

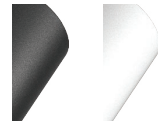


LUXPOINT® GU10 Spot Light

Datasheet



Colors:



Black White



Introducing our Adjustable GU10 Spot Light, Long Series with Rectangular Mounting Box. This versatile lighting solution is designed to provide exceptional illumination while offering flexibility and ease of installation. With its sleek design and adjustable functionality, it is perfect for a variety of residential and commercial settings.

Benefits

- Versatile Lighting Options
- Enhanced Ambiance
- Customizable Configurations
- Long-lasting Durability

Applications

- Homes
- Receptions
- Galleries
- Retail stores
- Restaurants
- Supermarkets

LUXPOINT® GU10 Spot Light

Technical Data



1. Single



2. Twin Rectanglar



3. Triple Rectanglar



4. Quad Rectanglar



5. Recessed



6. 2-Wire Track



7. 3-Phase Track

Electrical and Mechanical Specifications

	1. Single	2. Twin	3. Triple	4. Quad	5. Recessed	6. 2-Wire Track	7. 3-Phase Track	
Input Voltage	220-240V~ 50/60Hz							
Lampshade size	Height	110mm						
	Diameter	Ø54mm						
Dimensions	Height	176mm	176mm	176mm	176mm	173mm	183mm	195mm
	Diameter	Ø78mm						
	Width	90mm	246mm	426mm	606mm		145mm	138mm
Weight	340g	629g	950g	1360g	293g	234g	240g	
Housing	Iron					Iron & PC		

System Specifications

Power	AC mains
Control	ON / OFF
Installation	Surface, Recessed, Track mounted
Environment	Indoor (IP20)
Safety Approval	Electrical Protection Class I, RoHS

Due to the special conditions of manufacturing process of LED, the typical data of technical parameters can only reflect statistical figures and do not necessarily correspond to the actual parameters of each single product which could differ from typical data.

Exceeding maximum ratings for operation voltage will cause hazardous overload and will likely destroy the LED module.

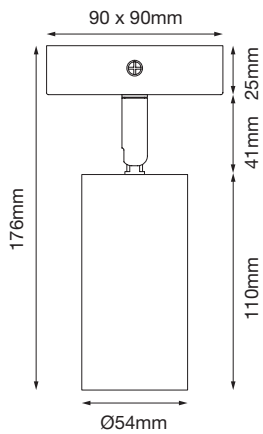
Exceeding maximum ratings for operation and storage temperature will reduce expected life time or destroy the LED module.

Specifications are subject to change without notice. Errors and omission excepted, always make sure to use the most recent release.

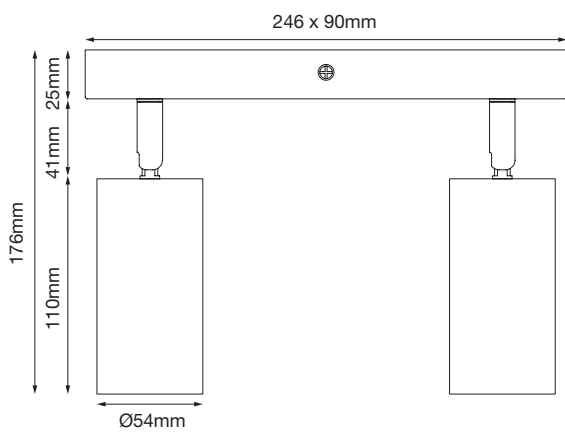
LUXPOINT® GU10 Spot Light

Dimension (Unit: mm)

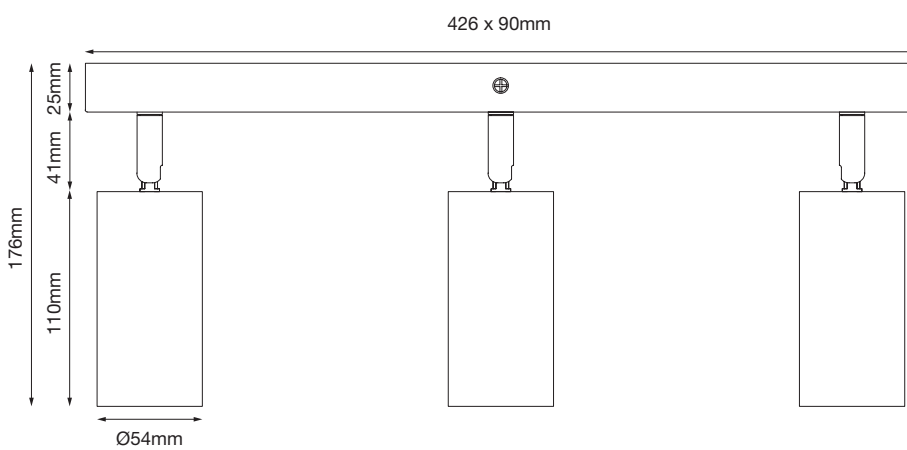
Single



Twin



Triple

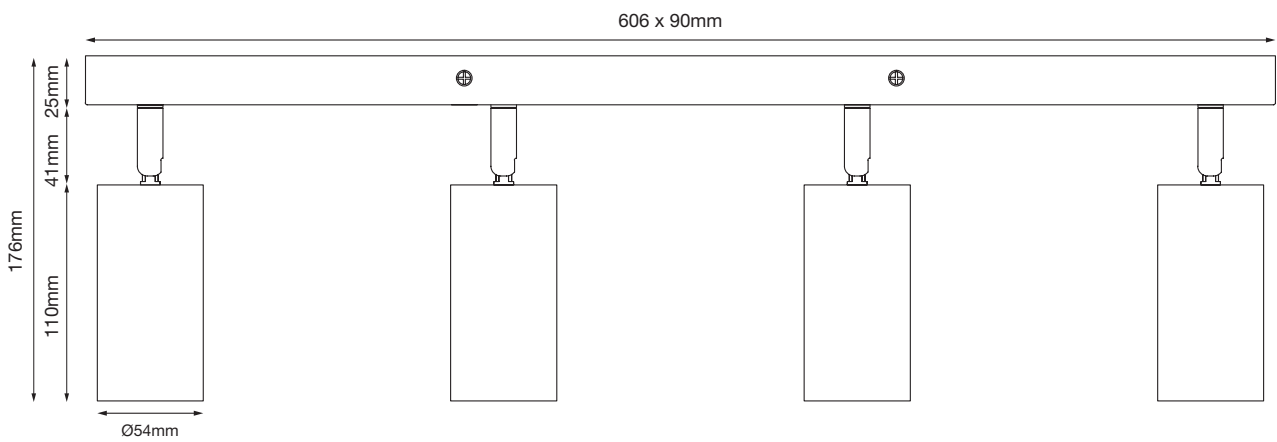


Specifications are subject to change without notice. Errors and omission excepted, always make sure to use the most recent release.

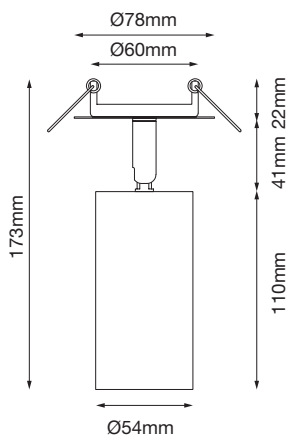
LUXPOINT® GU10 Spot Light

Dimension (Unit: mm)

Quad



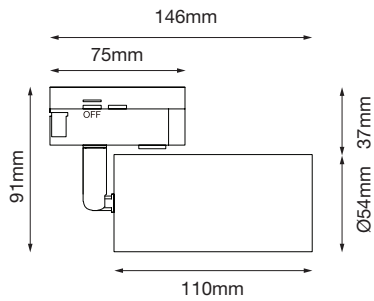
Recessed



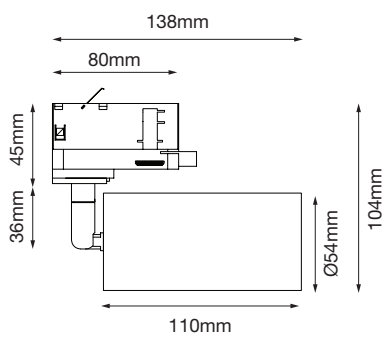
LUXPOINT® GU10 Spot Light

Dimension (Unit: mm)

2-Wire Track



3-Phase Track



LUXPOINT® GU10 Spot Light

Ordering codes

Fixture

Short Text	Type	Shape	Lamp base	Color	Item code	EAN-13
LP SP SG RTG GU10 SF BL	Single	Square	GU10	Black	TXGL25100036955	4895271100155
LP SP SG RTG GU10 SF WH	Single	Square	GU10	White	TXGL25100037055	4895271100162
LP SP TW RTG GU10 SF BL	Twin	Rectangular	GU10	Black	TXGL25100037155	4895271100179
LP SP TW RTG GU10 SF WH	Twin	Rectangular	GU10	White	TXGL25100037255	4895271100186
LP SP TP RTG GU10 SF BL	Triple	Rectangular	GU10	Black	TXGL25100037355	4895271100193
LP SP TP RTG GU10 SF WH	Triple	Rectangular	GU10	White	TXGL25100037455	4895271100209
LP SP QU RTG GU10 SF BL	Quad	Rectangular	GU10	Black	TXGL25100037555	4895271100216
LP SP QU RTG GU10 SF WH	Quad	Rectangular	GU10	White	TXGL25100037655	4895271100223
LP SP SG RND GU10 RD BL	Recessed	Round	GU10	Black	TXGL25100037755	4895271100230
LP SP SG RND GU10 RD WH	Recessed	Round	GU10	White	TXGL25100037855	4895271100247
LP SP SG TRK GU10 2W BL	2-Wire	Track	GU10	Black	TXGL25100037955	4895271100254
LP SP SG TRK GU10 2W WH	2-Wire	Track	GU10	White	TXGL25100038055	4895271100261
LP SP SG TRK GU10 4W BL	3-Phase	Track	GU10	Black	TXGL25100038155	4895271100278
LP SP SG TRK GU10 4W WH	3-Phase	Track	GU10	White	TXGL25100038255	4895271100285

Service contact:
 Traxon Technologies Ltd.
 Room 1604, 16/F, First Group Centre, 23 Wang Chiu Road,
 Kowloon Bay, Kowloon, Hong Kong, China
www.traxon-ecue.com

Traxon Technologies Europe GmbH
 Im Dörener Feld 8, 33100 Paderborn, Germany