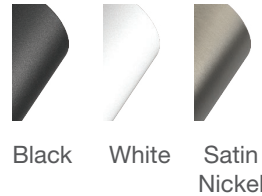


LUXPOINT® Classic GU10 Spot Light

Datasheet



Colors:



Elevate your lighting experience with our Adjustable GU10 Spot Light, part of our Classic Series. Designed to provide exceptional versatility and style, this spotlight is perfect for enhancing the ambiance of any space. Whether you're looking to create a warm and inviting atmosphere in your living room or highlight specific areas in a commercial setting, our Adjustable GU10 Spotlight is the ideal solution.

Benefits

- Versatile Lighting Options
- Highlight Your Favorites
- Long-lasting Durability
- Easy Installation & Maintenance
- Adjustable Angle

Applications

- Homes
- Receptions
- Galleries
- Retail stores
- Restaurants
- Parking garages
- Other demanding environments

LUXPOINT® GU10 Spot Light

Technical Data



1. Single



2. Twin Rod



3. Triple



4. Triple Rod



5. Quad Rod

Electrical and Mechanical Specifications

		1. Single	2. Twin Rod	3. Triple	4. Triple Rod	5. Quad Rod
Input Voltage		220-240V~ 50/60Hz				
Lampshade size	Height	81mm				
	Diameter	Ø57mm				
Dimensions	Height	122mm	147mm	122mm	147mm	147mm
	Width	80mm	304mm	268mm	504mm	704mm
Weight	Black/White	216g	462g	718g	659g	830g
	Satin Nickle	188g	402g	652g	565g	726g
Housing		Iron				

System Specifications

Power	AC mains
Control	ON / OFF
Installation	Surface mounted
Environment	Indoor (IP20)
Safety Approval	Electrical Protection Class I, RoHS

Due to the special conditions of manufacturing process of LED, the typical data of technical parameters can only reflect statistical figures and do not necessarily correspond to the actual parameters of each single product which could differ from typical data.

Exceeding maximum ratings for operation voltage will cause hazardous overload and will likely destroy the LED module.

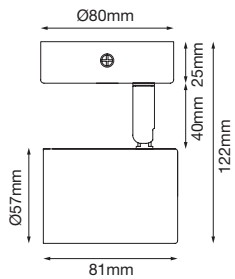
Exceeding maximum ratings for operation and storage temperature will reduce expected life time or destroy the LED module.

Specifications are subject to change without notice. Errors and omission excepted, always make sure to use the most recent release.

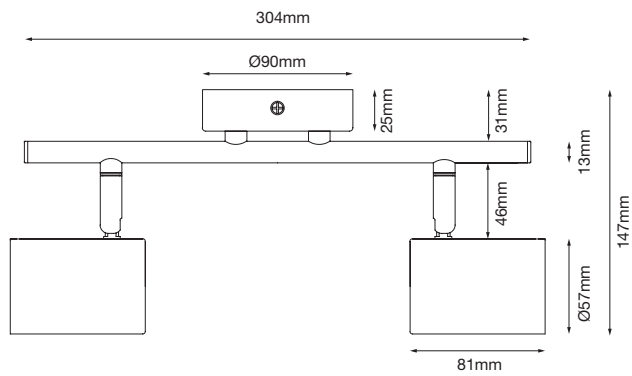
LUXPOINT® GU10 Spot Light

Dimension (Unit: mm)

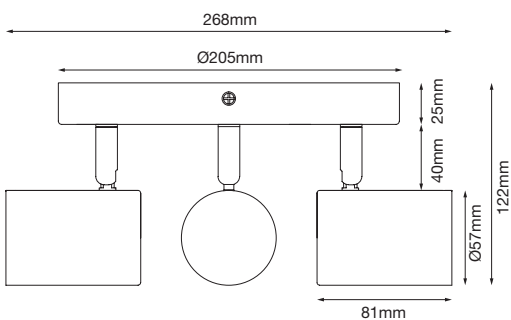
Single



Twin Rod



Triple



LUXPOINT® GU10 Spot Light

Ordering codes

Fixture

Short Text	Type	Shape	Lamp base	Color	Item code	EAN-13
LP SP SG RND GU10 SF BL	Single	Round	GU10	Black	TXGL25100035455	4895271100001
LP SP SG RND GU10 SF WH	Single	Round	GU10	White	TXGL25100035555	4895271100018
LP SP SG RND GU10 SF SN	Single	Round	GU10	Satin Nickel	TXGL25100035655	4895271100025
LP SP TW ROD GU10 SF BL	Twin Rod	Rod	GU10	Black	TXGL25100035755	4895271100032
LP SP TW ROD GU10 SF WH	Twin Rod	Rod	GU10	White	TXGL25100035855	4895271100049
LP SP TW ROD GU10 SF SN	Twin Rod	Rod	GU10	Satin Nickel	TXGL25100035955	4895271100056
LP SP TP RND GU10 SF BL	Triple	Round	GU10	Black	TXGL25100036055	4895271100063
LP SP TP RND GU10 SF WH	Triple	Round	GU10	White	TXGL25100036155	4895271100070
LP SP TP RND GU10 SF SN	Triple	Round	GU10	Satin Nickel	TXGL25100036255	4895271100087
LP SP TP ROD GU10 SF BL	Triple Rod	Rod	GU10	Black	TXGL25100036355	4895271100094
LP SP TP ROD GU10 SF WH	Triple Rod	Rod	GU10	White	TXGL25100036455	4895271100100
LP SP TP ROD GU10 SF SN	Triple Rod	Rod	GU10	Satin Nickel	TXGL25100036555	4895271100117
LP SP QU ROD GU10 SF BL	Quad Rod	Rod	GU10	Black	TXGL25100036655	4895271100124
LP SP QU ROD GU10 SF WH	Quad Rod	Rod	GU10	White	TXGL25100036755	4895271100131
LP SP QU ROD GU10 SF SN	Quad Rod	Rod	GU10	Satin Nickel	TXGL25100036855	4895271100148

Service contact:
 Traxon Technologies Ltd.
 Room 1604, 16/F, First Group Centre, 23 Wang Chiu Road,
 Kowloon Bay, Kowloon, Hong Kong, China
www.traxon-ecue.com

Traxon Technologies Europe GmbH
 Im Dörener Feld 8, 33100 Paderborn, Germany