

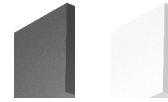


LUXPOINT® GU10 Spot Light

Datasheet



Colors:



Black White



The GU10 Adjustable Spot Light is a stylish and functional lighting solution designed to enhance any space. With its flexible head, it allows for precise direction of light, making it perfect for highlighting artwork, architectural features, or task areas. Compatible with GU10 bulbs, this spotlight offers energy efficiency and easy bulb replacement. Ideal for both residential and commercial environments, it seamlessly combines modern aesthetics with practical illumination to elevate your interior design.

Benefits

- Versatile Lighting Options
- Enhanced Ambiance
- Customizable Configurations
- Long-lasting Durability
- Adjustable Angle

Applications

- Homes
- Receptions
- Galleries
- Retail stores
- Restaurants
- Other demanding environments

LUXPOINT® GU10 Spot Light

Technical Data



1. Square



2. Round

Electrical and Mechanical Specifications

	1.Square	2. Round
Input Voltage	220-240V~ 50/60Hz	
Dimensions	Height	Ø81mm
	Width	Ø83mm
	Depth	85mm
Weight	275g	205g
Housing	Aluminum	

System Specifications

Power	AC mains
Control	ON / OFF
Installation	Surface
Environment	Indoor (IP20)
Safety Approval	Electrical Protection Class I, RoHS

Due to the special conditions of manufacturing process of LED, the typical data of technical parameters can only reflect statistical figures and do not necessarily correspond to the actual parameters of each single product which could differ from typical data.

Exceeding maximum ratings for operation voltage will cause hazardous overload and will likely destroy the LED module.

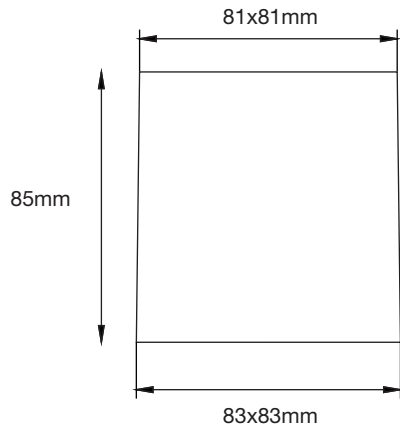
Exceeding maximum ratings for operation and storage temperature will reduce expected life time or destroy the LED module.

Specifications are subject to change without notice. Errors and omission excepted, always make sure to use the most recent release.

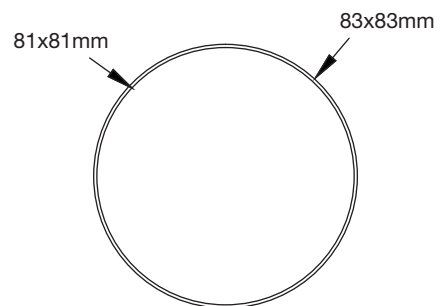
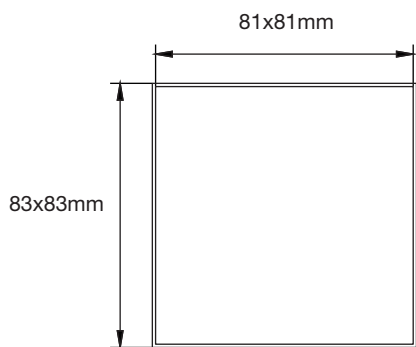
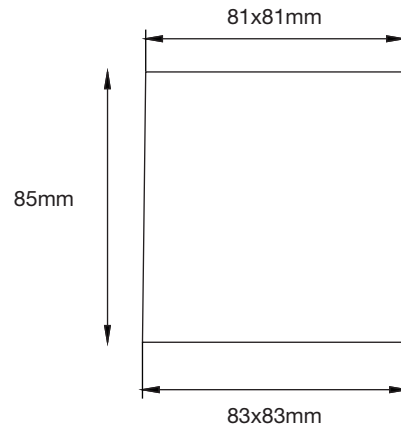
LUXPOINT® GU10 Spot Light

Dimension (Unit: mm)

Square



Round



LUXPOINT® GU10 Spot Light

Ordering codes

Fixture

Short Text	Type	Shape	Lamp base	Color	Item code	EAN-13
LP SP SQ ADJ GU10 SF BL	Single	Square	GU10	Black	TXGL25100043055	4897135737736
LP SP SQ ADJ GU10 SF WH	Single	Square	GU10	White	TXGL25100043155	4897135737743
LP SP RND ADJ GU10 SF BL	Single	Round	GU10	Black	TXGL25100043255	4897135737750
LP SP RND ADJ GU10 SF WH	Single	Round	GU10	White	TXGL25100043355	4897135737767

Service contact:
Traxon Technologies Ltd.
Room 1604, 16/F, First Group Centre, 23 Wang Chiu Road,
Kowloon Bay, Kowloon, Hong Kong, China
www.traxon-ecue.com

Traxon Technologies Europe GmbH
Im Dörener Feld 8, 33100 Paderborn, Germany