



LUXPOINT® LED Dimmable Glass GU10

Datasheet



The LED Glass GU10 bulbs deliver bright, high-quality light, resembling daylight. Featuring a Dim-to-Cozy function, it can create a cozy ambiance. The glass design mimics halogen aesthetics while using 80-90% less energy. Effective heat dissipation ensures durability, and dimmable options create versatile ambiance. Ideal for homes, galleries, or retail, it offers flicker-free, eco-friendly lighting with no UV emissions, enhancing visual clarity and comfort.

Benefits

- Energy Efficiency
- Environmentally Friendly
- Easy Installation
- Wide Range of Application

Applications

- Home
- Hotel
- Shops
- Restaurant
- Other demanding environments

LUXPOINT® LED Dimmable Glass GU10

Technical Data

Optical Specifications

Wattage		4.7W
Luminous Flux@CCT	2700K - 2200K	450lm
Luminous Intensity(cd)		180cd
Efficacy		90lm/W
Replacement		75W
Flickering metric (Pst LM)		<1
Stroboscope effect metric (SVM)		<0.4
CRI		≥90
SDCM		< 6
Beam Angle		100°
Photobiological safety group acc. To EN62778		RG0
Photobiological safety group acc. To EN62471		RG0
Dimmable		Yes

Electrical and Mechanical Specifications

Input Voltage		220-240V ~50/60Hz
Nominal Current		55mA
Inrush current time Th50		12µs@1A
Power Factor		0.5
Max. number of luminaires per miniature circuit breaker	B16	357
	C10	223
	C16	357
Dimensions		D 50mm H 53mm
Weight		41g
Housing		Glass
Diffuser		Glass
Replaceable light source		No
Replaceable Control gear		No
Glow wire test according to IEC60695-2-12		650°C

System Specifications

Power	AC mains
Operating Temperature	-10°C ~ 45°C
Storage Temperature	-20°C ~ 60°C
Lifespan L70/B50 at 45°C	15,000 hours
Number of switching cycles	100,000
Environment	Indoor
Safety Approval	CE, UKCA, RoHS
Mercury content	0.0mg
Energy consumption	5kWh/1000h
Energy efficiency class	F
Warranty	2 years

Accessories



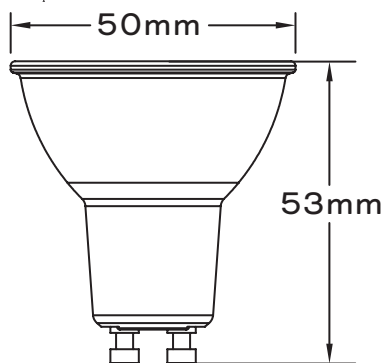
Lamp Base



Lamp Base with Terminal box

LUXPOINT® LED Dimmable Glass GU10

Dimension



Due to the special conditions of manufacturing process of LED, the typical data of technical parameters can only reflect statistical figures and do not necessarily correspond to the actual parameters of each single product which could differ from typical data.

Exceeding maximum ratings for operation voltage will cause hazardous overload and will likely destroy the LED module.

Exceeding maximum ratings for operation and storage temperature will reduce expected life time or destroy the LED module.

Specifications are subject to change without notice. Errors and omission excepted, always make sure to use the most recent release.

LUXPOINT® LED Dimmable Glass GU10

Ordering codes

Fixture

Short Text	Wattage	CCT	Lumen	Beam Angle	Luminous Intensity(cd)	Item code	EAN-13
LP GU10 4.7W 822-27 100 DTC	4.7W	2700K-2200K	450lm	100°	180cd	TXGL25100045255	4897135738290

Accessories



Lamp Base



Lamp Base with Terminal box

Short Text	Item code	EAN-13
GU10 Lamp Base, Wire: 2*0.75mm ² , 150mm white	TXGA25100050755	4897135738955
GU10 Lamp Base, Wire: 2*0.75mm ² , 150mm White, Black Terminal Box	TXGA25100050855	4897135738962

Service contact:
Traxon Technologies Ltd.
Room 1604, 16/F, First Group Centre, 23 Wang Chiu Road,
Kowloon Bay, Kowloon, Hong Kong, China
www.traxon-ecue.com

Traxon Technologies Europe GmbH
Im Dörener Feld 8, 33100 Paderborn, Germany