

LUXPOINT® LED Glass GU10

Datasheet



The LED Glass GU10 bulbs with CRI90 offer vibrant, true-to-life colors, closely resembling natural daylight. The glass design mimics traditional halogen aesthetics while consuming 80-90% less energy. Efficient heat dissipation enhances durability, and the eco-friendly design emits no UV radiation. Perfect for homes, galleries, or retail, it provides flicker-free, high-quality lighting for enhanced visual clarity and comfort.

Benefits

- Energy Efficiency
- Environmentally Friendly
- Easy Installation
- Wide Range of Application

Applications

- Home
- Hotel
- Shops
- Restaurant
- Other demanding environments

LUXPOINT® LED Glass GU10

Technical Data

Optical Specifications

Wattage	6W	
Luminous Flux @CCT	2700K	460lm
	3000K	460lm
	4000K	460lm
	6500K	460lm
Luminous Intensity(cd)	940cd	
Efficacy	76lm/W	
Replacement	50W	
Flickering metric (Pst LM)	<1	
Stroboscope effect metric (SVM)	<0.4	
CRI	≥90	
SDCM	< 6	
Beam Angle	36°	
Photobiological safety group acc. To EN62778	RG0	
Photobiological safety group acc. To EN62471	RG0	
Dimmable	No	

Electrical and Mechanical Specifications

Input Voltage	220-240V ~50/60Hz	
Nominal Current	55mA	
Inrush current time Th50	1.6µs@2A	
Power Factor	0.5	
Max. number of luminaires per miniature circuit breaker	B16	355
	C10	222
	C16	355
Dimensions	D 50mm H 53mm	
Weight	41g	
Housing	Glass	
Diffuser	Glass	
Replaceable light source	No	
Replaceable Control gear	No	
Glow wire test according to IEC60695-2-12	650°C	

System Specifications

Power	AC mains
Operating Temperature	-10°C ~ 45°C
Storage Temperature	-20°C ~ 60°C
Lifespan L70/B50 at 45°C	15,000 hours
Number of switching cycles	100,000
Environment	Indoor
Safety Approval	CE, UKCA, RoHS
Mercury content	0.0mg
Energy consumption	6kWh/1000h
Energy efficiency class	F
Warranty	2 years

Accessories



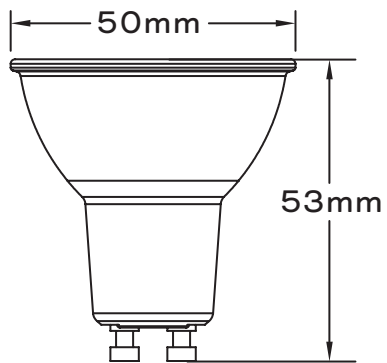
Lamp Base



Lamp Base with Terminal box

LUXPOINT® LED Glass GU10

Dimension



Due to the special conditions of manufacturing process of LED, the typical data of technical parameters can only reflect statistical figures and do not necessarily correspond to the actual parameters of each single product which could differ from typical data.

Exceeding maximum ratings for operation voltage will cause hazardous overload and will likely destroy the LED module.

Exceeding maximum ratings for operation and storage temperature will reduce expected life time or destroy the LED module.

Specifications are subject to change without notice. Errors and omission excepted, always make sure to use the most recent release.

LUXPOINT® LED Glass GU10

Ordering codes

Fixture

Short Text	Wattage	CCT	Lumen	Beam Angle	Luminous Intensity(cd)	Item code	EAN-13
LP GU10 6W 927 36	6W	2700K	460lm	36°	940cd	TXGL25100044455	4897135738214
LP GU10 6W 930 36	6W	3000K	460lm	36°	940cd	TXGL25100044555	4897135738221
LP GU10 6W 940 36	6W	4000K	460lm	36°	940cd	TXGL25100044655	4897135738238
LP GU10 6W 965 36	6W	6500K	460lm	36°	940cd	TXGL25100044755	4897135738245

Accessories



Lamp Base



Lamp Base with Terminal box

Short Text	Item code	EAN-13
GU10 Lamp Base, Wire: 2*0.75mm ² , 150mm white	TXGA25100050755	4897135738955
GU10 Lamp Base, Wire: 2*0.75mm ² , 150mm White, Black Terminal Box	TXGA25100050855	4897135738962

Service contact:
Traxon Technologies Ltd.
Room 1604, 16/F, First Group Centre, 23 Wang Chiu Road,
Kowloon Bay, Kowloon, Hong Kong, China
www.traxon-ecue.com

Traxon Technologies Europe GmbH
Im Dörener Feld 8, 33100 Paderborn, Germany