



# LUXPOINT® LED GU10

## Datasheet



LED GU10 bulbs with 60° and 120° beam angles offer efficient, directional lighting. The 15° & 60° angle provides focused illumination, ideal for accentuating objects or smaller areas, while the 120° angle ensures wide coverage for general room lighting. Constructed from durable thermoplastic, they dissipate heat effectively, enhancing lifespan. Benefits include up to 90% energy savings, instant brightness, and eco-friendly operation with no UV or thermal radiation, making them perfect for homes and commercial spaces.

### Benefits

- Energy Efficiency
- Excellent thermal conductivity
- Environmentally Friendly
- Easy Installation
- Wide Range of Application

### Applications

- Home
- Hotel
- Shops
- Restaurant
- Other demanding environments

# LUXPOINT® LED GU10

## Technical Data

### Optical Specifications

<b>Wattage</b>		4W		4.9W		7W
<b>Luminous Flux @CCT</b>	<b>2700K</b>	345lm	360lm	450lm	-	-
	<b>3000K</b>	345lm	360lm	450lm	580lm	600lm
	<b>4000K</b>	345lm	360lm	450lm	600lm	600lm
	<b>6500K</b>	345lm	360lm	450lm	600lm	600lm
<b>Luminous Intensity(cd)</b>		390cd	160cd	2650cd	750cd	220cd
<b>Efficacy</b>		86lm/W	90lm/W	92lm/W	83 - 86lm/W	86lm/W
<b>Replacement</b>		50W	50W	50W	75W	75W
<b>Flickering metric (Pst LM)</b>		<1				
<b>Stroboscope effect metric (SVM)</b>		<0.4				
<b>CRI</b>		≥80				
<b>SDCM</b>		< 6				
<b>Beam Angle</b>		60°	120°	15°	60°	120°
<b>Photobiological safety group acc. To EN62778</b>		RG0				
<b>Photobiological safety group acc. To EN62471</b>		RG0				
<b>Dimmable</b>		No				

### Electrical and Mechanical Specifications

<b>Input Voltage</b>		220-240V ~50/60Hz				
<b>Nominal Current</b>		34mA	34mA	40mA	60mA	60mA
<b>Inrush current time Th50</b>		2µs@5A	2µs@5A	4µs@5A	3.2µs@10A	3.2µs@10A
<b>Power Factor</b>		0.5				
<b>Max. number of luminaires per miniature circuit breaker</b>	<b>B16</b>	151	151	149	149	78
	<b>C10</b>	120	120	119	119	62
	<b>C16</b>	192	192	190	190	100
<b>Dimensions</b>		D 50mm	D 50mm	D 50mm	D 50mm	D 50mm
		H 54mm	H 56mm	H 54mm	H 54mm	H 56mm
<b>Weight</b>		20g	20g	20g	21g	19g
<b>Housing</b>		Polycarbonate(PC)				
<b>Diffuser</b>		Polystyrene (PS)				
<b>Replaceable light source</b>		No				
<b>Replaceable Control gear</b>		No				
<b>Glow wire test according to IEC60695-2-12</b>		650°C				

### System Specifications

<b>Power</b>	AC mains
<b>Operating Temperature</b>	-10°C ~ 45°C
<b>Storage Temperature</b>	-20°C ~ 60°C
<b>Lifespan L70/B50 at 45°C</b>	15,000 hours
<b>Number of switching cycles</b>	100,000
<b>Environment</b>	Indoor
<b>Safety Approval</b>	CE, UKCA, RoHS
<b>Mercury content</b>	0.0mg
<b>Energy consumption</b>	7kWh/1000h
<b>Energy efficiency class</b>	F
<b>Warranty</b>	2 years

### Accessories



Lamp Base

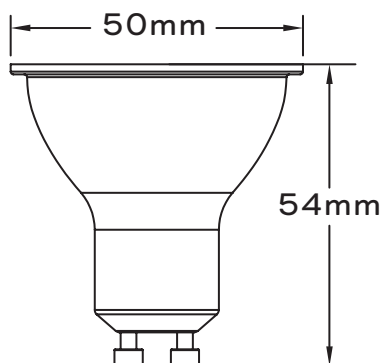


Lamp Base with Terminal box

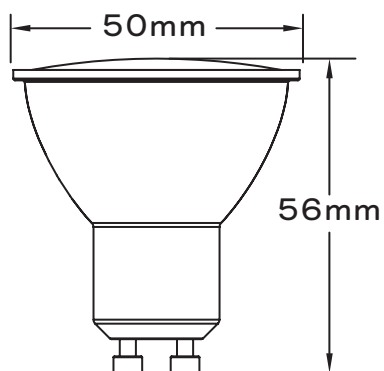
# LUXPOINT® LED GU10

## Dimension

4.9W(15°) / 4W/7W (60°)



4W/7W (120°)



Due to the special conditions of manufacturing process of LED, the typical data of technical parameters can only reflect statistical figures and do not necessarily correspond to the actual parameters of each single product which could differ from typical data.

Exceeding maximum ratings for operation voltage will cause hazardous overload and will likely destroy the LED module.

Exceeding maximum ratings for operation and storage temperature will reduce expected life time or destroy the LED module.

Specifications are subject to change without notice. Errors and omission excepted, always make sure to use the most recent release.

# LUXPOINT® LED GU10

## Ordering codes

### Fixture

Short Text	Wattage	CCT	Lumen	Beam Angle	Luminous Intensity(cd)	Item code	EAN-13
LP GU10 4W 827 120	4W	2700K	360lm	120°	160cd	TXGL25100118155	4895271101886
LP GU10 4W 830 120	4W	3000K	360lm	120°	160cd	TXGL25100118255	4895271101893
LP GU10 4W 840 120	4W	4000K	360lm	120°	160cd	TXGL25100118355	4895271101909
LP GU10 4W 865 120	4W	6500K	360lm	120°	160cd	TXGL25100118455	4895271101916
LP GU10 4W 827 60	4W	2700K	345lm	60°	390cd	TXGL25100118555	4895271101923
LP GU10 4W 830 60	4W	3000K	345lm	60°	390cd	TXGL25100118655	4895271101930
LP GU10 4W 840 60	4W	4000K	345lm	60°	390cd	TXGL25100118755	4895271101947
LP GU10 4W 865 60	4W	6500K	345lm	60°	390cd	TXGL25100118855	4895271101954
LP GU10 4.9W 827 15	4.9W	2700K	450lm	15°	2650cd	TXGL25100118955	4895271101961
LP GU10 4.9W 830 15	4.9W	3000K	450lm	15°	2650cd	TXGL25100119055	4895271101978
LP GU10 4.9W 840 15	4.9W	4000K	450lm	15°	2650cd	TXGL25100119155	4895271101985
LP GU10 4.9W 865 15	4.9W	6500K	450lm	15°	2650cd	TXGL25100119255	4895271101992
LP GU10 7W 830 120	7W	3000K	600lm	120°	750cd	TXGL25100034855	4897135737675
LP GU10 7W 840 120	7W	4000K	600lm	120°	750cd	TXGL25100034955	4897135737682
LP GU10 7W 865 120	7W	6500K	600lm	120°	750cd	TXGL25100035055	4897135737699
LP GU10 7W 830 60	7W	3000K	580lm	60°	220cd	TXGL25100035155	4897135737705
LP GU10 7W 840 60	7W	4000K	600lm	60°	220cd	TXGL25100035255	4897135737712
LP GU10 7W 865 60	7W	6500K	600lm	60°	220cd	TXGL25100035355	4897135737729

### Accessories



Lamp Base



Lamp Base with Terminal box

Short Text	Item code	EAN-13
GU10 Lamp Base, Wire: 2*0.75mm <sup>2</sup> , 150mm white	TXGA25100050755	4897135738955
GU10 Lamp Base, Wire: 2*0.75mm <sup>2</sup> , 150mm White, Black Terminal Box	TXGA25100050855	4897135738962

Service contact:  
 Traxon Technologies Ltd.  
 Room 113, Wireless Centre, 3 Science Park East Avenue, Shatin,  
 Hong Kong, China  
[www.traxon-ecue.com](http://www.traxon-ecue.com)

Traxon Technologies Europe GmbH  
 Karl-Schurz-Str. 38, 33100 Paderborn, Germany