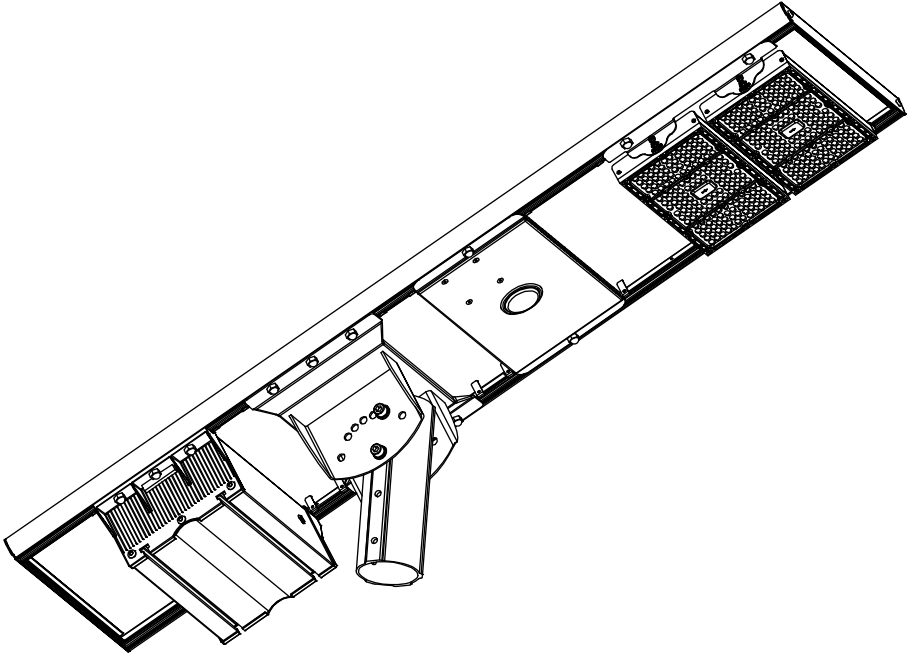


SIMPLITZ®

Solar Streetlight Integrated



- Please read instruction carefully before assembling and installation
- Please keep instruction as reference in the future



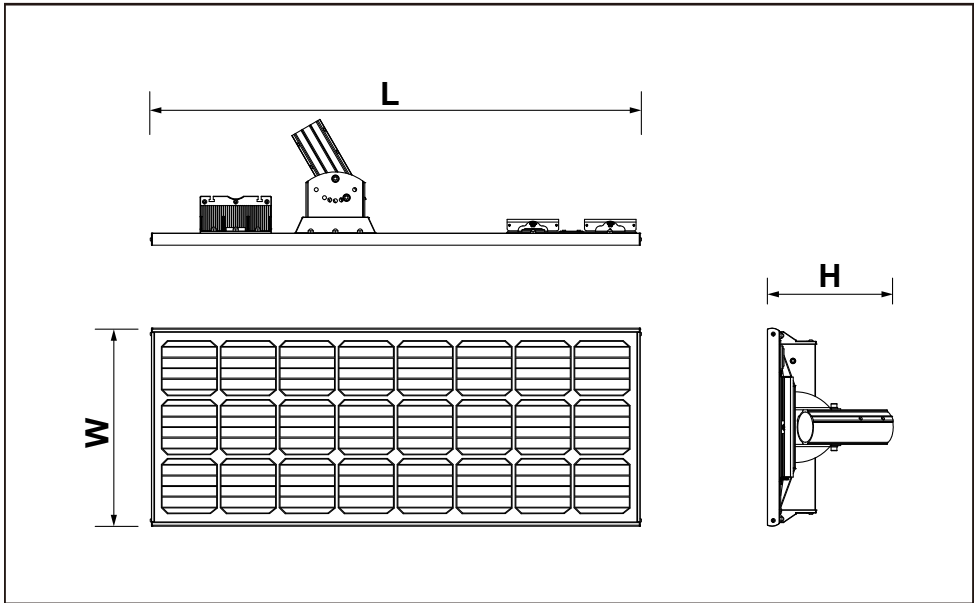
TRAXON | ecue

MEMBER OF PROSPERITY GROUP

www.traxon-ecue.com

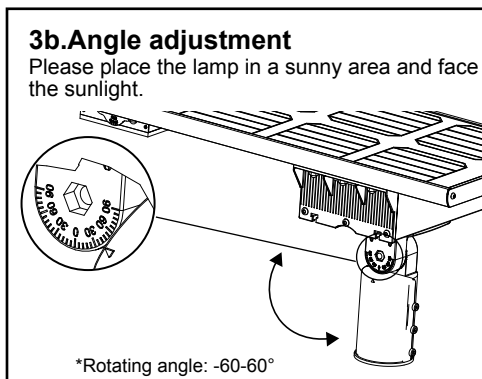
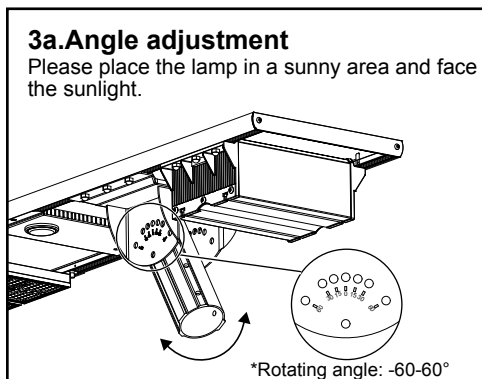
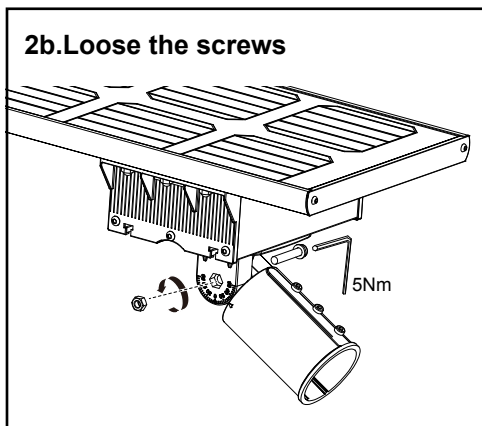
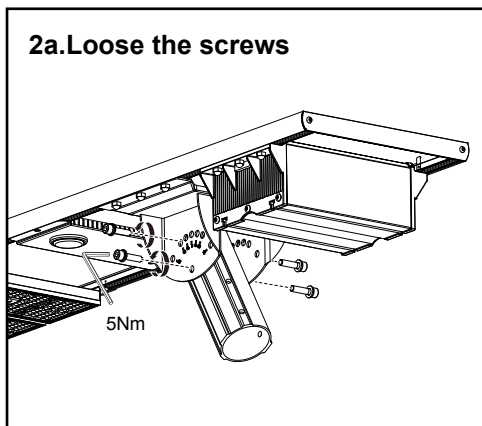
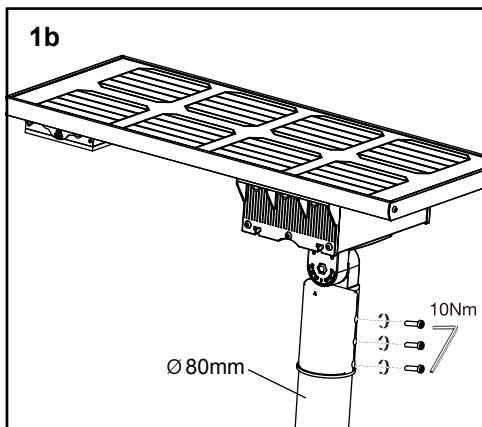
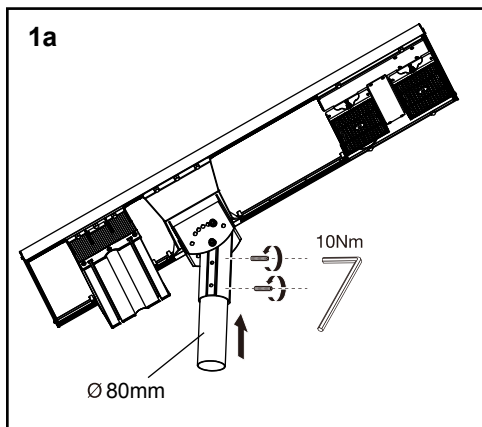
OSRAM

SIMPLITZ[®] Solar Streetlight Integrated

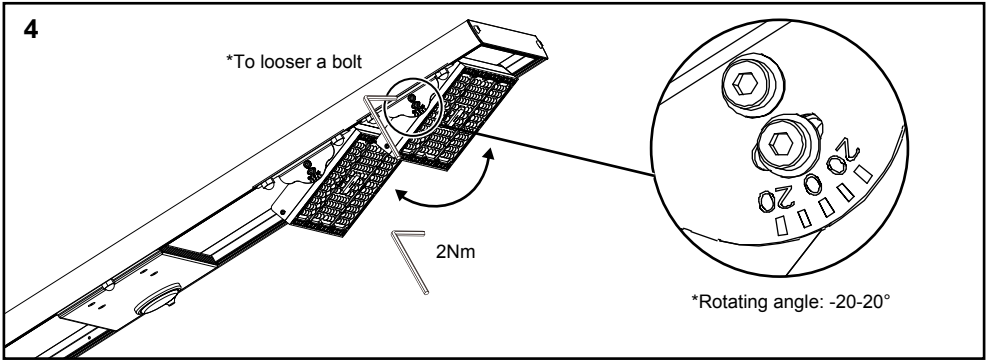


Model	L (mm)	W (mm)	H (mm)	Wattage (W)	Battery Voltage (V)	Installation height (m)	Weight (Kg)	Maximum projected area (m ²)		IP	ta
								Front	Side		
SIM Solar ST Integrated 30W	506	348	133	30W	12V	6-9	11.5	0.178	0.065	65	45°C
SIM Solar ST Integrated 40W	686	348	133	40W	12V		12.8	0.242	0.088		
SIM Solar ST Integrated 50W	806	348	133	50W	12V	8-11	13.9	0.285	0.104		
SIM Solar ST Integrated 70W	1056	348	133	70W	12V		16.4	0.374	0.137		
SIM Solar ST Integrated 85W	1296	348	133	85W	12V	9-12	18	0.463	0.169		
SIM Solar ST Integrated 100W	906	538	133	100W	24V		18.1	0.529	0.189		
SIM Solar ST Integrated 30W Pro	806	348	133	30W	12V	6-9	14.5	0.285	0.104		
SIM Solar ST Integrated 40W Pro	1296	348	133	40W	12V		17.7	0.463	0.169		
SIM Solar ST Integrated 50W Pro	906	538	133	50W	12V	8-11	18.1	0.529	0.189		
SIM Solar ST Integrated 70W Pro	1156	538	133	70W	12V		21.3	0.598	0.150		
SIM Solar ST Integrated 85W Pro	1326	538	133	85W	12V	9-12	23.6	0.676	0.169		
SIM Solar ST Integrated 100W Pro	1706	538	133	100W	24V		30.3	0.884	0.221		

SIMPLITZ® Solar Streetlight Integrated

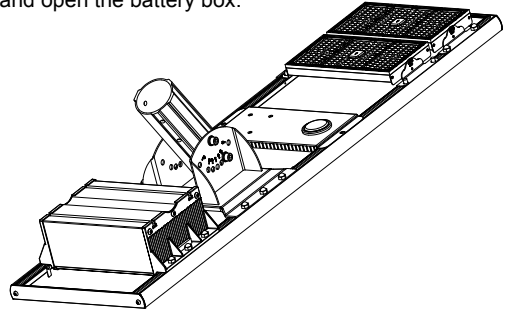
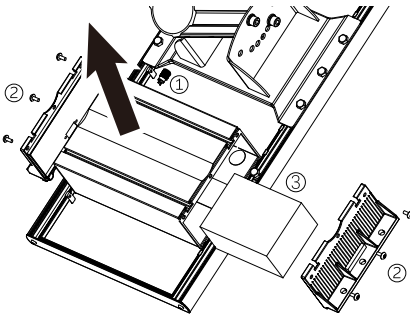


SIMPLITZ® Solar Streetlight Integrated

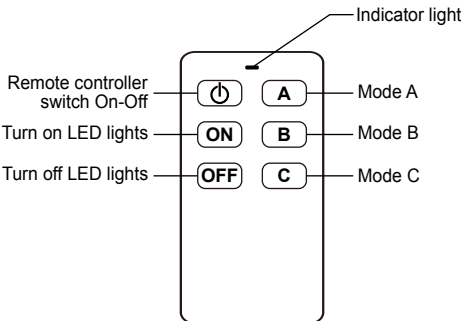


Battery Maintenance

- ① Remove waterproof connector from controller.
- ② Remove the 6 screws from the battery box and open the battery box.
- ③ Replace the battery.



Remote control instructions



Mode declaration

Mode A General Edition:

First 2 Hrs - On motion: 70%, without motion :20%;
 Next 3 Hrs - On motion: 40%, without motion :10%;
 Next 6 Hrs - On motion: 20%, without motion :10% ;
 Rest of the Night - On motion: 35%, without motion :20%

Mode B Premium Edition:

First 2 Hrs - On motion: 100%, without motion: 30%;
 Next 3 Hrs - On motion: 60%, without motion: 20%;
 Next 5 Hrs - On motion: 30%, without motion: 10% ;
 Rest of the Night - On motion: 50%, without motion :20%

Mode C

Customize per requirements.

WARNING :

- 1.The light source of this luminaire is not replaceable: when the light source reaches its end of working lifetime, the whole luminaire should be replaced.
- 2.This luminaire cannot be disassembled by non professional personnel.
- 3.The maximum installation height of the luminaire is 12 meters.
- 4.Luminaires are suitable for outdoor use.
- 5.Ensure the solar panels receive adequate sunlight, the tilt angle should be adjusted according to the local latitude, typically between 30 and 45, and oriented towards true south.
6. After installation, conduct a system test to ensure that the solar panels are generating power properly, the batteries are storing power correctly, and the LED lights are functioning normally.
7. Periodically check the cleanliness of the solar panels, removing dust and debris to ensure charging efficiency.
8. Regularly inspect the battery's charge level and condition, and replace it if necessary.

Traxon Technologies Ltd.

Room 113, wireless centre, 3 Science Park East Avenue, Shatin, Hong Kong

Traxon Technologies Europe GmbH

Karl-Schurz-Str.38, 33100 Paderborn, Germany

Traxon Lighting Company Limited

B402 - B421, Building 6, Northwest Shenjiu Science and Technology Pioneer Park, the intersection of Taohua Road and Binglang Road, Fubao Community, Fubao Street, Futian District, Shenzhen

IP65



TRAXON | ecue

MEMBER OF PROSPERITY GROUP

www.traxon-ecue.com

OSRAM