

# SIMPLITZ<sup>®</sup> Street Light V2 Pro

## Datasheet



### **CB** **IK08**

SIMPLITZ<sup>®</sup> Street Light V2 Pro Edition is OSRAM's advanced street light, featuring a 10 year warranty, and easy to connect to intelligent street lamp controllers providing perfect access to the smart city control system with DALI and 0-10V dimming functions. With a streamlined appearance and humanized structure, with precise optical design, extra-long lifetime, to provide beautiful, reliable, energy-saving lighting solutions for street lighting solutions, ensuring street safety and pedestrian comfort. SIMPLITZ<sup>®</sup> Street Light V2 Pro Edition is suitable for the lighting application of various streets, such as urban express way and urban major road.

### Benefits

Comprehensive features

- 10 years warranty
- Lumen maintenance L80-100,000 hours
- Robust aluminum body
- Operating temperature: -40°C to +55°C
- Independent 10KV surge protection
- PC lens + Tempered glass

Perfectly integrated into smart city control

- NEMA interface for smart street controller
- 0-10V Dim and DALI Dim
- Flicker free

Easy to maintain

- All components can be easily replaced
- Suitable for mounting on to a Ø40~60mm diameter pole
- ±10% Tilt angle adjustability
- Separate spigot enables side-entry and post-top installations

### Applications

- Urban street lighting (Express way, Major road, Collector road, Local road)
- Residential road lighting
- Commercial district road lighting
- Industrial areas road lighting
- Rural road lighting
- Parking lot lighting

# SIMPLITZ® Street Light V2 Pro

## Technical Data

### Optical Specifications

	Micro		Mini			Midi		Maxi				
Power	30W	60W	90W	120W	150W	180W	210W	240W	270W	300W	330W	
Luminous Flux	@3000K	4050 lm	8100 lm	12150 lm	16200 lm	20250 lm	24300 lm	28350 lm	32400 lm	36450 lm	40500 lm	44550 lm
	@4000K	4200 lm	8400 lm	12600 lm	16800 lm	21000 lm	25200 lm	29400 lm	33600 lm	37800 lm	42000 lm	46200 lm
	@5700K	4350 lm	8700 lm	13050 lm	17400 lm	21750 lm	26100 lm	30450 lm	34800 lm	39150 lm	43500 lm	47850 lm
Efficacy	@3000K	Up to 135 lm/W										
	@4000K	Up to 140 lm/W										
	@5700K	Up to 145 lm/W										
CCT	3000K, 4000K, 5700K, other on request											
CRI	CRI 70, other on request											
SDCM	5											
Beam Angle	SNB (155° x 55°), SMB (150° x 68°), SWB (150° x 40°)											

### Electrical and Mechanical Specifications

Input Voltage	100-240V AC 50/60Hz											
Power Consumption	30W	60W	90W	120W	150W	180W	210W	240W	270W	300W	330W	
Power Factor	>0.95											
Total Harmonic Distortion	≤10%											
Surge protection	Independent surge protection device, Line-to-line 10KV, line-to-ground 10KV											
Dimension (mm)	488 x 287x 103			635 x 287 x 103			705 x 331 x 113		860 x 331 x 113			
Weight (kg)	4.8			6.3			8.7		10.8			
Optical	PC (Polycarbonate) + Toughened glass											
Housing	ADC12 Aluminum											
Color	RAL 9006											

### System Specifications

Power	AC power, 100-240VAC 50/60Hz											
Control	0-10V Dim, DALI Dim											
Mounting	Side-entry or Post-top mounting											
Operating Temperature	-40°C to +55°C											
Storage Temperature	-40°C to +80°C											
Environment	IP66 / IK08											
Lumen Maintenance	L80-100,000hours											
Warranty	10 Years											
Safety Approval	Electrical Protection Class I, CQC, CB											

Due to the special conditions of manufacturing process of LED, the typical data of technical parameters can only reflect statistical figures and do not necessarily correspond to the actual parameters of each single product which could differ from typical data.

Exceeding maximum ratings for operation voltage will cause hazardous overload and will likely destroy the LED module.

Exceeding maximum ratings for operation and storage temperature will reduce expected life time or destroy the LED module.

OSRAM is a trademark of OSRAM GmbH.

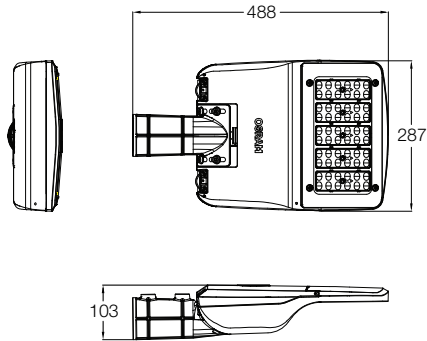
Traxon is the exclusive licensee of product trademark OSRAM for Professional General Lighting products in Mainland China, Hong Kong and Macau, additional fixed list of General Lighting products globally.

Specifications are subject to change without notice. Errors and omission excepted, always make sure to use the most recent release.

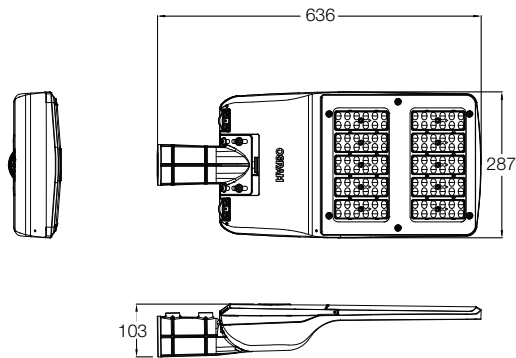
# SIMPLITZ® Street Light V2 Pro

Dimensions (Unit: mm)

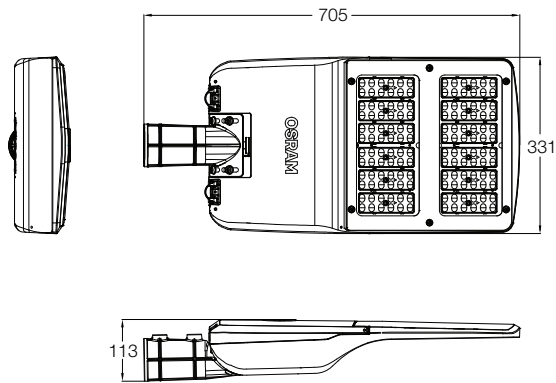
Micro 30W / 60W / 90W



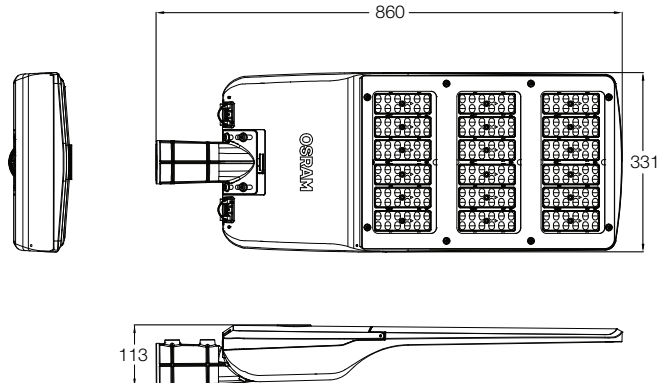
Mini 120W-150W



Midi 180W-210W



Maxi 240W / 270W / 300W / 330W



OSRAM is a trademark of OSRAM GmbH.

Traxon is the exclusive licensee of product trademark OSRAM for Professional General Lighting products in Mainland China, Hong Kong and Macau, additional fixed list of General Lighting products globally.

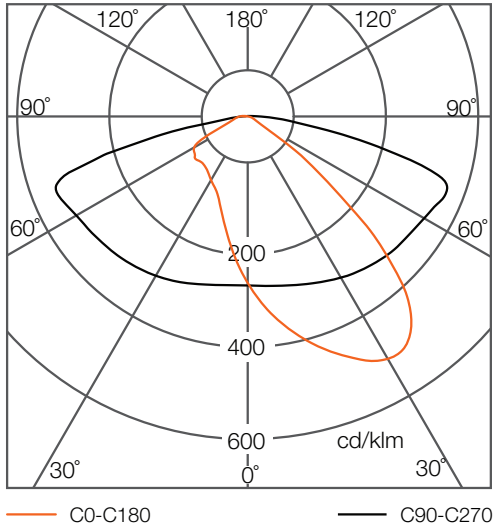
Specifications are subject to change without notice. Errors and omission excepted, always make sure to use the most recent release.

# SIMPLITZ® Street Light V2 Pro

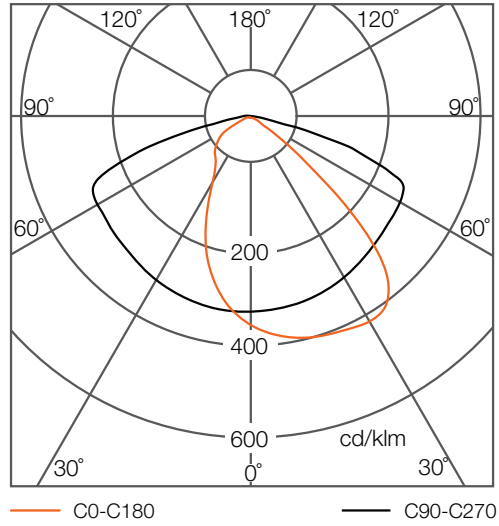
## Photometrics

### Light Distribution Curve

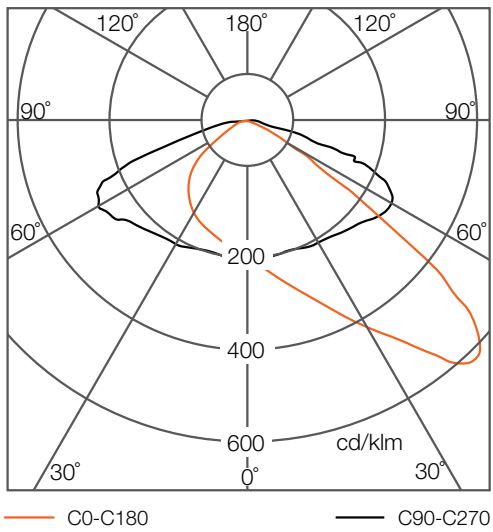
SNB (155° x 55°)



SMB (150° x 68°)



SWB (150° x 40°)



Due to the manufacturing processes of LED, the polar candela distribution and distance luminaries only reflect statistical figures and do not necessarily correspond to the actual parameters of individual product that may differ from the typical values.

OSRAM is a trademark of OSRAM GmbH.

Traxon is the exclusive licensee of product trademark OSRAM for Professional General Lighting products in Mainland China, Hong Kong and Macau, additional fixed list of General Lighting products globally.

Specifications are subject to change without notice. Errors and omission excepted, always make sure to use the most recent release.

# SIMPLITZ® Street Light V2 Pro

## Ordering Codes

### Fixture (DALI Dimming)

Short Text	Power	CCT	Beam	Control	IC
SIM ST V2P 30W 730 SNB DA VS2 OSRAM	30W	3000K	SNB (155°x55°)	DALI 2	GL24100877755
SIM ST V2P 30W 730 SNB DA NEMA VS2 OSRAM	30W	3000K	SNB (155°x55°)	DALI 2&NEMA	GL24100877855
SIM ST V2P 30W 740 SNB DA VS2 OSRAM	30W	4000K	SNB (155°x55°)	DALI 2	GL24100877955
SIM ST V2P 30W 740 SNB DA NEMA VS2 OSRAM	30W	4000K	SNB (155°x55°)	DALI 2&NEMA	GL24100878055
SIM ST V2P 30W 757 SNB DA VS2 OSRAM	30W	5700K	SNB (155°x55°)	DALI 2	GL24100878155
SIM ST V2P 30W 757 SNB DA NEMA VS2 OSRAM	30W	5700K	SNB (155°x55°)	DALI 2&NEMA	GL24100878255
SIM ST V2P 50W 730 SNB DA VS2 OSRAM	50W	3000K	SNB (155°x55°)	DALI 2	GL24100878355
SIM ST V2P 50W 730 SNB DA NEMA VS2 OSRAM	50W	3000K	SNB (155°x55°)	DALI 2&NEMA	GL24100878455
SIM ST V2P 50W 740 SNB DA VS2 OSRAM	50W	4000K	SNB (155°x55°)	DALI 2	GL24100878555
SIM ST V2P 50W 740 SNB DA NEMA VS2 OSRAM	50W	4000K	SNB (155°x55°)	DALI 2&NEMA	GL24100878655
SIM ST V2P 50W 757 SNB DA VS2 OSRAM	50W	5700K	SNB (155°x55°)	DALI 2	GL24100878755
SIM ST V2P 50W 757 SNB DA NEMA VS2 OSRAM	50W	5700K	SNB (155°x55°)	DALI 2&NEMA	GL24100878855
SIM ST V2P 60W 730 SNB DA VS2 OSRAM	60W	3000K	SNB (155°x55°)	DALI 2	GL24100878955
SIM ST V2P 60W 730 SNB DA NEMA VS2 OSRAM	60W	3000K	SNB (155°x55°)	DALI 2&NEMA	GL24100879055
SIM ST V2P 60W 740 SNB DA VS2 OSRAM	60W	4000K	SNB (155°x55°)	DALI 2	GL24100879155
SIM ST V2P 60W 740 SNB DA NEMA VS2 OSRAM	60W	4000K	SNB (155°x55°)	DALI 2&NEMA	GL24100879255
SIM ST V2P 60W 757 SNB DA VS2 OSRAM	60W	5700K	SNB (155°x55°)	DALI 2	GL24100879355
SIM ST V2P 60W 757 SNB DA NEMA VS2 OSRAM	60W	5700K	SNB (155°x55°)	DALI 2&NEMA	GL24100879455
SIM ST V2P 90W 730 SNB DA VS2 OSRAM	90W	3000K	SNB (155°x55°)	DALI 2	GL24100879555
SIM ST V2P 90W 730 SNB DA NEMA VS2 OSRAM	90W	3000K	SNB (155°x55°)	DALI 2&NEMA	GL24100879655
SIM ST V2P 90W 740 SNB DA VS2 OSRAM	90W	4000K	SNB (155°x55°)	DALI 2	GL24100879755
SIM ST V2P 90W 740 SNB DA NEMA VS2 OSRAM	90W	4000K	SNB (155°x55°)	DALI 2&NEMA	GL24100879855
SIM ST V2P 90W 757 SNB DA VS2 OSRAM	90W	5700K	SNB (155°x55°)	DALI 2	GL24100879955
SIM ST V2P 90W 757 SNB DA NEMA VS2 OSRAM	90W	5700K	SNB (155°x55°)	DALI 2&NEMA	GL24100880055
SIM ST V2P 120W 730 SMB DA VS1 OSRAM	120W	3000K	SMB (150°x68°)	DALI 2	GL24100880155
SIM ST V2P 120W 730 SMB DA NEMA VS1 OSRAM	120W	3000K	SMB (150°x68°)	DALI 2&NEMA	GL24100880255
SIM ST V2P 120W 740 SMB DA VS1 OSRAM	120W	4000K	SMB (150°x68°)	DALI 2	GL24100880355
SIM ST V2P 120W 740 SMB DA NEMA VS1 OSRAM	120W	4000K	SMB (150°x68°)	DALI 2&NEMA	GL24100880455
SIM ST V2P 120W 757 SMB DA VS1 OSRAM	120W	5700K	SMB (150°x68°)	DALI 2	GL24100880555
SIM ST V2P 120W 757 SMB DA NEMA VS1 OSRAM	120W	5700K	SMB (150°x68°)	DALI 2&NEMA	GL24100880655
SIM ST V2P 150W 730 SMB DA VS1 OSRAM	150W	3000K	SMB (150°x68°)	DALI 2	GL24100880755
SIM ST V2P 150W 730 SMB DA NEMA VS1 OSRAM	150W	3000K	SMB (150°x68°)	DALI 2&NEMA	GL24100880855
SIM ST V2P 150W 740 SMB DA VS1 OSRAM	150W	4000K	SMB (150°x68°)	DALI 2	GL24100880955
SIM ST V2P 150W 740 SMB DA NEMA VS1 OSRAM	150W	4000K	SMB (150°x68°)	DALI 2&NEMA	GL24100881055
SIM ST V2P 150W 757 SMB DA VS1 OSRAM	150W	5700K	SMB (150°x68°)	DALI 2	GL24100881155
SIM ST V2P 150W 757 SMB DA NEMA VS1 OSRAM	150W	5700K	SMB (150°x68°)	DALI 2&NEMA	GL24100881255
SIM ST V2P 180W 730 SMB DA VS1 OSRAM	180W	3000K	SMB (150°x68°)	DALI 2	GL24100881355
SIM ST V2P 180W 730 SMB DA NEMA VS1 OSRAM	180W	3000K	SMB (150°x68°)	DALI 2&NEMA	GL24100881455
SIM ST V2P 180W 740 SMB DA VS1 OSRAM	180W	4000K	SMB (150°x68°)	DALI 2	GL24100881555
SIM ST V2P 180W 740 SMB DA NEMA VS1 OSRAM	180W	4000K	SMB (150°x68°)	DALI 2&NEMA	GL24100881655
SIM ST V2P 180W 757 SMB DA VS1 OSRAM	180W	5700K	SMB (150°x68°)	DALI 2	GL24100881755
SIM ST V2P 180W 757 SMB DA NEMA VS1 OSRAM	180W	5700K	SMB (150°x68°)	DALI 2&NEMA	GL24100881855
SIM ST V2P 210W 730 SMB DA VS1 OSRAM	210W	3000K	SMB (150°x68°)	DALI 2	GL24100881955
SIM ST V2P 210W 730 SMB DA NEMA VS1 OSRAM	210W	3000K	SMB (150°x68°)	DALI 2&NEMA	GL24100882055
SIM ST V2P 210W 740 SMB DA VS1 OSRAM	210W	4000K	SMB (150°x68°)	DALI 2	GL24100882155
SIM ST V2P 210W 740 SMB DA NEMA VS1 OSRAM	210W	4000K	SMB (150°x68°)	DALI 2&NEMA	GL24100882255

OSRAM is a trademark of OSRAM GmbH.

Traxon is the exclusive licensee of product trademark OSRAM for Professional General Lighting products in Mainland China, Hong Kong and Macau, additional fixed list of General Lighting products globally.

Specifications are subject to change without notice. Errors and omission excepted, always make sure to use the most recent release.

# SIMPLITZ® Street Light V2 Pro

## Ordering Codes

### Fixture (DALI Dimming)

Short Text	Power	CCT	Beam	Control	IC
SIM ST V2P 210W 757 SMB DA VS1 OSRAM	210W	5700K	SMB (150°x68°)	DALI 2	GL24100882355
SIM ST V2P 210W 757 SMB DA NEMA VS1 OSRAM	210W	5700K	SMB (150°x68°)	DALI 2&NEMA	GL24100882455
SIM ST V2P 240W 730 SMB DA VS1 OSRAM	240W	3000K	SMB (150°x68°)	DALI 2	GL24100882555
SIM ST V2P 240W 730 SMB DA NEMA VS1 OSRAM	240W	3000K	SMB (150°x68°)	DALI 2&NEMA	GL24100882655
SIM ST V2P 240W 740 SMB DA VS1 OSRAM	240W	4000K	SMB (150°x68°)	DALI 2	GL24100882755
SIM ST V2P 240W 740 SMB DA NEMA VS1 OSRAM	240W	4000K	SMB (150°x68°)	DALI 2&NEMA	GL24100882855
SIM ST V2P 240W 757 SMB DA VS1 OSRAM	240W	5700K	SMB (150°x68°)	DALI 2	GL24100882955
SIM ST V2P 240W 757 SMB DA NEMA VS1 OSRAM	240W	5700K	SMB (150°x68°)	DALI 2&NEMA	GL24100883055
SIM ST V2P 270W 730 SWB DA VS1 OSRAM	270W	3000K	SWB (150°x40°)	DALI 2	GL24100883155
SIM ST V2P 270W 730 SWB DA NEMA VS1 OSRAM	270W	3000K	SWB (150°x40°)	DALI 2&NEMA	GL24100883255
SIM ST V2P 270W 740 SWB DA VS1 OSRAM	270W	4000K	SWB (150°x40°)	DALI 2	GL24100883355
SIM ST V2P 270W 740 SWB DA NEMA VS1 OSRAM	270W	4000K	SWB (150°x40°)	DALI 2&NEMA	GL24100883455
SIM ST V2P 270W 757 SWB DA VS1 OSRAM	270W	5700K	SWB (150°x40°)	DALI 2	GL24100883555
SIM ST V2P 270W 757 SWB DA NEMA VS1 OSRAM	270W	5700K	SWB (150°x40°)	DALI 2&NEMA	GL24100883655
SIM ST V2P 300W 730 SWB DA VS1 OSRAM	300W	3000K	SWB (150°x40°)	DALI 2	GL24100883755
SIM ST V2P 300W 730 SWB DA NEMA VS1 OSRAM	300W	3000K	SWB (150°x40°)	DALI 2&NEMA	GL24100883855
SIM ST V2P 300W 740 SWB DA VS1 OSRAM	300W	4000K	SWB (150°x40°)	DALI 2	GL24100883955
SIM ST V2P 300W 740 SWB DA NEMA VS1 OSRAM	300W	4000K	SWB (150°x40°)	DALI 2&NEMA	GL24100884055
SIM ST V2P 300W 757 SWB DA VS1 OSRAM	300W	5700K	SWB (150°x40°)	DALI 2	GL24100884155
SIM ST V2P 300W 757 SWB DA NEMA VS1 OSRAM	300W	5700K	SWB (150°x40°)	DALI 2&NEMA	GL24100884255
SIM ST V2P 330W 730 SWB DA VS1 OSRAM	330W	3000K	SWB (150°x40°)	DALI 2	GL24100884355
SIM ST V2P 330W 730 SWB DA NEMA VS1 OSRAM	330W	3000K	SWB (150°x40°)	DALI 2&NEMA	GL24100884455
SIM ST V2P 330W 740 SWB DA VS1 OSRAM	330W	4000K	SWB (150°x40°)	DALI 2	GL24100884555
SIM ST V2P 330W 740 SWB DA NEMA VS1 OSRAM	330W	4000K	SWB (150°x40°)	DALI 2&NEMA	GL24100884655
SIM ST V2P 330W 757 SWB DA VS1 OSRAM	330W	5700K	SWB (150°x40°)	DALI 2	GL24100884755
SIM ST V2P 330W 757 SWB DA NEMA VS1 OSRAM	330W	5700K	SWB (150°x40°)	DALI 2&NEMA	GL24100884855

OSRAM is a trademark of OSRAM GmbH.

Traxon is the exclusive licensee of product trademark OSRAM for Professional General Lighting products in Mainland China, Hong Kong and Macau, additional fixed list of General Lighting products globally.

Specifications are subject to change without notice. Errors and omission excepted, always make sure to use the most recent release.

# SIMPLITZ® Street Light V2 Pro

## Ordering Codes

### Fixture (0-10V Dimming)

Short Text	Power	CCT	Beam	Control	IC
SIM ST V2P 30W 730 SNB VS2 OSRAM	30W	3000K	SNB (155°x55°)	0-10V	GL24100870555
SIM ST V2P 30W 730 SNB NEMA VS2 OSRAM	30W	3000K	SNB (155°x55°)	0-10V&NEMA	GL24100870655
SIM ST V2P 30W 740 SNB VS2 OSRAM	30W	4000K	SNB (155°x55°)	0-10V	GL24100870755
SIM ST V2P 30W 740 SNB NEMA VS2 OSRAM	30W	4000K	SNB (155°x55°)	0-10V&NEMA	GL24100870855
SIM ST V2P 30W 757 SNB VS2 OSRAM	30W	5700K	SNB (155°x55°)	0-10V	GL24100870955
SIM ST V2P 30W 757 SNB NEMA VS2 OSRAM	30W	5700K	SNB (155°x55°)	0-10V&NEMA	GL24100871055
SIM ST V2P 60W 730 SNB VS2 OSRAM	60W	3000K	SNB (155°x55°)	0-10V	GL24100871755
SIM ST V2P 60W 730 SNB NEMA VS2 OSRAM	60W	3000K	SNB (155°x55°)	0-10V&NEMA	GL24100871855
SIM ST V2P 60W 740 SNB VS2 OSRAM	60W	4000K	SNB (155°x55°)	0-10V	GL24100871955
SIM ST V2P 60W 740 SNB NEMA VS2 OSRAM	60W	4000K	SNB (155°x55°)	0-10V&NEMA	GL24100872055
SIM ST V2P 60W 757 SNB VS2 OSRAM	60W	5700K	SNB (155°x55°)	0-10V	GL24100872155
SIM ST V2P 60W 757 SNB NEMA VS2 OSRAM	60W	5700K	SNB (155°x55°)	0-10V&NEMA	GL24100872255
SIM ST V2P 90W 730 SNB VS2 OSRAM	90W	3000K	SNB (155°x55°)	0-10V	GL24100872355
SIM ST V2P 90W 730 SNB NEMA VS2 OSRAM	90W	3000K	SNB (155°x55°)	0-10V&NEMA	GL24100872455
SIM ST V2P 90W 740 SNB VS2 OSRAM	90W	4000K	SNB (155°x55°)	0-10V	GL24100872555
SIM ST V2P 90W 740 SNB NEMA VS2 OSRAM	90W	4000K	SNB (155°x55°)	0-10V&NEMA	GL24100872655
SIM ST V2P 90W 757 SNB VS2 OSRAM	90W	5700K	SNB (155°x55°)	0-10V	GL24100872755
SIM ST V2P 90W 757 SNB NEMA VS2 OSRAM	90W	5700K	SNB (155°x55°)	0-10V&NEMA	GL24100872855
SIM ST V2P 120W 730 SMB VS1 OSRAM	120W	3000K	SMB (150°x68°)	0-10V	GL24100872955
SIM ST V2P 120W 730 SMB NEMA VS1 OSRAM	120W	3000K	SMB (150°x68°)	0-10V&NEMA	GL24100873055
SIM ST V2P 120W 740 SMB VS1 OSRAM	120W	4000K	SMB (150°x68°)	0-10V	GL24100873155
SIM ST V2P 120W 740 SMB NEMA VS1 OSRAM	120W	4000K	SMB (150°x68°)	0-10V&NEMA	GL24100873255
SIM ST V2P 120W 757 SMB VS1 OSRAM	120W	5700K	SMB (150°x68°)	0-10V	GL24100873355
SIM ST V2P 120W 757 SMB NEMA VS1 OSRAM	120W	5700K	SMB (150°x68°)	0-10V&NEMA	GL24100873455
SIM ST V2P 150W 730 SMB VS1 OSRAM	150W	3000K	SMB (150°x68°)	0-10V	GL24100873555
SIM ST V2P 150W 730 SMB NEMA VS1 OSRAM	150W	3000K	SMB (150°x68°)	0-10V&NEMA	GL24100873655
SIM ST V2P 150W 740 SMB VS1 OSRAM	150W	4000K	SMB (150°x68°)	0-10V	GL24100873755
SIM ST V2P 150W 740 SMB NEMA VS1 OSRAM	150W	4000K	SMB (150°x68°)	0-10V&NEMA	GL24100873855
SIM ST V2P 150W 757 SMB VS1 OSRAM	150W	5700K	SMB (150°x68°)	0-10V	GL24100873955
SIM ST V2P 150W 757 SMB NEMA VS1 OSRAM	150W	5700K	SMB (150°x68°)	0-10V&NEMA	GL24100874055
SIM ST V2P 180W 730 SMB VS1 OSRAM	180W	3000K	SMB (150°x68°)	0-10V	GL24100874155
SIM ST V2P 180W 730 SMB NEMA VS1 OSRAM	180W	3000K	SMB (150°x68°)	0-10V&NEMA	GL24100874255
SIM ST V2P 180W 740 SMB VS1 OSRAM	180W	4000K	SMB (150°x68°)	0-10V	GL24100874355
SIM ST V2P 180W 740 SMB NEMA VS1 OSRAM	180W	4000K	SMB (150°x68°)	0-10V&NEMA	GL24100874455
SIM ST V2P 180W 757 SMB VS1 OSRAM	180W	5700K	SMB (150°x68°)	0-10V	GL24100874555
SIM ST V2P 180W 757 SMB NEMA VS1 OSRAM	180W	5700K	SMB (150°x68°)	0-10V&NEMA	GL24100874655
SIM ST V2P 210W 730 SMB VS1 OSRAM	210W	3000K	SMB (150°x68°)	0-10V	GL24100874755
SIM ST V2P 210W 730 SMB NEMA VS1 OSRAM	210W	3000K	SMB (150°x68°)	0-10V&NEMA	GL24100874855
SIM ST V2P 210W 740 SMB VS1 OSRAM	210W	4000K	SMB (150°x68°)	0-10V	GL24100874955
SIM ST V2P 210W 740 SMB NEMA VS1 OSRAM	210W	4000K	SMB (150°x68°)	0-10V&NEMA	GL24100875055
SIM ST V2P 210W 757 SMB VS1 OSRAM	210W	5700K	SMB (150°x68°)	0-10V	GL24100875155
SIM ST V2P 210W 757 SMB NEMA VS1 OSRAM	210W	5700K	SMB (150°x68°)	0-10V&NEMA	GL24100875255
SIM ST V2P 240W 730 SMB VS1 OSRAM	240W	3000K	SMB (150°x68°)	0-10V	GL24100875355
SIM ST V2P 240W 730 SMB NEMA VS1 OSRAM	240W	3000K	SMB (150°x68°)	0-10V&NEMA	GL24100875455
SIM ST V2P 240W 740 SMB VS1 OSRAM	240W	4000K	SMB (150°x68°)	0-10V	GL24100875555
SIM ST V2P 240W 740 SMB NEMA VS1 OSRAM	240W	4000K	SMB (150°x68°)	0-10V&NEMA	GL24100875655

OSRAM is a trademark of OSRAM GmbH.

Traxon is the exclusive licensee of product trademark OSRAM for Professional General Lighting products in Mainland China, Hong Kong and Macau, additional fixed list of General Lighting products globally.

Specifications are subject to change without notice. Errors and omission excepted, always make sure to use the most recent release.

## SIMPLITZ® Street Light V2 Pro

### Ordering Codes

#### Fixture (0-10V Dimming)

Short Text	Power	CCT	Beam	Control	IC
SIM ST V2P 240W 757 SMB VS1 OSRAM	240W	5700K	SMB (150°x68°)	0-10V	GL24100875755
SIM ST V2P 240W 757 SMB NEMA VS1 OSRAM	240W	5700K	SMB (150°x68°)	0-10V&NEMA	GL24100875855
SIM ST V2P 270W 730 SWB VS1 OSRAM	270W	3000K	SWB (150°x40°)	0-10V	GL24100875955
SIM ST V2P 270W 730 SWB NEMA VS1 OSRAM	270W	3000K	SWB (150°x40°)	0-10V&NEMA	GL24100876055
SIM ST V2P 270W 740 SWB VS1 OSRAM	270W	4000K	SWB (150°x40°)	0-10V	GL24100876155
SIM ST V2P 270W 740 SWB NEMA VS1 OSRAM	270W	4000K	SWB (150°x40°)	0-10V&NEMA	GL24100876255
SIM ST V2P 270W 757 SWB VS1 OSRAM	270W	5700K	SWB (150°x40°)	0-10V	GL24100876355
SIM ST V2P 270W 757 SWB NEMA VS1 OSRAM	270W	5700K	SWB (150°x40°)	0-10V&NEMA	GL24100876455
SIM ST V2P 300W 730 SWB VS1 OSRAM	300W	3000K	SWB (150°x40°)	0-10V	GL24100876555
SIM ST V2P 300W 730 SWB NEMA VS1 OSRAM	300W	3000K	SWB (150°x40°)	0-10V&NEMA	GL24100876655
SIM ST V2P 300W 740 SWB VS1 OSRAM	300W	4000K	SWB (150°x40°)	0-10V	GL24100876755
SIM ST V2P 300W 740 SWB NEMA VS1 OSRAM	300W	4000K	SWB (150°x40°)	0-10V&NEMA	GL24100876855
SIM ST V2P 300W 757 SWB VS1 OSRAM	300W	5700K	SWB (150°x40°)	0-10V	GL24100876955
SIM ST V2P 300W 757 SWB NEMA VS1 OSRAM	300W	5700K	SWB (150°x40°)	0-10V&NEMA	GL24100877055
SIM ST V2P 330W 730 SWB VS1 OSRAM	330W	3000K	SWB (150°x40°)	0-10V	GL24100877155
SIM ST V2P 330W 730 SWB NEMA VS1 OSRAM	330W	3000K	SWB (150°x40°)	0-10V&NEMA	GL24100877255
SIM ST V2P 330W 740 SWB VS1 OSRAM	330W	4000K	SWB (150°x40°)	0-10V	GL24100877355
SIM ST V2P 330W 740 SWB NEMA VS1 OSRAM	330W	4000K	SWB (150°x40°)	0-10V&NEMA	GL24100877455
SIM ST V2P 330W 757 SWB VS1 OSRAM	330W	5700K	SWB (150°x40°)	0-10V	GL24100877555
SIM ST V2P 330W 757 SWB NEMA VS1 OSRAM	330W	5700K	SWB (150°x40°)	0-10V&NEMA	GL24100877655

