



TRAXON Go[→]

Linear Go Maxi DC White



Project: _____

Type: _____



IP66



COAST



DMX 512



ANSI 3G



IK07

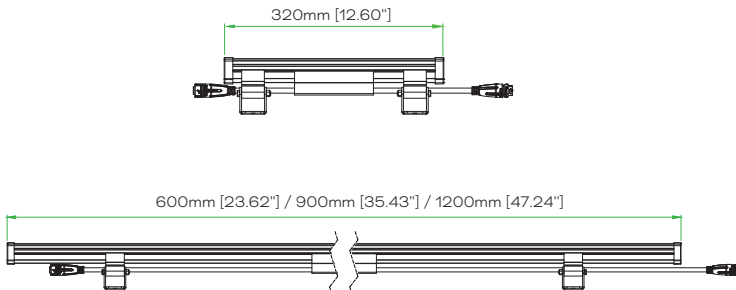
The Traxon Linear Go Maxi DC is a DC line powered exterior luminaire used to distinguish facades, walls, and architectural landmarks with a powerful, even color wash effect. Linear Go's high-value design features efficient electrical and optical systems, making it ideal for budget-conscious projects.

Features

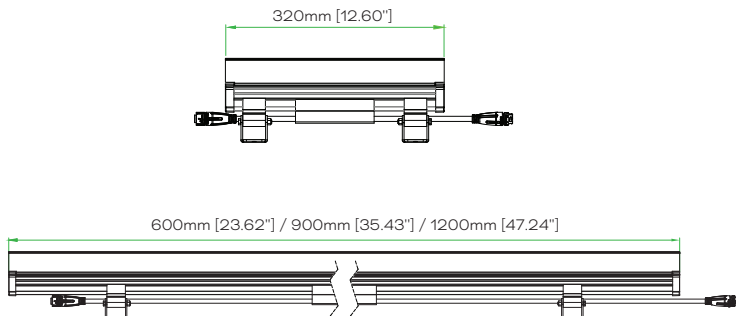
- DMX control
- Easy installation and maintenance

Dimensions

Without Glare Shield



With Glare Shield



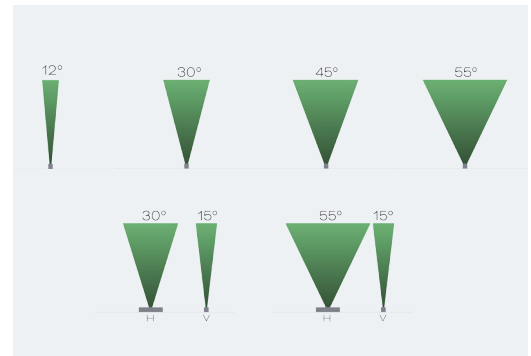
Technologies

- Manual-Addressing with TX Addresser

Color Options



Beam Angle



Finish



Traxon Signature Gray: RAL7005

Product Specifications

Linear Go Maxi DC White				
Model	320mm / 12.6"	600mm / 23.6"	900mm / 35.4"	1200mm / 47.2"
Light Source	White LED			
Color Range	White 2700K, 3000K, 4000K, 5700K, 6500K			
LED Quantity	8pcs	16pcs	24pcs	32pcs
Luminous Flux (12W per 300mm / ft)	White 4000K: 1020 lm (30°)	White 4000K: 2040 lm (30°)	White 4000K: 3060 lm (30°)	White 4000K: 4080 lm (30°)
Luminous Flux (15W per 300mm / ft)	White 4000K: 1275 lm (30°)	White 4000K: 2550 lm (30°)	White 4000K: 3825 lm (30°)	White 4000K: 5100 lm (30°)
Efficacy	White 4000K: 85 lm/W (full on 30°)			
Beam Angles	12°, 30°, 45°, 55°, 30° x 15°, 55° x 15°			
Pixel Configuration	1 Pixel per fixture			
Lens	Glass			
Housing	Aluminum			
Housing Finish Options	Traxon Signature Gray (RAL7005)			
Adjustment Options	-70° to +70°			
Mounting	Mounting Bracket			
Dimensions (Without Glare Shield) (L x W x H, Mounting Bracket included)	320mm x 61mm x 82mm 12.6" x 2.4" x 3.2"	600mm x 61mm x 82mm 23.6" x 2.4" x 3.2"	900mm x 61mm x 82mm 35.4" x 2.4" x 3.2"	1200mm x 61mm x 82mm 47.2" x 2.4" x 3.2"
Dimensions (With Glare Shield) (L x W x H, Mounting Bracket included)	320mm x 61mm x 123mm 12.6" x 2.4" x 4.8"	600mm x 61mm x 123mm 23.6" x 2.4" x 4.8"	900mm x 61mm x 123mm 35.4" x 2.4" x 4.8"	1200mm x 61mm x 123mm 47.2" x 2.4" x 4.8"
Weight (Without Glare Shield)	1.1kg / 2.4lbs	1.9kg / 4.2lbs	2.6kg / 5.7lbs	3.3kg / 7.3lbs
Weight (With Glare Shield)	1.2kg / 2.6lbs	2.0kg / 4.4lbs	2.9kg / 6.4lbs	3.7kg / 8.2lbs
Regulatory Listing & Safety Approval	CE, UKCA, ANSI C136.31-3G			
Operating Temperature	-30°C to +50°C (-22°F to +122°F)			
Minimum Starting Temperature	-20°C (-4°F)			
Storage Temperature	-40°C to +80°C (-40°F to +176°F)			
Environment	Outdoor, IP66, IK07, Coastal Environment (ASTM B117-16)			
Humidity	85%, non-condensing			

Electrical Specifications

Input Voltage	24V DC			
Power Consumption (12W per 300mm / ft)	12W	24W	36W	48W
Power Consumption (15W per 300mm / ft)	15W	30W	45W	60W
Lumen Maintenance	L70 50000hrs @ 25°C			

System Specifications

Power Supply	LED Engine 24V
Control	DMX 512
Addressing Options	Manual-Addressing with TX Addresser
Chipset	MR DMX05

LED CHARACTERISTICS Because LEDs are semiconductor devices, their performances are subject to inherent variability commonly found in semiconductor industry. To improve consistency in performance across the same product, LED manufacturers "sort" LEDs into bins according to different preset parameters, such as forward driving voltage, illumination, etc. Whereas binning is a sorting function, it is not a correction process. Inherent variability in the manufacturing process results always in different binning distributions according to different production lots. Traxon uses automatically binned LEDs on its products, thereby minimizing output variations within the model range.

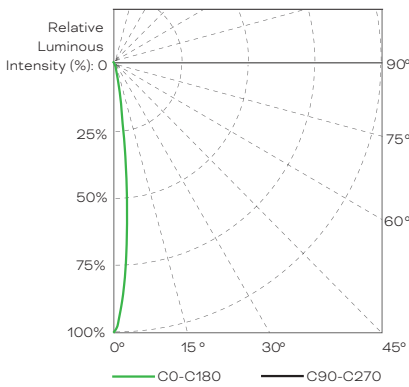
As with all electronic devices, LED output degrades over time – a term called lumen depreciation. This also explains why it is nearly impossible to expect photometric performances of two LED products with different service life spans to be the same. The rate of LED degrade is a complicate function of many factors such as operating efficiency, duration of continuous operation, and more significantly, environmental conditions (ambient temperature for example). If allowed working under optimal operating temperature range and with good ventilation, LED devices enjoy long service lives over conventional light sources. When using/installing LED devices, care should be taken to ensure that the devices will operate within the operating conditions specified in respective product literature.

Lumen measurement complies with LM-79-08 standard.
Lumen maintenance is calculated based on LM-80 compliant measurement.

Source Specifications

Source	White LED
Optics	12°

Candela Distribution



Light Output

12W per 300mm / ft				
	Color	Luminous Flux (lm)	Center Intensity (cd)	Efficacy (lm/W)
320mm / 12.6"	3000K	960	15360	80
	4000K	1020	16320	85
600mm / 23.6"	3000K	1920	30720	80
	4000K	2040	34211	85
900mm / 35.4"	3000K	2880	46080	80
	4000K	3060	48960	85
1200mm / 47.2"	3000K	3840	61440	80
	4000K	4080	65280	85

15W per 300mm / ft				
	Color	Luminous Flux (lm)	Center Intensity (cd)	Efficacy (lm/W)
320mm / 12.6"	3000K	1200	19200	80
	4000K	1275	20400	85
600mm / 23.6"	3000K	2400	38400	80
	4000K	2550	42763	85
900mm / 35.4"	3000K	3600	57600	80
	4000K	3825	61200	85
1200mm / 47.2"	3000K	4800	76800	80
	4000K	5100	81600	85

Illuminance at a Distance

	Center Beam LUX/klm	Beam Width	
0.5m	46926	0.10m / 0.33'	1.6'
1m	11732	0.20m / 0.66'	3.3'
1.5m	5214	0.30m / 0.98'	4.9'
2.0m	2933	0.41m / 1.35'	6.6'
2.5m	1877	0.51m / 1.67'	8.2'
3m	1304	0.61m / 2.00'	9.8'

● Horiz.Spread: 11.6°

For Foot-candle divide by 10.7

IES and LDT files are available for download from the Traxon website.

Illuminance at a Distance

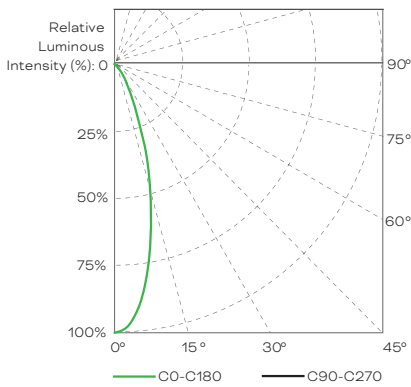
12W per 300mm / ft		320mm / 12.6"		600mm / 23.6"		900mm / 35.4"		1200mm / 47.2"	
Color	Distance	Illuminance		Illuminance		Illuminance		Illuminance	
		LUX	FC	LUX	FC	LUX	FC	LUX	FC
3000K	0.5m / 1.6'	45048.96	4210.18	90097.92	8420.37	135146.88	12630.55	180195.84	16840.73
	1m / 3.3'	11262.72	1052.59	22525.44	2105.18	33788.16	3157.77	45050.88	4210.36
	1.5m / 4.9'	5005.44	467.80	10010.88	935.60	15016.32	1403.39	20021.76	1871.19
	2m / 6.6'	2815.68	263.15	5631.36	526.30	8447.04	789.44	11262.72	1052.59
	2.5m / 8.2'	1801.92	168.40	3603.84	336.81	5405.76	505.21	7207.68	673.61
	3m / 9.8'	1251.84	116.99	2503.68	233.99	3755.52	350.98	5007.36	467.98
4000K	0.5m / 1.6'	47864.52	4473.32	95729.04	8946.64	143593.56	13419.96	191458.08	17893.28
	1m / 3.3'	11966.64	1118.38	23933.28	2236.76	35899.92	3355.13	47866.56	4473.51
	1.5m / 4.9'	5318.28	497.04	10636.56	994.07	15954.84	1491.11	21273.12	1988.14
	2m / 6.6'	2991.66	279.59	5983.32	559.19	8974.98	838.78	11966.64	1118.38
	2.5m / 8.2'	1914.54	178.93	3829.08	357.86	5743.62	536.79	7658.16	715.72
	3m / 9.8'	1330.08	124.31	2660.16	248.61	3990.24	372.92	5320.32	497.23

15W per 300mm / ft		320mm / 12.6"		600mm / 23.6"		900mm / 35.4"		1200mm / 47.2"	
Color	Distance	Illuminance		Illuminance		Illuminance		Illuminance	
		LUX	FC	LUX	FC	LUX	FC	LUX	FC
3000K	0.5m / 1.6'	56311.20	5262.73	112622.40	10525.46	168933.60	15788.19	225244.80	21050.92
	1m / 3.3'	14078.40	1315.74	28156.80	2631.48	42235.20	3947.21	56313.60	5262.95
	1.5m / 4.9'	6256.80	584.75	12513.60	1169.50	18770.40	1754.24	25027.20	2338.99
	2m / 6.6'	3519.60	328.93	7039.20	657.87	10558.80	986.80	14078.40	1315.74
	2.5m / 8.2'	2252.40	210.50	4504.80	421.01	6757.20	631.51	9009.60	842.02
	3m / 9.8'	1564.80	146.24	3129.60	292.49	4694.40	438.73	6259.20	584.97
4000K	0.5m / 1.6'	59830.65	5591.65	119661.30	11183.30	179491.95	16774.95	239322.60	22366.60
	1m / 3.3'	14958.30	1397.97	29916.60	2795.94	44874.90	4193.92	59833.20	5591.89
	1.5m / 4.9'	6647.85	621.29	13295.70	1242.59	19943.55	1863.88	26591.40	2485.18
	2m / 6.6'	3739.58	349.49	7479.15	698.99	11218.73	1048.48	14958.30	1397.97
	2.5m / 8.2'	2393.18	223.66	4786.35	447.32	7179.53	670.98	9572.70	894.64
	3m / 9.8'	1662.60	155.38	3325.20	310.77	4987.80	466.15	6650.40	621.53

Source Specifications

Source	White LED
Optics	30°

Candela Distribution



Light Output

12W per 300mm / ft				
	Color	Luminous Flux (lm)	Center Intensity (cd)	Efficacy (lm/W)
320mm / 12.6"	3000K	960	2026	80
	4000K	1020	2153	85
600mm / 23.6"	3000K	1920	4052	80
	4000K	2040	4306	85
900mm / 35.4"	3000K	2880	6079	80
	4000K	3060	6458	85
1200mm / 47.2"	3000K	3840	8105	80
	4000K	4080	8611	85

15W per 300mm / ft				
	Color	Luminous Flux (lm)	Center Intensity (cd)	Efficacy (lm/W)
320mm / 12.6"	3000K	1200	2533	80
	4000K	1275	2691	85
600mm / 23.6"	3000K	2400	5065	80
	4000K	2550	5382	85
900mm / 35.4"	3000K	3600	7598	80
	4000K	3825	8073	85
1200mm / 47.2"	3000K	4800	10131	80
	4000K	5100	10764	85

Illuminance at a Distance

	Center Beam LUX/klm	Beam Width	
0.5m	9876	0.28m / 0.92'	1.6'
1m	2469	0.57m / 1.87'	3.3'
1.5m	1097	0.85m / 2.79'	4.9'
2.0m	617	1.13m / 3.71'	6.6'
2.5m	395	1.41m / 4.63'	8.2'
3m	274	1.70m / 5.58'	9.8'

● Horiz.Spread: 31.6°

For Foot-candle divide by 10.7

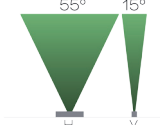
IES and LDT files are available for download from the Traxon website.

Illuminance at a Distance

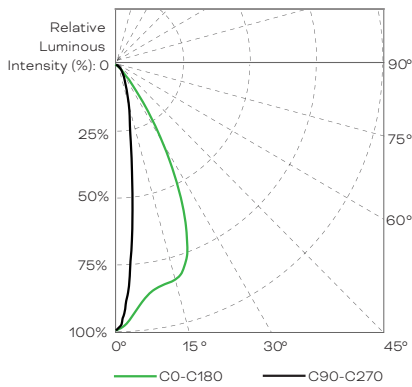
12W per 300mm / ft		320mm / 12.6"		600mm / 23.6"		900mm / 35.4"		1200mm / 47.2"	
Color	Distance	Illuminance		Illuminance		Illuminance		Illuminance	
		LUX	FC	LUX	FC	LUX	FC	LUX	FC
3000K	0.5m / 1.6'	9480.96	886.07	18961.92	1772.14	28442.88	2658.21	37923.84	3544.28
	1m / 3.3'	2370.24	221.52	4740.48	443.04	7110.72	664.55	9480.96	886.07
	1.5m / 4.9'	1053.12	98.42	2106.24	196.84	3159.36	295.27	4212.48	393.69
	2m / 6.6'	592.32	55.36	1184.64	110.71	1776.96	166.07	2369.28	221.43
	2.5m / 8.2'	379.20	35.44	758.40	70.88	1137.60	106.32	1516.80	141.76
	3m / 9.8'	263.04	24.58	526.08	49.17	789.12	73.75	1052.16	98.33
4000K	0.5m / 1.6'	10073.52	941.45	20147.04	1882.90	30220.56	2824.35	40294.08	3765.80
	1m / 3.3'	2518.38	235.36	5036.76	470.73	7555.14	706.09	10073.52	941.45
	1.5m / 4.9'	1118.94	104.57	2237.88	209.15	3356.82	313.72	4475.76	418.30
	2m / 6.6'	629.34	58.82	1258.68	117.63	1888.02	176.45	2517.36	235.27
	2.5m / 8.2'	402.90	37.65	805.80	75.31	1208.70	112.96	1611.60	150.62
	3m / 9.8'	279.48	26.12	558.96	52.24	838.44	78.36	1117.92	104.48

15W per 300mm / ft		320mm / 12.6"		600mm / 23.6"		900mm / 35.4"		1200mm / 47.2"	
Color	Distance	Illuminance		Illuminance		Illuminance		Illuminance	
		LUX	FC	LUX	FC	LUX	FC	LUX	FC
3000K	0.5m / 1.6'	11851.20	1107.59	23702.40	2215.18	35553.60	3322.77	47404.80	4430.36
	1m / 3.3'	2962.80	276.90	5925.60	553.79	8888.40	830.69	11851.20	1107.59
	1.5m / 4.9'	1316.40	123.03	2632.80	246.06	3949.20	369.08	5265.60	492.11
	2m / 6.6'	740.40	69.20	1480.80	138.39	2221.20	207.59	2961.60	276.79
	2.5m / 8.2'	474.00	44.30	948.00	88.60	1422.00	132.90	1896.00	177.20
	3m / 9.8'	328.80	30.73	657.60	61.46	986.40	92.19	1315.20	122.92
4000K	0.5m / 1.6'	12591.90	1176.81	25183.80	2353.63	37775.70	3530.44	50367.60	4707.25
	1m / 3.3'	3147.98	294.20	6295.95	588.41	9443.93	882.61	12591.90	1176.81
	1.5m / 4.9'	1398.68	130.72	2797.35	261.43	4196.03	392.15	5594.70	522.87
	2m / 6.6'	786.68	73.52	1573.35	147.04	2360.03	220.56	3146.70	294.08
	2.5m / 8.2'	503.63	47.07	1007.25	94.14	1510.88	141.20	2014.50	188.27
	3m / 9.8'	349.35	32.65	698.70	65.30	1048.05	97.95	1397.40	130.60

Source Specifications

Source	White LED		
Optics	55° x 15°		

Candela Distribution

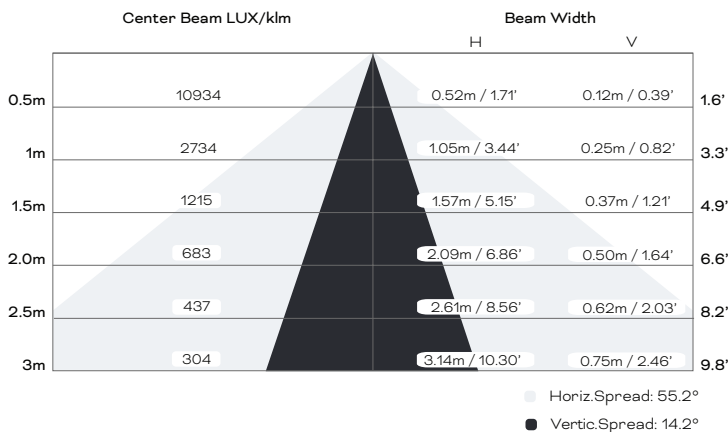


Light Output

		12W per 300mm / ft		
	Color	Luminous Flux (lm)	Center Intensity (cd)	Efficacy (lm/W)
320mm / 12.6"	3000K	840	2386	70
	4000K	900	2556	75
600mm / 23.6"	3000K	1680	4771	70
	4000K	1800	5112	75
900mm / 35.4"	3000K	2520	7157	70
	4000K	2700	7668	75
1200mm / 47.2"	3000K	3360	9542	70
	4000K	3600	10224	75

		15W per 300mm / ft		
	Color	Luminous Flux (lm)	Center Intensity (cd)	Efficacy (lm/W)
320mm / 12.6"	3000K	1050	2982	70
	4000K	1125	3195	75
600mm / 23.6"	3000K	2100	2294	70
	4000K	2250	6392	75
900mm / 35.4"	3000K	3150	8946	70
	4000K	3375	9585	75
1200mm / 47.2"	3000K	4200	11928	70
	4000K	4500	12780	75

Illuminance at a Distance



For Foot-candle divide by 10.7

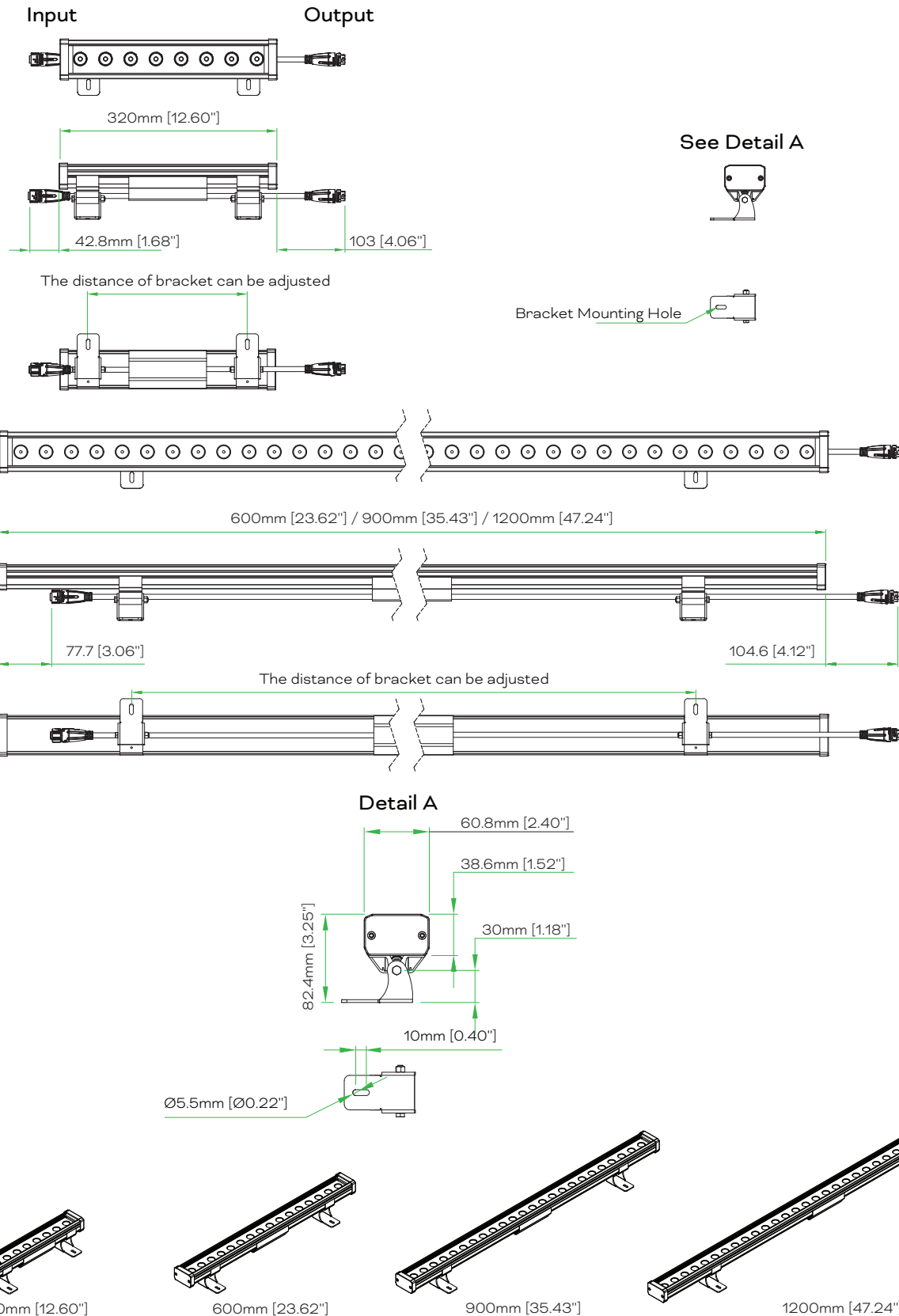
IES and LDT files are available for download from the Traxon website.

Illuminance at a Distance

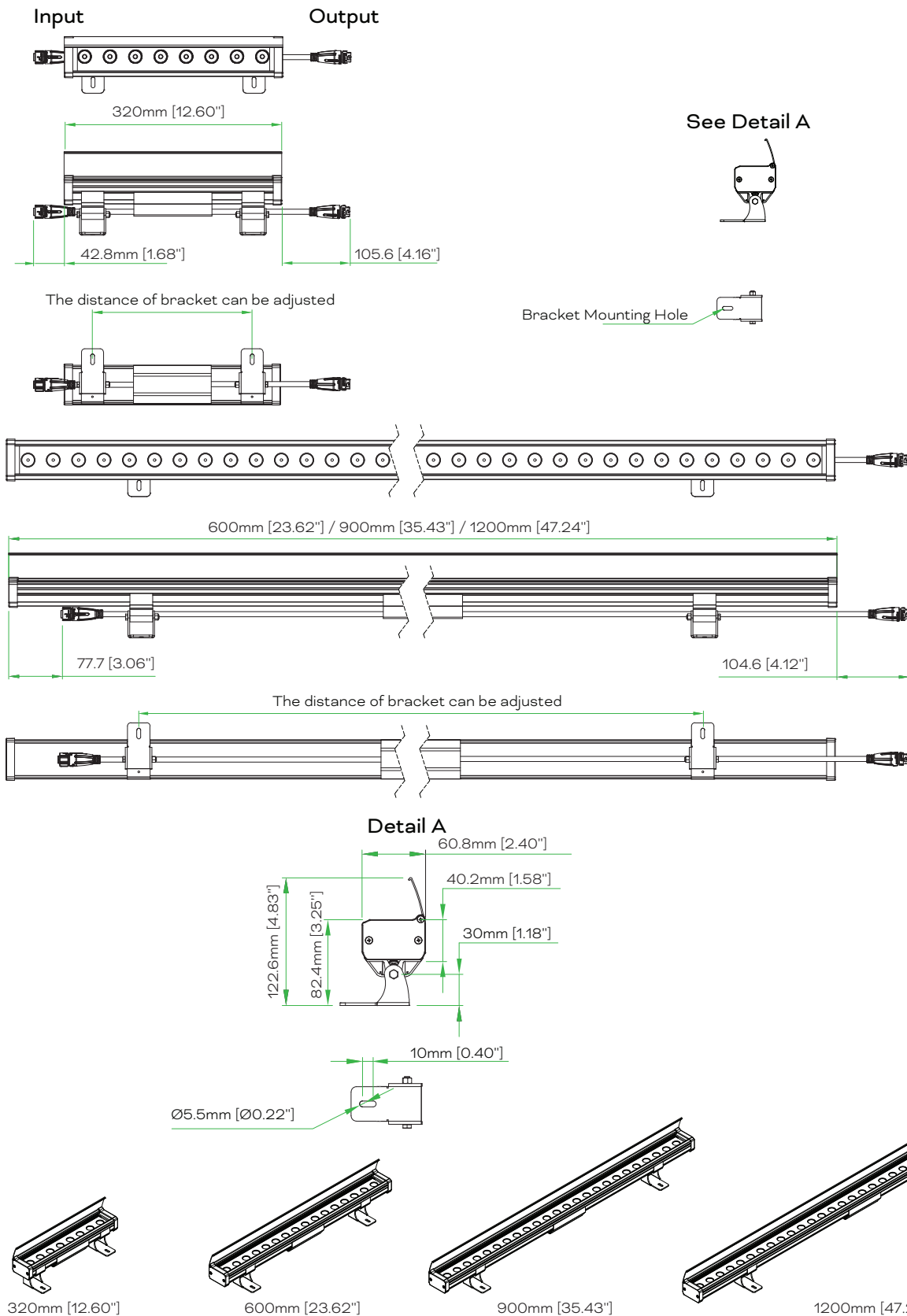
12W per 300mm / ft		320mm / 12.6"		600mm / 23.6"		900mm / 35.4"		1200mm / 47.2"	
Color	Distance	Illuminance		Illuminance		Illuminance		Illuminance	
		LUX	FC	LUX	FC	LUX	FC	LUX	FC
3000K	0.5m / 1.6'	9184.56	858.37	18369.12	1716.74	27553.68	2575.11	36738.24	3433.48
	1m / 3.3'	2296.56	214.63	4593.12	429.26	6889.68	643.90	9186.24	858.53
	1.5m / 4.9'	1020.60	95.38	2041.20	190.77	3061.80	286.15	4082.40	381.53
	2m / 6.6'	573.72	53.62	1147.44	107.24	1721.16	160.86	2294.88	214.47
	2.5m / 8.2'	367.08	34.31	734.16	68.61	1101.24	102.92	1468.32	137.23
	3m / 9.8'	255.36	23.87	510.72	47.73	766.08	71.60	1021.44	95.46
4000K	0.5m / 1.6'	9840.60	919.68	19681.20	1839.36	29521.80	2759.05	39362.40	3678.73
	1m / 3.3'	2460.60	229.96	4921.20	459.93	7381.80	689.89	9842.40	919.85
	1.5m / 4.9'	1093.50	102.20	2187.00	204.39	3280.50	306.59	4374.00	408.79
	2m / 6.6'	614.70	57.45	1229.40	114.90	1844.10	172.35	2458.80	229.79
	2.5m / 8.2'	393.30	36.76	786.60	73.51	1179.90	110.27	1573.20	147.03
	3m / 9.8'	273.60	25.57	547.20	51.14	820.80	76.71	1094.40	102.28

15W per 300mm / ft		320mm / 12.6"		600mm / 23.6"		900mm / 35.4"		1200mm / 47.2"	
Color	Distance	Illuminance		Illuminance		Illuminance		Illuminance	
		LUX	FC	LUX	FC	LUX	FC	LUX	FC
3000K	0.5m / 1.6'	11480.70	1072.96	22961.40	2145.93	34442.10	3218.89	45922.80	4291.85
	1m / 3.3'	2870.70	268.29	5741.40	536.58	8612.10	804.87	11482.80	1073.16
	1.5m / 4.9'	1275.75	119.23	2551.50	238.46	3827.25	357.69	5103.00	476.92
	2m / 6.6'	717.15	67.02	1434.30	134.05	2151.45	201.07	2868.60	268.09
	2.5m / 8.2'	458.85	42.88	917.70	85.77	1376.55	128.65	1835.40	171.53
	3m / 9.8'	319.20	29.83	638.40	59.66	957.60	89.50	1276.80	119.33
4000K	0.5m / 1.6'	12300.75	1149.60	24601.50	2299.21	36902.25	3448.81	49203.00	4598.41
	1m / 3.3'	3075.75	287.45	6151.50	574.91	9227.25	862.36	12303.00	1149.81
	1.5m / 4.9'	1366.88	127.75	2733.75	255.49	4100.63	383.24	5467.50	510.98
	2m / 6.6'	768.38	71.81	1536.75	143.62	2305.13	215.43	3073.50	287.24
	2.5m / 8.2'	491.63	45.95	983.25	91.89	1474.88	137.84	1966.50	183.79
	3m / 9.8'	342.00	31.96	684.00	63.93	1026.00	95.89	1368.00	127.85

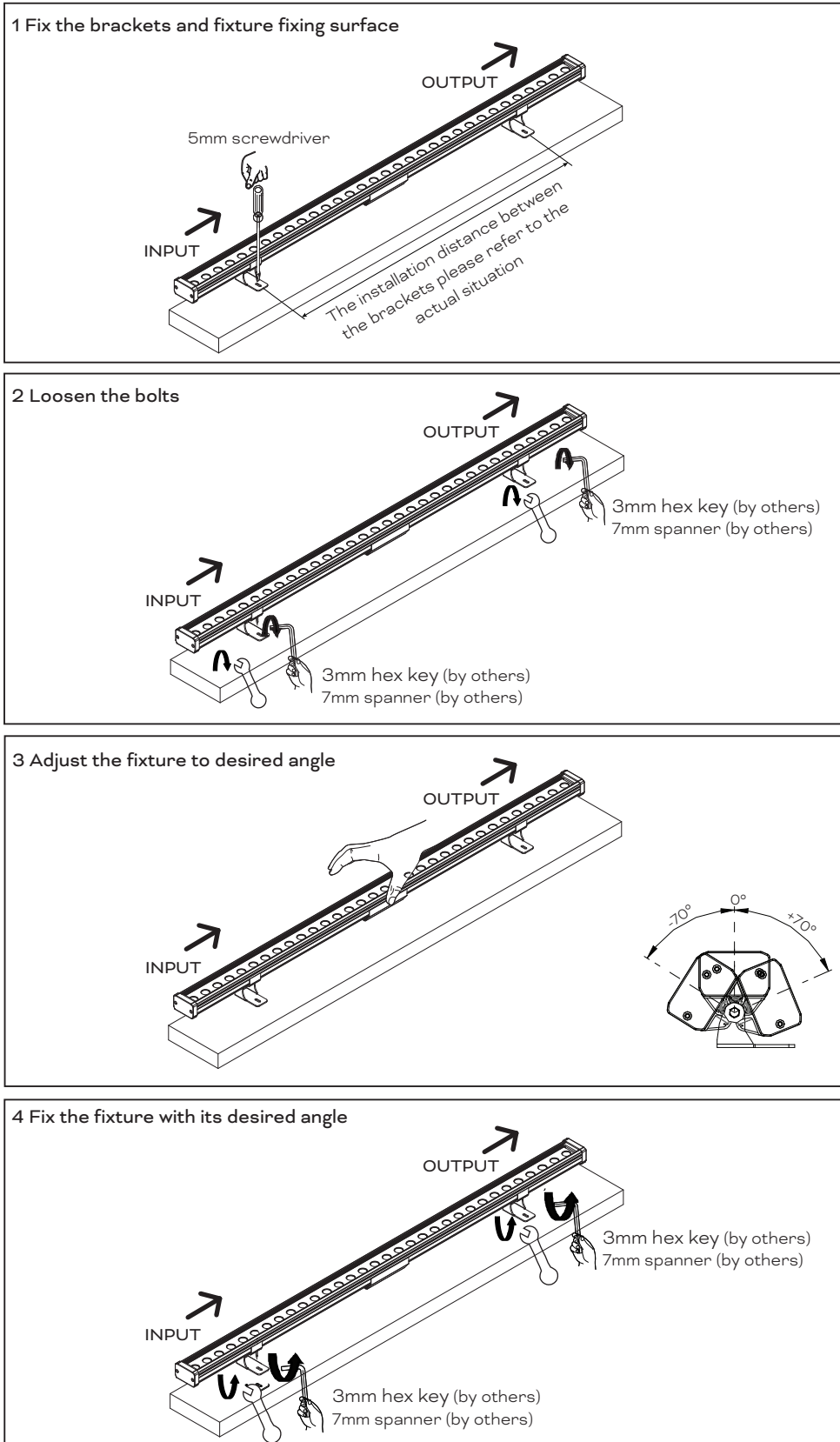
Fixture Dimensions (Without Glare Shield)



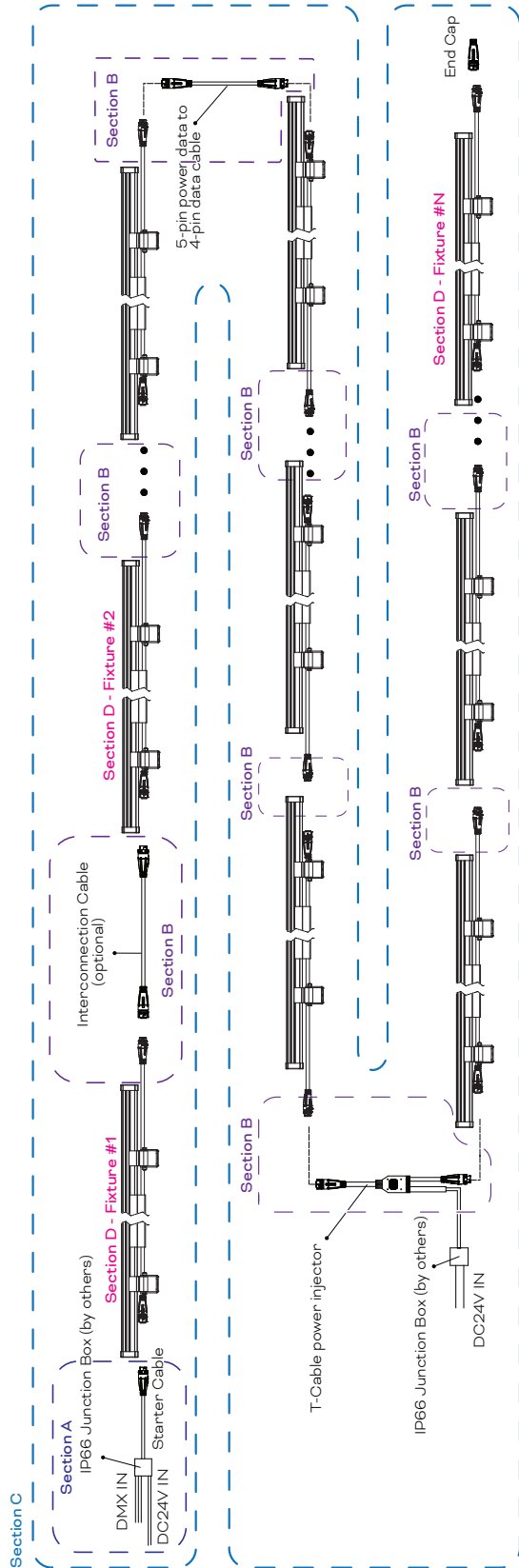
Fixture Dimensions (With Glare Shield)



Bracket Mounting



T-cable Wiring

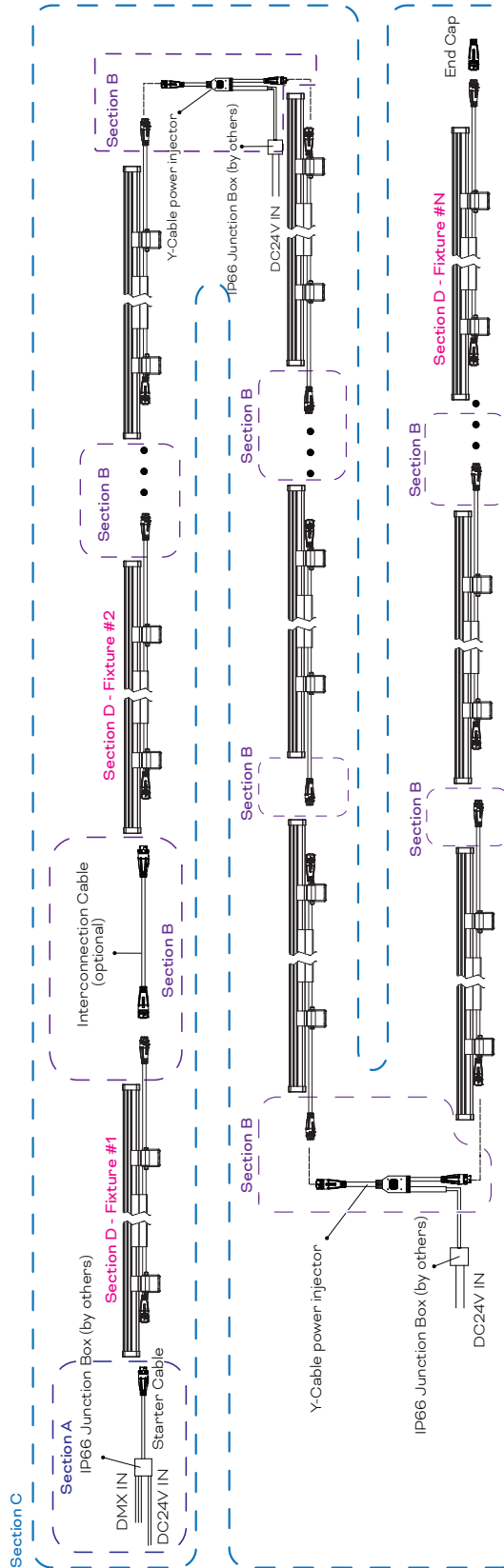


- Data cabling from DMX source to Starter cable shall be Cat5e UTP or other cable type suitable for DMX communication.

Function	Size	Color	Connection
DC24V-	1.0mm ²	White	DC24V- & GND
DC24V+	1.0mm ²	Black	DC24V+
DMX+	0.5mm ²	Brown	DMX+
DMX-	0.5mm ²	Blue	DMX-
Address	0.5mm ²	Green	Do not connect

	For controlling the fixtures	For addressing the fixtures
Section A. Maximum distance from Control/Addressing source to the first fixture	80m / 262'	80m / 262'
Section B. Maximum distance between fixture to fixture	30m / 98'	12m / 39'
Section C. Maximum distance from Control source to last fixture on a single DMX512 link	200m / 656'	200m / 656'
Section D. Maximum number of fixture on a single DMX512 link	40pcs	40pcs

Y-cable Wiring



- Data cabling from DMX source to Starter cable shall be Cat5e UTP or other cable type suitable for DMX communication.

Function	Size	Color	Connection
DC24V-	1.0mm ²	White	DC24V- & GND
DC24V+	1.0mm ²	Black	DC24V+
DMX+	0.5mm ²	Brown	DMX+
DMX-	0.5mm ²	Blue	DMX-
Address	0.5mm ²	Green	Do not connect

	For controlling the fixtures	For addressing the fixtures
Section A. Maximum distance from Control/Addressing source to the first fixture	80m / 262'	80m / 262'
Section B. Maximum distance between fixture to fixture	30m / 98'	12m / 39'
Section C. Maximum distance from Control source to last fixture on a single DMX512 link	200m / 656'	200m / 656'
Section D. Maximum number of fixture on a single DMX512 link	40pcs	40pcs

Fixtures Model Number

XB	.	LG	.	3	NN	N	N	N	1	3	N	00
				Housing + Voltage	Wattage (Power)	LED	Optics	Length	Control	Approbation	Add on	
				Maxi DC	12: 12W	B: 2700K	1: 12°	1: 320mm	DMX	CE & ETL	0: Without GS	
					15: 15W	C: 3000K	4: 30°	3: 600mm			1: With GS	
					24: 24W	E: 4000K	5: 45°	4: 900mm				
					30: 30W	H: 5700K	6: 55°	6: 1200mm				
					36: 36W	I: 6500K	7: 30° x 15°					
					45: 45W		8: 55° x 15°					
					48: 48W							
					60: 60W							

Desired Model Number:

XB	.	LG	.	3		4			1	3		00
----	---	----	---	---	--	---	--	--	---	---	--	----

Fixtures (12W per 300mm / ft without Glare Shield)

Model No.	Description	Item Code
XB.LG.312B1113000	LINEAR GO MAXI DC 12W 2700K 12° 320	DL23100426355
XB.LG.324B1313000	LINEAR GO MAXI DC 24W 2700K 12° 600	DL23100426455
XB.LG.336B1413000	LINEAR GO MAXI DC 36W 2700K 12° 900	DL23100426555
XB.LG.348B1613000	LINEAR GO MAXI DC 48W 2700K 12° 1200	DL23100426655
XB.LG.312B4113000	LINEAR GO MAXI DC 12W 2700K 30° 320	DL23100426755
XB.LG.324B4313000	LINEAR GO MAXI DC 24W 2700K 30° 600	DL23100426855
XB.LG.336B4413000	LINEAR GO MAXI DC 36W 2700K 30° 900	DL23100426955
XB.LG.348B4613000	LINEAR GO MAXI DC 48W 2700K 30° 1200	DL23100427055
XB.LG.312B5113000	LINEAR GO MAXI DC 12W 2700K 45° 320	DL23100427155
XB.LG.324B5313000	LINEAR GO MAXI DC 24W 2700K 45° 600	DL23100427255
XB.LG.336B5413000	LINEAR GO MAXI DC 36W 2700K 45° 900	DL23100427355
XB.LG.348B5613000	LINEAR GO MAXI DC 48W 2700K 45° 1200	DL23100427455
XB.LG.312B6113000	LINEAR GO MAXI DC 12W 2700K 55° 320	DL23100427555
XB.LG.324B6313000	LINEAR GO MAXI DC 24W 2700K 55° 600	DL23100427655
XB.LG.336B6413000	LINEAR GO MAXI DC 36W 2700K 55° 900	DL23100427755
XB.LG.348B6613000	LINEAR GO MAXI DC 48W 2700K 55° 1200	DL23100427855
XB.LG.312B7113000	LINEAR GO MAXI DC 12W 2700K 30°x15° 320	DL23100427955
XB.LG.324B7313000	LINEAR GO MAXI DC 24W 2700K 30°x15° 600	DL23100428055
XB.LG.336B7413000	LINEAR GO MAXI DC 36W 2700K 30°x15° 900	DL23100428155
XB.LG.348B7613000	LINEAR GO MAXI DC 48W 2700K 30°x15° 1200	DL23100428255
XB.LG.312B8113000	LINEAR GO MAXI DC 12W 2700K 55°x15° 320	DL23100428355
XB.LG.324B8313000	LINEAR GO MAXI DC 24W 2700K 55°x15° 600	DL23100428455
XB.LG.336B8413000	LINEAR GO MAXI DC 36W 2700K 55°x15° 900	DL23100428555
XB.LG.348B8613000	LINEAR GO MAXI DC 48W 2700K 55°x15° 1200	DL23100428655
XB.LG.312C1113000	LINEAR GO MAXI DC 12W 3000K 12° 320	DL23100428755
XB.LG.324C1313000	LINEAR GO MAXI DC 24W 3000K 12° 600	DL23100428855
XB.LG.336C1413000	LINEAR GO MAXI DC 36W 3000K 12° 900	DL23100428955
XB.LG.348C1613000	LINEAR GO MAXI DC 48W 3000K 12° 1200	DL23100429055
XB.LG.312C4113000	LINEAR GO MAXI DC 12W 3000K 30° 320	DL23100429155
XB.LG.324C4313000	LINEAR GO MAXI DC 24W 3000K 30° 600	DL23100429255
XB.LG.336C4413000	LINEAR GO MAXI DC 36W 3000K 30° 900	DL23100429355
XB.LG.348C4613000	LINEAR GO MAXI DC 48W 3000K 30° 1200	DL23100429455

Fixtures (12W per 300mm / ft without Glare Shield)

Model No.	Description	Item Code
XB.LG.312C5113000	LINEAR GO MAXI DC 12W 3000K 45° 320	DL23100429555
XB.LG.324C5313000	LINEAR GO MAXI DC 24W 3000K 45° 600	DL23100429655
XB.LG.336C5413000	LINEAR GO MAXI DC 36W 3000K 45° 900	DL23100429755
XB.LG.348C5613000	LINEAR GO MAXI DC 48W 3000K 45° 1200	DL23100429855
XB.LG.312C6113000	LINEAR GO MAXI DC 12W 3000K 55° 320	DL23100429955
XB.LG.324C6313000	LINEAR GO MAXI DC 24W 3000K 55° 600	DL23100430055
XB.LG.336C6413000	LINEAR GO MAXI DC 36W 3000K 55° 900	DL23100430155
XB.LG.348C6613000	LINEAR GO MAXI DC 48W 3000K 55° 1200	DL23100430255
XB.LG.312C7113000	LINEAR GO MAXI DC 12W 3000K 30°x15° 320	DL23100430355
XB.LG.324C7313000	LINEAR GO MAXI DC 24W 3000K 30°x15° 600	DL23100430455
XB.LG.336C7413000	LINEAR GO MAXI DC 36W 3000K 30°x15° 900	DL23100430555
XB.LG.348C7613000	LINEAR GO MAXI DC 48W 3000K 30°x15° 1200	DL23100430655
XB.LG.312C8113000	LINEAR GO MAXI DC 12W 3000K 55°x15° 320	DL23100430755
XB.LG.324C8313000	LINEAR GO MAXI DC 24W 3000K 55°x15° 600	DL23100430855
XB.LG.336C8413000	LINEAR GO MAXI DC 36W 3000K 55°x15° 900	DL23100430955
XB.LG.348C8613000	LINEAR GO MAXI DC 48W 3000K 55°x15° 1200	DL23100431055
XB.LG.312E1113000	LINEAR GO MAXI DC 12W 4000K 12° 320	DL23100431155
XB.LG.324E1313000	LINEAR GO MAXI DC 24W 4000K 12° 600	DL23100431255
XB.LG.336E1413000	LINEAR GO MAXI DC 36W 4000K 12° 900	DL23100431355
XB.LG.348E1613000	LINEAR GO MAXI DC 48W 4000K 12° 1200	DL23100431455
XB.LG.312E4113000	LINEAR GO MAXI DC 12W 4000K 30° 320	DL23100431555
XB.LG.324E4313000	LINEAR GO MAXI DC 24W 4000K 30° 600	DL23100431655
XB.LG.336E4413000	LINEAR GO MAXI DC 36W 4000K 30° 900	DL23100431755
XB.LG.348E4613000	LINEAR GO MAXI DC 48W 4000K 30° 1200	DL23100431855
XB.LG.312E5113000	LINEAR GO MAXI DC 12W 4000K 45° 320	DL23100431955
XB.LG.324E5313000	LINEAR GO MAXI DC 24W 4000K 45° 600	DL23100432055
XB.LG.336E5413000	LINEAR GO MAXI DC 36W 4000K 45° 900	DL23100432155
XB.LG.348E5613000	LINEAR GO MAXI DC 48W 4000K 45° 1200	DL23100432255
XB.LG.312E6113000	LINEAR GO MAXI DC 12W 4000K 55° 320	DL23100432355
XB.LG.324E6313000	LINEAR GO MAXI DC 24W 4000K 55° 600	DL23100432455
XB.LG.336E6413000	LINEAR GO MAXI DC 36W 4000K 55° 900	DL23100432555
XB.LG.348E6613000	LINEAR GO MAXI DC 48W 4000K 55° 1200	DL23100432655
XB.LG.312E7113000	LINEAR GO MAXI DC 12W 4000K 30°x15° 320	DL23100432755
XB.LG.324E7313000	LINEAR GO MAXI DC 24W 4000K 30°x15° 600	DL23100432855
XB.LG.336E7413000	LINEAR GO MAXI DC 36W 4000K 30°x15° 900	DL23100432955
XB.LG.348E7613000	LINEAR GO MAXI DC 48W 4000K 30°x15° 1200	DL23100433055
XB.LG.312E8113000	LINEAR GO MAXI DC 12W 4000K 55°x15° 320	DL23100433155
XB.LG.324E8313000	LINEAR GO MAXI DC 24W 4000K 55°x15° 600	DL23100433255
XB.LG.336E8413000	LINEAR GO MAXI DC 36W 4000K 55°x15° 900	DL23100433355
XB.LG.348E8613000	LINEAR GO MAXI DC 48W 4000K 55°x15° 1200	DL23100433455
XB.LG.312H1113000	LINEAR GO MAXI DC 12W 5700K 12° 320	DL23100433555
XB.LG.324H1313000	LINEAR GO MAXI DC 24W 5700K 12° 600	DL23100433655
XB.LG.336H1413000	LINEAR GO MAXI DC 36W 5700K 12° 900	DL23100433755
XB.LG.348H1613000	LINEAR GO MAXI DC 48W 5700K 12° 1200	DL23100433855
XB.LG.312H4113000	LINEAR GO MAXI DC 12W 5700K 30° 320	DL23100433955
XB.LG.324H4313000	LINEAR GO MAXI DC 24W 5700K 30° 600	DL23100434055
XB.LG.336H4413000	LINEAR GO MAXI DC 36W 5700K 30° 900	DL23100434155
XB.LG.348H4613000	LINEAR GO MAXI DC 48W 5700K 30° 1200	DL23100434255

Fixtures (12W per 300mm / ft without Glare Shield)

Model No.	Description	Item Code
XB.LG.312H5113000	LINEAR GO MAXI DC 12W 5700K 45° 320	DL23100434355
XB.LG.324H5313000	LINEAR GO MAXI DC 24W 5700K 45° 600	DL23100434455
XB.LG.336H5413000	LINEAR GO MAXI DC 36W 5700K 45° 900	DL23100434555
XB.LG.348H5613000	LINEAR GO MAXI DC 48W 5700K 45° 1200	DL23100434655
XB.LG.312H6113000	LINEAR GO MAXI DC 12W 5700K 55° 320	DL23100434755
XB.LG.324H6313000	LINEAR GO MAXI DC 24W 5700K 55° 600	DL23100434855
XB.LG.336H6413000	LINEAR GO MAXI DC 36W 5700K 55° 900	DL23100434955
XB.LG.348H6613000	LINEAR GO MAXI DC 48W 5700K 55° 1200	DL23100435055
XB.LG.312H7113000	LINEAR GO MAXI DC 12W 5700K 30°x15° 320	DL23100435155
XB.LG.324H7313000	LINEAR GO MAXI DC 24W 5700K 30°x15° 600	DL23100435255
XB.LG.336H7413000	LINEAR GO MAXI DC 36W 5700K 30°x15° 900	DL23100435355
XB.LG.348H7613000	LINEAR GO MAXI DC 48W 5700K 30°x15° 1200	DL23100435455
XB.LG.312H8113000	LINEAR GO MAXI DC 12W 5700K 55°x15° 320	DL23100435555
XB.LG.324H8313000	LINEAR GO MAXI DC 24W 5700K 55°x15° 600	DL23100435655
XB.LG.336H8413000	LINEAR GO MAXI DC 36W 5700K 55°x15° 900	DL23100435755
XB.LG.348H8613000	LINEAR GO MAXI DC 48W 5700K 55°x15° 1200	DL23100435855
XB.LG.312I1113000	LINEAR GO MAXI DC 12W 6500K 12° 320	DL23100435955
XB.LG.324I1313000	LINEAR GO MAXI DC 24W 6500K 12° 600	DL23100436055
XB.LG.336I1413000	LINEAR GO MAXI DC 36W 6500K 12° 900	DL23100436155
XB.LG.348I1613000	LINEAR GO MAXI DC 48W 6500K 12° 1200	DL23100436255
XB.LG.312I4113000	LINEAR GO MAXI DC 12W 6500K 30° 320	DL23100436355
XB.LG.324I4313000	LINEAR GO MAXI DC 24W 6500K 30° 600	DL23100436455
XB.LG.336I4413000	LINEAR GO MAXI DC 36W 6500K 30° 900	DL23100436555
XB.LG.348I4613000	LINEAR GO MAXI DC 48W 6500K 30° 1200	DL23100436655
XB.LG.312I5113000	LINEAR GO MAXI DC 12W 6500K 45° 320	DL23100436755
XB.LG.324I5313000	LINEAR GO MAXI DC 24W 6500K 45° 600	DL23100436855
XB.LG.336I5413000	LINEAR GO MAXI DC 36W 6500K 45° 900	DL23100436955
XB.LG.348I5613000	LINEAR GO MAXI DC 48W 6500K 45° 1200	DL23100437055
XB.LG.312I6113000	LINEAR GO MAXI DC 12W 6500K 55° 320	DL23100437155
XB.LG.324I6313000	LINEAR GO MAXI DC 24W 6500K 55° 600	DL23100437255
XB.LG.336I6413000	LINEAR GO MAXI DC 36W 6500K 55° 900	DL23100437355
XB.LG.348I6613000	LINEAR GO MAXI DC 48W 6500K 55° 1200	DL23100437455
XB.LG.312I7113000	LINEAR GO MAXI DC 12W 6500K 30°x15° 320	DL23100437555
XB.LG.324I7313000	LINEAR GO MAXI DC 24W 6500K 30°x15° 600	DL23100437655
XB.LG.336I7413000	LINEAR GO MAXI DC 36W 6500K 30°x15° 900	DL23100437755
XB.LG.348I7613000	LINEAR GO MAXI DC 48W 6500K 30°x15° 1200	DL23100437855
XB.LG.312I8113000	LINEAR GO MAXI DC 12W 6500K 55°x15° 320	DL23100437955
XB.LG.324I8313000	LINEAR GO MAXI DC 24W 6500K 55°x15° 600	DL23100438055
XB.LG.336I8413000	LINEAR GO MAXI DC 36W 6500K 55°x15° 900	DL23100438155
XB.LG.348I8613000	LINEAR GO MAXI DC 48W 6500K 55°x15° 1200	DL23100438255

Fixtures (12W per 300mm / ft with Glare Shield)

Model No.	Description	Item Code
XB.LG.312B1113100	LINEAR GO MAXI DC 12W 2700K 12° 320 GS	DL23100544255
XB.LG.324B1313100	LINEAR GO MAXI DC 24W 2700K 12° 600 GS	DL23100544355
XB.LG.336B1413100	LINEAR GO MAXI DC 36W 2700K 12° 900 GS	DL23100544455
XB.LG.348B1613100	LINEAR GO MAXI DC 48W 2700K 12° 1200 GS	DL23100544555
XB.LG.312B4113100	LINEAR GO MAXI DC 12W 2700K 30° 320 GS	DL23100544655
XB.LG.324B4313100	LINEAR GO MAXI DC 24W 2700K 30° 600 GS	DL23100544755
XB.LG.336B4413100	LINEAR GO MAXI DC 36W 2700K 30° 900 GS	DL23100544855
XB.LG.348B4613100	LINEAR GO MAXI DC 48W 2700K 30° 1200 GS	DL23100544955
XB.LG.312B5113100	LINEAR GO MAXI DC 12W 2700K 45° 320 GS	DL23100545055
XB.LG.324B5313100	LINEAR GO MAXI DC 24W 2700K 45° 600 GS	DL23100545155
XB.LG.336B5413100	LINEAR GO MAXI DC 36W 2700K 45° 900 GS	DL23100545255
XB.LG.348B5613100	LINEAR GO MAXI DC 48W 2700K 45° 1200 GS	DL23100545355
XB.LG.312B6113100	LINEAR GO MAXI DC 12W 2700K 55° 320 GS	DL23100545455
XB.LG.324B6313100	LINEAR GO MAXI DC 24W 2700K 55° 600 GS	DL23100545555
XB.LG.336B6413100	LINEAR GO MAXI DC 36W 2700K 55° 900 GS	DL23100545655
XB.LG.348B6613100	LINEAR GO MAXI DC 48W 2700K 55° 1200 GS	DL23100545755
XB.LG.312B7113100	LINEAR GO MAXI DC 12W 2700K 30°x15° 320 GS	DL23100545855
XB.LG.324B7313100	LINEAR GO MAXI DC 24W 2700K 30°x15° 600 GS	DL23100545955
XB.LG.336B7413100	LINEAR GO MAXI DC 36W 2700K 30°x15° 900 GS	DL23100546055
XB.LG.348B7613100	LINEAR GO MAXI DC 48W 2700K 30°x15° 1200 GS	DL23100546155
XB.LG.312B8113100	LINEAR GO MAXI DC 12W 2700K 55°x15° 320 GS	DL23100546255
XB.LG.324B8313100	LINEAR GO MAXI DC 24W 2700K 55°x15° 600 GS	DL23100546355
XB.LG.336B8413100	LINEAR GO MAXI DC 36W 2700K 55°x15° 900 GS	DL23100546455
XB.LG.348B8613100	LINEAR GO MAXI DC 48W 2700K 55°x15° 1200 GS	DL23100546555
XB.LG.312C1113100	LINEAR GO MAXI DC 12W 3000K 12° 320 GS	DL23100546655
XB.LG.324C1313100	LINEAR GO MAXI DC 24W 3000K 12° 600 GS	DL23100546755
XB.LG.336C1413100	LINEAR GO MAXI DC 36W 3000K 12° 900 GS	DL23100546855
XB.LG.348C1613100	LINEAR GO MAXI DC 48W 3000K 12° 1200 GS	DL23100546955
XB.LG.312C4113100	LINEAR GO MAXI DC 12W 3000K 30° 320 GS	DL23100547055
XB.LG.324C4313100	LINEAR GO MAXI DC 24W 3000K 30° 600 GS	DL23100547155
XB.LG.336C4413100	LINEAR GO MAXI DC 36W 3000K 30° 900 GS	DL23100547255
XB.LG.348C4613100	LINEAR GO MAXI DC 48W 3000K 30° 1200 GS	DL23100547355
XB.LG.312C5113100	LINEAR GO MAXI DC 12W 3000K 45° 320 GS	DL23100547455
XB.LG.324C5313100	LINEAR GO MAXI DC 24W 3000K 45° 600 GS	DL23100547555
XB.LG.336C5413100	LINEAR GO MAXI DC 36W 3000K 45° 900 GS	DL23100547655
XB.LG.348C5613100	LINEAR GO MAXI DC 48W 3000K 45° 1200 GS	DL23100547755
XB.LG.312C6113100	LINEAR GO MAXI DC 12W 3000K 55° 320 GS	DL23100547855
XB.LG.324C6313100	LINEAR GO MAXI DC 24W 3000K 55° 600 GS	DL23100547955
XB.LG.336C6413100	LINEAR GO MAXI DC 36W 3000K 55° 900 GS	DL23100548055
XB.LG.348C6613100	LINEAR GO MAXI DC 48W 3000K 55° 1200 GS	DL23100548155
XB.LG.312C7113100	LINEAR GO MAXI DC 12W 3000K 30°x15° 320 GS	DL23100548255
XB.LG.324C7313100	LINEAR GO MAXI DC 24W 3000K 30°x15° 600 GS	DL23100548355
XB.LG.336C7413100	LINEAR GO MAXI DC 36W 3000K 30°x15° 900 GS	DL23100548455
XB.LG.348C7613100	LINEAR GO MAXI DC 48W 3000K 30°x15° 1200 GS	DL23100548555
XB.LG.312C8113100	LINEAR GO MAXI DC 12W 3000K 55°x15° 320 GS	DL23100548655
XB.LG.324C8313100	LINEAR GO MAXI DC 24W 3000K 55°x15° 600 GS	DL23100548755
XB.LG.336C8413100	LINEAR GO MAXI DC 36W 3000K 55°x15° 900 GS	DL23100548855
XB.LG.348C8613100	LINEAR GO MAXI DC 48W 3000K 55°x15° 1200 GS	DL23100548955

Fixtures (12W per 300mm / ft with Glare Shield)

Model No.	Description	Item Code
XB.LG.312E1113100	LINEAR GO MAXI DC 12W 4000K 12° 320 GS	DL23100549055
XB.LG.324E1313100	LINEAR GO MAXI DC 24W 4000K 12° 600 GS	DL23100549155
XB.LG.336E1413100	LINEAR GO MAXI DC 36W 4000K 12° 900 GS	DL23100549255
XB.LG.348E1613100	LINEAR GO MAXI DC 48W 4000K 12° 1200 GS	DL23100549355
XB.LG.312E4113100	LINEAR GO MAXI DC 12W 4000K 30° 320 GS	DL23100549455
XB.LG.324E4313100	LINEAR GO MAXI DC 24W 4000K 30° 600 GS	DL23100549555
XB.LG.336E4413100	LINEAR GO MAXI DC 36W 4000K 30° 900 GS	DL23100549655
XB.LG.348E4613100	LINEAR GO MAXI DC 48W 4000K 30° 1200 GS	DL23100549755
XB.LG.312E5113100	LINEAR GO MAXI DC 12W 4000K 45° 320 GS	DL23100549855
XB.LG.324E5313100	LINEAR GO MAXI DC 24W 4000K 45° 600 GS	DL23100549955
XB.LG.336E5413100	LINEAR GO MAXI DC 36W 4000K 45° 900 GS	DL23100550055
XB.LG.348E5613100	LINEAR GO MAXI DC 48W 4000K 45° 1200 GS	DL23100550155
XB.LG.312E6113100	LINEAR GO MAXI DC 12W 4000K 55° 320 GS	DL23100550255
XB.LG.324E6313100	LINEAR GO MAXI DC 24W 4000K 55° 600 GS	DL23100550355
XB.LG.336E6413100	LINEAR GO MAXI DC 36W 4000K 55° 900 GS	DL23100550455
XB.LG.348E6613100	LINEAR GO MAXI DC 48W 4000K 55° 1200 GS	DL23100550555
XB.LG.312E7113100	LINEAR GO MAXI DC 12W 4000K 30°x15° 320 GS	DL23100550655
XB.LG.324E7313100	LINEAR GO MAXI DC 24W 4000K 30°x15° 600 GS	DL23100550755
XB.LG.336E7413100	LINEAR GO MAXI DC 36W 4000K 30°x15° 900 GS	DL23100550855
XB.LG.348E7613100	LINEAR GO MAXI DC 48W 4000K 30°x15° 1200 GS	DL23100550955
XB.LG.312E8113100	LINEAR GO MAXI DC 12W 4000K 55°x15° 320 GS	DL23100551055
XB.LG.324E8313100	LINEAR GO MAXI DC 24W 4000K 55°x15° 600 GS	DL23100551155
XB.LG.336E8413100	LINEAR GO MAXI DC 36W 4000K 55°x15° 900 GS	DL23100551255
XB.LG.348E8613100	LINEAR GO MAXI DC 48W 4000K 55°x15° 1200 GS	DL23100551355
XB.LG.312H1113100	LINEAR GO MAXI DC 12W 5700K 12° 320 GS	DL23100551455
XB.LG.324H1313100	LINEAR GO MAXI DC 24W 5700K 12° 600 GS	DL23100551555
XB.LG.336H1413100	LINEAR GO MAXI DC 36W 5700K 12° 900 GS	DL23100551655
XB.LG.348H1613100	LINEAR GO MAXI DC 48W 5700K 12° 1200 GS	DL23100551755
XB.LG.312H4113100	LINEAR GO MAXI DC 12W 5700K 30° 320 GS	DL23100551855
XB.LG.324H4313100	LINEAR GO MAXI DC 24W 5700K 30° 600 GS	DL23100551955
XB.LG.336H4413100	LINEAR GO MAXI DC 36W 5700K 30° 900 GS	DL23100552055
XB.LG.348H4613100	LINEAR GO MAXI DC 48W 5700K 30° 1200 GS	DL23100552155
XB.LG.312H5113100	LINEAR GO MAXI DC 12W 5700K 45° 320 GS	DL23100552255
XB.LG.324H5313100	LINEAR GO MAXI DC 24W 5700K 45° 600 GS	DL23100552355
XB.LG.336H5413100	LINEAR GO MAXI DC 36W 5700K 45° 900 GS	DL23100552455
XB.LG.348H5613100	LINEAR GO MAXI DC 48W 5700K 45° 1200 GS	DL23100552555
XB.LG.312H6113100	LINEAR GO MAXI DC 12W 5700K 55° 320 GS	DL23100552655
XB.LG.324H6313100	LINEAR GO MAXI DC 24W 5700K 55° 600 GS	DL23100552755
XB.LG.336H6413100	LINEAR GO MAXI DC 36W 5700K 55° 900 GS	DL23100552855
XB.LG.348H6613100	LINEAR GO MAXI DC 48W 5700K 55° 1200 GS	DL23100552955
XB.LG.312H7113100	LINEAR GO MAXI DC 12W 5700K 30°x15° 320 GS	DL23100553055
XB.LG.324H7313100	LINEAR GO MAXI DC 24W 5700K 30°x15° 600 GS	DL23100553155
XB.LG.336H7413100	LINEAR GO MAXI DC 36W 5700K 30°x15° 900 GS	DL23100553255
XB.LG.348H7613100	LINEAR GO MAXI DC 48W 5700K 30°x15° 1200 GS	DL23100553355
XB.LG.312H8113100	LINEAR GO MAXI DC 12W 5700K 55°x15° 320 GS	DL23100553455
XB.LG.324H8313100	LINEAR GO MAXI DC 24W 5700K 55°x15° 600 GS	DL23100553555
XB.LG.336H8413100	LINEAR GO MAXI DC 36W 5700K 55°x15° 900 GS	DL23100553655
XB.LG.348H8613100	LINEAR GO MAXI DC 48W 5700K 55°x15° 1200 GS	DL23100553755

Fixtures (12W per 300mm / ft with Glare Shield)

Model No.	Description	Item Code
XB.LG.3121113100	LINEAR GO MAXI DC 12W 6500K 12° 320 GS	DL23100553855
XB.LG.32411313100	LINEAR GO MAXI DC 24W 6500K 12° 600 GS	DL23100553955
XB.LG.3361413100	LINEAR GO MAXI DC 36W 6500K 12° 900 GS	DL23100554055
XB.LG.34811613100	LINEAR GO MAXI DC 48W 6500K 12° 1200 GS	DL23100554155
XB.LG.31214113100	LINEAR GO MAXI DC 12W 6500K 30° 320 GS	DL23100554255
XB.LG.32414313100	LINEAR GO MAXI DC 24W 6500K 30° 600 GS	DL23100554355
XB.LG.33614413100	LINEAR GO MAXI DC 36W 6500K 30° 900 GS	DL23100554455
XB.LG.34814613100	LINEAR GO MAXI DC 48W 6500K 30° 1200 GS	DL23100554555
XB.LG.31215113100	LINEAR GO MAXI DC 12W 6500K 45° 320 GS	DL23100554655
XB.LG.32415313100	LINEAR GO MAXI DC 24W 6500K 45° 600 GS	DL23100554755
XB.LG.33615413100	LINEAR GO MAXI DC 36W 6500K 45° 900 GS	DL23100554855
XB.LG.34815613100	LINEAR GO MAXI DC 48W 6500K 45° 1200 GS	DL23100554955
XB.LG.31216113100	LINEAR GO MAXI DC 12W 6500K 55° 320 GS	DL23100555055
XB.LG.32416313100	LINEAR GO MAXI DC 24W 6500K 55° 600 GS	DL23100555155
XB.LG.33616413100	LINEAR GO MAXI DC 36W 6500K 55° 900 GS	DL23100555255
XB.LG.34816613100	LINEAR GO MAXI DC 48W 6500K 55° 1200 GS	DL23100555355
XB.LG.31217113100	LINEAR GO MAXI DC 12W 6500K 30°x15° 320 GS	DL23100555455
XB.LG.32417313100	LINEAR GO MAXI DC 24W 6500K 30°x15° 600 GS	DL23100555555
XB.LG.33617413100	LINEAR GO MAXI DC 36W 6500K 30°x15° 900 GS	DL23100555655
XB.LG.34817613100	LINEAR GO MAXI DC 48W 6500K 30°x15° 1200 GS	DL23100555755
XB.LG.31218113100	LINEAR GO MAXI DC 12W 6500K 55°x15° 320 GS	DL23100555855
XB.LG.32418313100	LINEAR GO MAXI DC 24W 6500K 55°x15° 600 GS	DL23100555955
XB.LG.33618413100	LINEAR GO MAXI DC 36W 6500K 55°x15° 900 GS	DL23100556055
XB.LG.34818613100	LINEAR GO MAXI DC 48W 6500K 55°x15° 1200 GS	DL23100556155

Fixtures (15W per 300mm / ft without Glare Shield)

Model No.	Description	Item Code
XB.LG.315B1113000	LINEAR GO MAXI DC 15W 2700K 12° 320	DL23100384355
XB.LG.330B1313000	LINEAR GO MAXI DC 30W 2700K 12° 600	DL23100384455
XB.LG.345B1413000	LINEAR GO MAXI DC 45W 2700K 12° 900	DL23100384555
XB.LG.360B1613000	LINEAR GO MAXI DC 60W 2700K 12° 1200	DL23100384655
XB.LG.315B4113000	LINEAR GO MAXI DC 15W 2700K 30° 320	DL23100384955
XB.LG.330B4313000	LINEAR GO MAXI DC 30W 2700K 30° 600	DL23100385055
XB.LG.345B4413000	LINEAR GO MAXI DC 45W 2700K 30° 900	DL23100385155
XB.LG.360B4613000	LINEAR GO MAXI DC 60W 2700K 30° 1200	DL23100385255
XB.LG.315B5113000	LINEAR GO MAXI DC 15W 2700K 45° 320	DL23100385555
XB.LG.330B5313000	LINEAR GO MAXI DC 30W 2700K 45° 600	DL23100385655
XB.LG.345B5413000	LINEAR GO MAXI DC 45W 2700K 45° 900	DL23100385755
XB.LG.360B5613000	LINEAR GO MAXI DC 60W 2700K 45° 1200	DL23100385855
XB.LG.315B6113000	LINEAR GO MAXI DC 15W 2700K 55° 320	DL23100386155
XB.LG.330B6313000	LINEAR GO MAXI DC 30W 2700K 55° 600	DL23100386255
XB.LG.345B6413000	LINEAR GO MAXI DC 45W 2700K 55° 900	DL23100386355
XB.LG.360B6613000	LINEAR GO MAXI DC 60W 2700K 55° 1200	DL23100386455
XB.LG.315B7113000	LINEAR GO MAXI DC 15W 2700K 30°x15° 320	DL23100386755
XB.LG.330B7313000	LINEAR GO MAXI DC 30W 2700K 30°x15° 600	DL23100386855
XB.LG.345B7413000	LINEAR GO MAXI DC 45W 2700K 30°x15° 900	DL23100386955
XB.LG.360B7613000	LINEAR GO MAXI DC 60W 2700K 30°x15° 1200	DL23100387055
XB.LG.315B8113000	LINEAR GO MAXI DC 15W 2700K 55°x15° 320	DL23100387355
XB.LG.330B8313000	LINEAR GO MAXI DC 30W 2700K 55°x15° 600	DL23100387455
XB.LG.345B8413000	LINEAR GO MAXI DC 45W 2700K 55°x15° 900	DL23100387555
XB.LG.360B8613000	LINEAR GO MAXI DC 60W 2700K 55°x15° 1200	DL23100387655
XB.LG.315C1113000	LINEAR GO MAXI DC 15W 3000K 12° 320	DL23100387955
XB.LG.330C1313000	LINEAR GO MAXI DC 30W 3000K 12° 600	DL23100388055
XB.LG.345C1413000	LINEAR GO MAXI DC 45W 3000K 12° 900	DL23100388155
XB.LG.360C1613000	LINEAR GO MAXI DC 60W 3000K 12° 1200	DL23100388255
XB.LG.315C4113000	LINEAR GO MAXI DC 15W 3000K 30° 320	DL23100388555
XB.LG.330C4313000	LINEAR GO MAXI DC 30W 3000K 30° 600	DL23100388655
XB.LG.345C4413000	LINEAR GO MAXI DC 45W 3000K 30° 900	DL23100388755
XB.LG.360C4613000	LINEAR GO MAXI DC 60W 3000K 30° 1200	DL23100388855
XB.LG.315C5113000	LINEAR GO MAXI DC 15W 3000K 45° 320	DL23100389155
XB.LG.330C5313000	LINEAR GO MAXI DC 30W 3000K 45° 600	DL23100389255
XB.LG.345C5413000	LINEAR GO MAXI DC 45W 3000K 45° 900	DL23100389355
XB.LG.360C5613000	LINEAR GO MAXI DC 60W 3000K 45° 1200	DL23100389455
XB.LG.315C6113000	LINEAR GO MAXI DC 15W 3000K 55° 320	DL23100389755
XB.LG.330C6313000	LINEAR GO MAXI DC 30W 3000K 55° 600	DL23100389855
XB.LG.345C6413000	LINEAR GO MAXI DC 45W 3000K 55° 900	DL23100389955
XB.LG.360C6613000	LINEAR GO MAXI DC 60W 3000K 55° 1200	DL23100390055
XB.LG.315C7113000	LINEAR GO MAXI DC 15W 3000K 30°x15° 320	DL23100390355
XB.LG.330C7313000	LINEAR GO MAXI DC 30W 3000K 30°x15° 600	DL23100390455
XB.LG.345C7413000	LINEAR GO MAXI DC 45W 3000K 30°x15° 900	DL23100390555
XB.LG.360C7613000	LINEAR GO MAXI DC 60W 3000K 30°x15° 1200	DL23100390655
XB.LG.315C8113000	LINEAR GO MAXI DC 15W 3000K 55°x15° 320	DL23100390955
XB.LG.330C8313000	LINEAR GO MAXI DC 30W 3000K 55°x15° 600	DL23100391055
XB.LG.345C8413000	LINEAR GO MAXI DC 45W 3000K 55°x15° 900	DL23100391155
XB.LG.360C8613000	LINEAR GO MAXI DC 60W 3000K 55°x15° 1200	DL23100391255

Fixtures (15W per 300mm / ft without Glare Shield)

Model No.	Description	Item Code
XB.LG.315E113000	LINEAR GO MAXI DC 15W 4000K 12° 320	DL23100391555
XB.LG.330E1313000	LINEAR GO MAXI DC 30W 4000K 12° 600	DL23100391655
XB.LG.345E1413000	LINEAR GO MAXI DC 45W 4000K 12° 900	DL23100391755
XB.LG.360E1613000	LINEAR GO MAXI DC 60W 4000K 12° 1200	DL23100391855
XB.LG.315E4113000	LINEAR GO MAXI DC 15W 4000K 30° 320	DL23100392155
XB.LG.330E4313000	LINEAR GO MAXI DC 30W 4000K 30° 600	DL23100392255
XB.LG.345E4413000	LINEAR GO MAXI DC 45W 4000K 30° 900	DL23100392355
XB.LG.360E4613000	LINEAR GO MAXI DC 60W 4000K 30° 1200	DL23100392455
XB.LG.315E5113000	LINEAR GO MAXI DC 15W 4000K 45° 320	DL23100392755
XB.LG.330E5313000	LINEAR GO MAXI DC 30W 4000K 45° 600	DL23100392855
XB.LG.345E5413000	LINEAR GO MAXI DC 45W 4000K 45° 900	DL23100392955
XB.LG.360E5613000	LINEAR GO MAXI DC 60W 4000K 45° 1200	DL23100393055
XB.LG.315E6113000	LINEAR GO MAXI DC 15W 4000K 55° 320	DL23100393355
XB.LG.330E6313000	LINEAR GO MAXI DC 30W 4000K 55° 600	DL23100393455
XB.LG.345E6413000	LINEAR GO MAXI DC 45W 4000K 55° 900	DL23100393555
XB.LG.360E6613000	LINEAR GO MAXI DC 60W 4000K 55° 1200	DL23100393655
XB.LG.315E7113000	LINEAR GO MAXI DC 15W 4000K 30°x15° 320	DL23100393955
XB.LG.330E7313000	LINEAR GO MAXI DC 30W 4000K 30°x15° 600	DL23100394055
XB.LG.345E7413000	LINEAR GO MAXI DC 45W 4000K 30°x15° 900	DL23100394155
XB.LG.360E7613000	LINEAR GO MAXI DC 60W 4000K 30°x15° 1200	DL23100394255
XB.LG.315E8113000	LINEAR GO MAXI DC 15W 4000K 55°x15° 320	DL23100394555
XB.LG.330E8313000	LINEAR GO MAXI DC 30W 4000K 55°x15° 600	DL23100394655
XB.LG.345E8413000	LINEAR GO MAXI DC 45W 4000K 55°x15° 900	DL23100394755
XB.LG.360E8613000	LINEAR GO MAXI DC 60W 4000K 55°x15° 1200	DL23100394855
XB.LG.315H1113000	LINEAR GO MAXI DC 15W 5700K 12° 320	DL23100395155
XB.LG.330H1313000	LINEAR GO MAXI DC 30W 5700K 12° 600	DL23100395255
XB.LG.345H1413000	LINEAR GO MAXI DC 45W 5700K 12° 900	DL23100395355
XB.LG.360H1613000	LINEAR GO MAXI DC 60W 5700K 12° 1200	DL23100395455
XB.LG.315H4113000	LINEAR GO MAXI DC 15W 5700K 30° 320	DL23100395755
XB.LG.330H4313000	LINEAR GO MAXI DC 30W 5700K 30° 600	DL23100395855
XB.LG.345H4413000	LINEAR GO MAXI DC 45W 5700K 30° 900	DL23100395955
XB.LG.360H4613000	LINEAR GO MAXI DC 60W 5700K 30° 1200	DL23100396055
XB.LG.315H5113000	LINEAR GO MAXI DC 15W 5700K 45° 320	DL23100396355
XB.LG.330H5313000	LINEAR GO MAXI DC 30W 5700K 45° 600	DL23100396455
XB.LG.345H5413000	LINEAR GO MAXI DC 45W 5700K 45° 900	DL23100396555
XB.LG.360H5613000	LINEAR GO MAXI DC 60W 5700K 45° 1200	DL23100396655
XB.LG.315H6113000	LINEAR GO MAXI DC 15W 5700K 55° 320	DL23100396955
XB.LG.330H6313000	LINEAR GO MAXI DC 30W 5700K 55° 600	DL23100397055
XB.LG.345H6413000	LINEAR GO MAXI DC 45W 5700K 55° 900	DL23100397155
XB.LG.360H6613000	LINEAR GO MAXI DC 60W 5700K 55° 1200	DL23100397255
XB.LG.315H7113000	LINEAR GO MAXI DC 15W 5700K 30°x15° 320	DL23100397555
XB.LG.330H7313000	LINEAR GO MAXI DC 30W 5700K 30°x15° 600	DL23100397655
XB.LG.345H7413000	LINEAR GO MAXI DC 45W 5700K 30°x15° 900	DL23100397755
XB.LG.360H7613000	LINEAR GO MAXI DC 60W 5700K 30°x15° 1200	DL23100397855
XB.LG.315H8113000	LINEAR GO MAXI DC 15W 5700K 55°x15° 320	DL23100398155
XB.LG.330H8313000	LINEAR GO MAXI DC 30W 5700K 55°x15° 600	DL23100398255
XB.LG.345H8413000	LINEAR GO MAXI DC 45W 5700K 55°x15° 900	DL23100398355
XB.LG.360H8613000	LINEAR GO MAXI DC 60W 5700K 55°x15° 1200	DL23100398455

Fixtures (15W per 300mm / ft without Glare Shield)

Model No.	Description	Item Code
XB.LG.3151113000	LINEAR GO MAXI DC 15W 6500K 12° 320	DL23100398755
XB.LG.33011313000	LINEAR GO MAXI DC 30W 6500K 12° 600	DL23100398855
XB.LG.34511413000	LINEAR GO MAXI DC 45W 6500K 12° 900	DL23100398955
XB.LG.36011613000	LINEAR GO MAXI DC 60W 6500K 12° 1200	DL23100399055
XB.LG.31514113000	LINEAR GO MAXI DC 15W 6500K 30° 320	DL23100399355
XB.LG.33014313000	LINEAR GO MAXI DC 30W 6500K 30° 600	DL23100399455
XB.LG.34514413000	LINEAR GO MAXI DC 45W 6500K 30° 900	DL23100399555
XB.LG.36014613000	LINEAR GO MAXI DC 60W 6500K 30° 1200	DL23100399655
XB.LG.31515113000	LINEAR GO MAXI DC 15W 6500K 45° 320	DL23100399955
XB.LG.33015313000	LINEAR GO MAXI DC 30W 6500K 45° 600	DL23100400055
XB.LG.34515413000	LINEAR GO MAXI DC 45W 6500K 45° 900	DL23100400155
XB.LG.36015613000	LINEAR GO MAXI DC 60W 6500K 45° 1200	DL23100400255
XB.LG.31516113000	LINEAR GO MAXI DC 15W 6500K 55° 320	DL23100400555
XB.LG.33016313000	LINEAR GO MAXI DC 30W 6500K 55° 600	DL23100400655
XB.LG.34516413000	LINEAR GO MAXI DC 45W 6500K 55° 900	DL23100400755
XB.LG.36016613000	LINEAR GO MAXI DC 60W 6500K 55° 1200	DL23100400855
XB.LG.31517113000	LINEAR GO MAXI DC 15W 6500K 30°x15° 320	DL23100401155
XB.LG.33017313000	LINEAR GO MAXI DC 30W 6500K 30°x15° 600	DL23100401255
XB.LG.34517413000	LINEAR GO MAXI DC 45W 6500K 30°x15° 900	DL23100401355
XB.LG.36017613000	LINEAR GO MAXI DC 60W 6500K 30°x15° 1200	DL23100401455
XB.LG.31518113000	LINEAR GO MAXI DC 15W 6500K 55°x15° 320	DL23100401755
XB.LG.33018313000	LINEAR GO MAXI DC 30W 6500K 55°x15° 600	DL23100401855
XB.LG.34518413000	LINEAR GO MAXI DC 45W 6500K 55°x15° 900	DL23100401955
XB.LG.36018613000	LINEAR GO MAXI DC 60W 6500K 55°x15° 1200	DL23100402055

Fixtures (15W per 300mm / ft with Glare Shield)

Model No.	Description	Item Code
XB.LG.315B1113100	LINEAR GO MAXI DC 15W 2700K 12° 320 GS	DL23100502255
XB.LG.330B1313100	LINEAR GO MAXI DC 30W 2700K 12° 600 GS	DL23100502355
XB.LG.345B1413100	LINEAR GO MAXI DC 45W 2700K 12° 900 GS	DL23100502455
XB.LG.360B1613100	LINEAR GO MAXI DC 60W 2700K 12° 1200 GS	DL23100502555
XB.LG.315B4113100	LINEAR GO MAXI DC 15W 2700K 30° 320 GS	DL23100502855
XB.LG.330B4313100	LINEAR GO MAXI DC 30W 2700K 30° 600 GS	DL23100502955
XB.LG.345B4413100	LINEAR GO MAXI DC 45W 2700K 30° 900 GS	DL23100503055
XB.LG.360B4613100	LINEAR GO MAXI DC 60W 2700K 30° 1200 GS	DL23100503155
XB.LG.315B5113100	LINEAR GO MAXI DC 15W 2700K 45° 320 GS	DL23100503455
XB.LG.330B5313100	LINEAR GO MAXI DC 30W 2700K 45° 600 GS	DL23100503555
XB.LG.345B5413100	LINEAR GO MAXI DC 45W 2700K 45° 900 GS	DL23100503655
XB.LG.360B5613100	LINEAR GO MAXI DC 60W 2700K 45° 1200 GS	DL23100503755
XB.LG.315B6113100	LINEAR GO MAXI DC 15W 2700K 55° 320 GS	DL23100504055
XB.LG.330B6313100	LINEAR GO MAXI DC 30W 2700K 55° 600 GS	DL23100504155
XB.LG.345B6413100	LINEAR GO MAXI DC 45W 2700K 55° 900 GS	DL23100504255
XB.LG.360B6613100	LINEAR GO MAXI DC 60W 2700K 55° 1200 GS	DL23100504355
XB.LG.315B7113100	LINEAR GO MAXI DC 15W 2700K 30°x15° 320 GS	DL23100504655
XB.LG.330B7313100	LINEAR GO MAXI DC 30W 2700K 30°x15° 600 GS	DL23100504755
XB.LG.345B7413100	LINEAR GO MAXI DC 45W 2700K 30°x15° 900 GS	DL23100504855
XB.LG.360B7613100	LINEAR GO MAXI DC 60W 2700K 30°x15° 1200 GS	DL23100504955
XB.LG.315B8113100	LINEAR GO MAXI DC 15W 2700K 55°x15° 320 GS	DL23100505255
XB.LG.330B8313100	LINEAR GO MAXI DC 30W 2700K 55°x15° 600 GS	DL23100505355
XB.LG.345B8413100	LINEAR GO MAXI DC 45W 2700K 55°x15° 900 GS	DL23100505455
XB.LG.360B8613100	LINEAR GO MAXI DC 60W 2700K 55°x15° 1200 GS	DL23100505555
XB.LG.315C1113100	LINEAR GO MAXI DC 15W 3000K 12° 320 GS	DL23100505855
XB.LG.330C1313100	LINEAR GO MAXI DC 30W 3000K 12° 600 GS	DL23100505955
XB.LG.345C1413100	LINEAR GO MAXI DC 45W 3000K 12° 900 GS	DL23100506055
XB.LG.360C1613100	LINEAR GO MAXI DC 60W 3000K 12° 1200 GS	DL23100506155
XB.LG.315C4113100	LINEAR GO MAXI DC 15W 3000K 30° 320 GS	DL23100506455
XB.LG.330C4313100	LINEAR GO MAXI DC 30W 3000K 30° 600 GS	DL23100506555
XB.LG.345C4413100	LINEAR GO MAXI DC 45W 3000K 30° 900 GS	DL23100506655
XB.LG.360C4613100	LINEAR GO MAXI DC 60W 3000K 30° 1200 GS	DL23100506755
XB.LG.315C5113100	LINEAR GO MAXI DC 15W 3000K 45° 320 GS	DL23100507055
XB.LG.330C5313100	LINEAR GO MAXI DC 30W 3000K 45° 600 GS	DL23100507155
XB.LG.345C5413100	LINEAR GO MAXI DC 45W 3000K 45° 900 GS	DL23100507255
XB.LG.360C5613100	LINEAR GO MAXI DC 60W 3000K 45° 1200 GS	DL23100507355
XB.LG.315C6113100	LINEAR GO MAXI DC 15W 3000K 55° 320 GS	DL23100507655
XB.LG.330C6313100	LINEAR GO MAXI DC 30W 3000K 55° 600 GS	DL23100507755
XB.LG.345C6413100	LINEAR GO MAXI DC 45W 3000K 55° 900 GS	DL23100507855
XB.LG.360C6613100	LINEAR GO MAXI DC 60W 3000K 55° 1200 GS	DL23100507955
XB.LG.315C7113100	LINEAR GO MAXI DC 15W 3000K 30°x15° 320 GS	DL23100508255
XB.LG.330C7313100	LINEAR GO MAXI DC 30W 3000K 30°x15° 600 GS	DL23100508355
XB.LG.345C7413100	LINEAR GO MAXI DC 45W 3000K 30°x15° 900 GS	DL23100508455
XB.LG.360C7613100	LINEAR GO MAXI DC 60W 3000K 30°x15° 1200 GS	DL23100508555
XB.LG.315C8113100	LINEAR GO MAXI DC 15W 3000K 55°x15° 320 GS	DL23100508855
XB.LG.330C8313100	LINEAR GO MAXI DC 30W 3000K 55°x15° 600 GS	DL23100508955
XB.LG.345C8413100	LINEAR GO MAXI DC 45W 3000K 55°x15° 900 GS	DL23100509055
XB.LG.360C8613100	LINEAR GO MAXI DC 60W 3000K 55°x15° 1200 GS	DL23100509155

Fixtures (15W per 300mm / ft with Glare Shield)

Model No.	Description	Item Code
XB.LG.315E1113100	LINEAR GO MAXI DC 15W 4000K 12° 320 GS	DL23100509455
XB.LG.330E1313100	LINEAR GO MAXI DC 30W 4000K 12° 600 GS	DL23100509555
XB.LG.345E1413100	LINEAR GO MAXI DC 45W 4000K 12° 900 GS	DL23100509655
XB.LG.360E1613100	LINEAR GO MAXI DC 60W 4000K 12° 1200 GS	DL23100509755
XB.LG.315E4113100	LINEAR GO MAXI DC 15W 4000K 30° 320 GS	DL23100510055
XB.LG.330E4313100	LINEAR GO MAXI DC 30W 4000K 30° 600 GS	DL23100510155
XB.LG.345E4413100	LINEAR GO MAXI DC 45W 4000K 30° 900 GS	DL23100510255
XB.LG.360E4613100	LINEAR GO MAXI DC 60W 4000K 30° 1200 GS	DL23100510355
XB.LG.315E5113100	LINEAR GO MAXI DC 15W 4000K 45° 320 GS	DL23100510655
XB.LG.330E5313100	LINEAR GO MAXI DC 30W 4000K 45° 600 GS	DL23100510755
XB.LG.345E5413100	LINEAR GO MAXI DC 45W 4000K 45° 900 GS	DL23100510855
XB.LG.360E5613100	LINEAR GO MAXI DC 60W 4000K 45° 1200 GS	DL23100510955
XB.LG.315E6113100	LINEAR GO MAXI DC 15W 4000K 55° 320 GS	DL23100511255
XB.LG.330E6313100	LINEAR GO MAXI DC 30W 4000K 55° 600 GS	DL23100511355
XB.LG.345E6413100	LINEAR GO MAXI DC 45W 4000K 55° 900 GS	DL23100511455
XB.LG.360E6613100	LINEAR GO MAXI DC 60W 4000K 55° 1200 GS	DL23100511555
XB.LG.315E7113100	LINEAR GO MAXI DC 15W 4000K 30°x15° 320 GS	DL23100511855
XB.LG.330E7313100	LINEAR GO MAXI DC 30W 4000K 30°x15° 600 GS	DL23100511955
XB.LG.345E7413100	LINEAR GO MAXI DC 45W 4000K 30°x15° 900 GS	DL23100512055
XB.LG.360E7613100	LINEAR GO MAXI DC 60W 4000K 30°x15° 1200 GS	DL23100512155
XB.LG.315E8113100	LINEAR GO MAXI DC 15W 4000K 55°x15° 320 GS	DL23100512455
XB.LG.330E8313100	LINEAR GO MAXI DC 30W 4000K 55°x15° 600 GS	DL23100512555
XB.LG.345E8413100	LINEAR GO MAXI DC 45W 4000K 55°x15° 900 GS	DL23100512655
XB.LG.360E8613100	LINEAR GO MAXI DC 60W 4000K 55°x15° 1200 GS	DL23100512755
XB.LG.315H1113100	LINEAR GO MAXI DC 15W 5700K 12° 320 GS	DL23100513055
XB.LG.330H1313100	LINEAR GO MAXI DC 30W 5700K 12° 600 GS	DL23100513155
XB.LG.345H1413100	LINEAR GO MAXI DC 45W 5700K 12° 900 GS	DL23100513255
XB.LG.360H1613100	LINEAR GO MAXI DC 60W 5700K 12° 1200 GS	DL23100513355
XB.LG.315H4113100	LINEAR GO MAXI DC 15W 5700K 30° 320 GS	DL23100513655
XB.LG.330H4313100	LINEAR GO MAXI DC 30W 5700K 30° 600 GS	DL23100513755
XB.LG.345H4413100	LINEAR GO MAXI DC 45W 5700K 30° 900 GS	DL23100513855
XB.LG.360H4613100	LINEAR GO MAXI DC 60W 5700K 30° 1200 GS	DL23100513955
XB.LG.315H5113100	LINEAR GO MAXI DC 15W 5700K 45° 320 GS	DL23100514255
XB.LG.330H5313100	LINEAR GO MAXI DC 30W 5700K 45° 600 GS	DL23100514355
XB.LG.345H5413100	LINEAR GO MAXI DC 45W 5700K 45° 900 GS	DL23100514455
XB.LG.360H5613100	LINEAR GO MAXI DC 60W 5700K 45° 1200 GS	DL23100514555
XB.LG.315H6113100	LINEAR GO MAXI DC 15W 5700K 55° 320 GS	DL23100514855
XB.LG.330H6313100	LINEAR GO MAXI DC 30W 5700K 55° 600 GS	DL23100514955
XB.LG.345H6413100	LINEAR GO MAXI DC 45W 5700K 55° 900 GS	DL23100515055
XB.LG.360H6613100	LINEAR GO MAXI DC 60W 5700K 55° 1200 GS	DL23100515155
XB.LG.315H7113100	LINEAR GO MAXI DC 15W 5700K 30°x15° 320 GS	DL23100515455
XB.LG.330H7313100	LINEAR GO MAXI DC 30W 5700K 30°x15° 600 GS	DL23100515555
XB.LG.345H7413100	LINEAR GO MAXI DC 45W 5700K 30°x15° 900 GS	DL23100515655
XB.LG.360H7613100	LINEAR GO MAXI DC 60W 5700K 30°x15° 1200 GS	DL23100515755
XB.LG.315H8113100	LINEAR GO MAXI DC 15W 5700K 55°x15° 320 GS	DL23100516055
XB.LG.330H8313100	LINEAR GO MAXI DC 30W 5700K 55°x15° 600 GS	DL23100516155
XB.LG.345H8413100	LINEAR GO MAXI DC 45W 5700K 55°x15° 900 GS	DL23100516255
XB.LG.360H8613100	LINEAR GO MAXI DC 60W 5700K 55°x15° 1200 GS	DL23100516355

Fixtures (15W per 300mm / ft with Glare Shield)

Model No.	Description	Item Code
XB.LG.3151113100	LINEAR GO MAXI DC 15W 6500K 12° 320 GS	DL23100516655
XB.LG.33011313100	LINEAR GO MAXI DC 30W 6500K 12° 600 GS	DL23100516755
XB.LG.34511413100	LINEAR GO MAXI DC 45W 6500K 12° 900 GS	DL23100516855
XB.LG.36011613100	LINEAR GO MAXI DC 60W 6500K 12° 1200 GS	DL23100516955
XB.LG.31514113100	LINEAR GO MAXI DC 15W 6500K 30° 320 GS	DL23100517255
XB.LG.33014313100	LINEAR GO MAXI DC 30W 6500K 30° 600 GS	DL23100517355
XB.LG.34514413100	LINEAR GO MAXI DC 45W 6500K 30° 900 GS	DL23100517455
XB.LG.36014613100	LINEAR GO MAXI DC 60W 6500K 30° 1200 GS	DL23100517555
XB.LG.31515113100	LINEAR GO MAXI DC 15W 6500K 45° 320 GS	DL23100517855
XB.LG.33015313100	LINEAR GO MAXI DC 30W 6500K 45° 600 GS	DL23100517955
XB.LG.34515413100	LINEAR GO MAXI DC 45W 6500K 45° 900 GS	DL23100518055
XB.LG.36015613100	LINEAR GO MAXI DC 60W 6500K 45° 1200 GS	DL23100518155
XB.LG.31516113100	LINEAR GO MAXI DC 15W 6500K 55° 320 GS	DL23100518455
XB.LG.33016313100	LINEAR GO MAXI DC 30W 6500K 55° 600 GS	DL23100518555
XB.LG.34516413100	LINEAR GO MAXI DC 45W 6500K 55° 900 GS	DL23100518655
XB.LG.36016613100	LINEAR GO MAXI DC 60W 6500K 55° 1200 GS	DL23100518755
XB.LG.31517113100	LINEAR GO MAXI DC 15W 6500K 30°x15° 320 GS	DL23100519055
XB.LG.33017313100	LINEAR GO MAXI DC 30W 6500K 30°x15° 600 GS	DL23100519155
XB.LG.34517413100	LINEAR GO MAXI DC 45W 6500K 30°x15° 900 GS	DL23100519255
XB.LG.36017613100	LINEAR GO MAXI DC 60W 6500K 30°x15° 1200 GS	DL23100519355
XB.LG.31518113100	LINEAR GO MAXI DC 15W 6500K 55°x15° 320 GS	DL23100519655
XB.LG.33018313100	LINEAR GO MAXI DC 30W 6500K 55°x15° 600 GS	DL23100519755
XB.LG.34518413100	LINEAR GO MAXI DC 45W 6500K 55°x15° 900 GS	DL23100519855
XB.LG.36018613100	LINEAR GO MAXI DC 60W 6500K 55°x15° 1200 GS	DL23100519955

TX Connect

Model No.	Description	Item Code
N / A	STARTER CABLE JYK DC 5-PIN 0.5M	DA23100096155
N / A	STARTER CABLE JYK DC 5-PIN 2M	DA23100096255
N / A	INTERCONNECTION CABLE JYK DC 5-PIN 0.5M	DA23100096355
N / A	INTERCONNECTION CABLE JYK DC 5-PIN 2M	DA23100096455
N / A	END CAP JYK DC DATA 5-PIN W/TERM	DA23100096555
N / A	T-CABLE JYK 5-PIN DC POWER INJECTOR	DA23100096655
N / A	5-PIN POWERDATA to 4-PIN DATA CABLE JYK	DA23100096755
N / A	Y-CABLE JYK 5-PIN DC POWER INJECTOR	DA23100754955

TX Control

Model No.	Description	Item Code
N / A	TX SMART ADDRESSER	AM438260055
N / A	LED ENGINE 24V 100W OUTDOOR	AM175860055
N / A	LED ENGINE 24V 185W OUTDOOR	AM175880055
N / A	LED ENGINE 24V 320W OUTDOOR	AM089350055