

DALI2 Multi Sensor LS/MD



Highlights

The DALI2 Multi Sensor LS/MD for ceiling mounting is a DALI-2 certified device that combines a motion sensor and a light sensor. The device performs motion detection and measures illuminance. The DALI2 Multi Sensor LS/MD can be operated with D4i LED drivers or luminaires; the luminaires simply need to be connected to the mains supply. The result is increased comfort for occupants and significant energy savings that meet the most demanding energy regulations for buildings. The sensor is suitable for low-bay applications that require a large detection area and sensor-based automation.

The DALI2 Multi Sensor LS/MD can be powered via the DALI bus and does not require an additional power supply, which means simpler and faster wiring and installation.

- PIR motion detection
- Motion sensor instance type 3 (303)
- Illuminance measurement
- Light sensor instance type 4 (304)
- Recessed ceiling installation
- Cost-effective solution for energy savings
- Compatible with universal DALI-2 compliant central control unit that supports sensor input devices

Delivery Content

Identcode

- | Delivery Content | Identcode |
|-----------------------------------|-------------|
| • SYMPHO DALI2 Multi Sensor LS/MD | AM466320055 |
| • Welcome note | |
| • Instructions | |

Optional accessories

- | | |
|-------------------|-------------|
| • SYMPL dali Node | AB444230035 |
|-------------------|-------------|

e:cue Interfaces

Lighting applications are heterogenous by nature. e:cue interfaces serve to integrate many networks, protocols and third party products into e:cue solutions. They also aid in applying special control functions for fixtures, they integrate analog or mechanical signaling into the digital world and offer bridging functions. e:cue interfaces are the links to bring together the many techniques and technologies of lighting control.

Product Specifications

Dimensions (W x H x D)	83 x 83 (67 x 67) x 21 mm / 3.27 x 3.27 (2.64 x 2.64) x 0.83 in
Cutting Hole	70 ... 73 mm / 2.76 .. 2.87 in
Material / Color	ABS / White
Wire Gauge	0.2 ... 1.3 mm ²
Stripping Length	7 ... 9 mm / 0.28 ... 0.35 in
Certificates	CE, UKCA, DALI-2, RoHS

Electrical information

Power Supply	DALI Bus
Max. DALI Current Draw	6 mA
Control	DALI
Marking Terminals	DA, DA
Motion Detection Indicator	Red (motion detection)
DALI Indicator	Green (DALI)

Sensing

Motion Detection (62386 - 303)	PIR sensor
Light Sensor (62386 - 304)	Event: 0 ... 1000 Lux (10 bit), resolution: 10 Lux
Mounting Height	recommended height: 2.5 m / 8.2 ft
Detection Angle	130 °
Function	Configurable

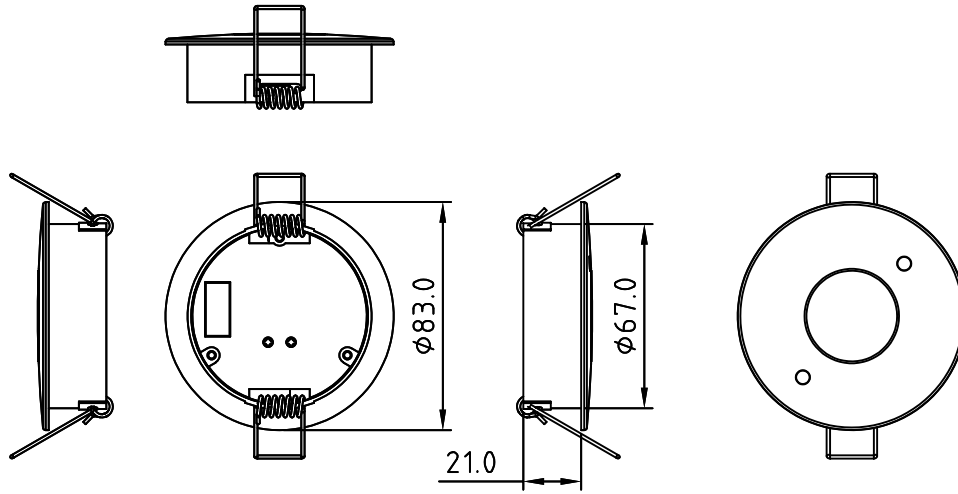
Environment

Operating Temperature Range	0 ... 40 °C / 32 .. 104 °F, indoor use only
Operating Humidity	0 ... 95% (non condensing)
Storage Temperature Range	-20 ... 70 °C / -4 ... 158 °F
Storage Humidity	15 ... 90% (non condensing)

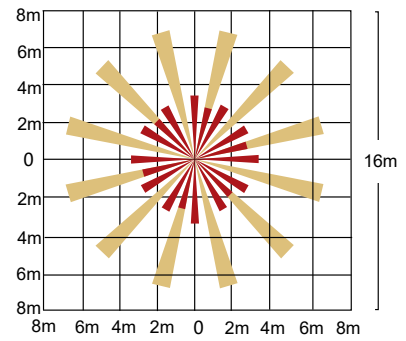
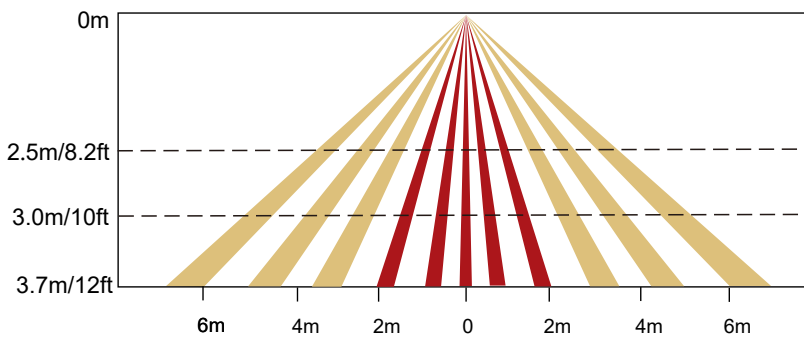


DALI2 Multi Sensor LS/MD

Dimensions



Detection Coverage



System diagram

A) e:net (ethernet based protocol)
B) DALI

