

DALI-2 Multi Sensor HF



Highlights

The DALI-2 Multi Sensor HF for ceiling mounting is a DALI-2 and D4i-certified device that combines a motion sensor and a light sensor. The device performs motion detection and measures illuminance. The D4i-certified DALI-2 Multi Sensor HF can be operated with D4i LED drivers or luminaires; the luminaires simply need to be connected to the mains supply. The result is increased comfort for occupants and significant energy savings that meet the most demanding energy regulations for buildings. The sensor is suitable for high-bay applications that require a large detection area and sensor-based automation.

The DALI-2 Multi Sensor HF can be powered via the DALI bus and does not require an additional power supply, which means simpler and faster wiring and installation.

- Microwave motion detection
- Two antennas, large detection area
- Motion sensor instance type 3 (303)
- Illuminance measurement
- Light sensor instance type 4 (304)
- DALI-2 & D4i certified
- Recessed ceiling installation
- Cost-effective solution for energy savings
- Compatible with universal DALI-2 compliant central control unit that supports sensor input devices

Delivery Content

Identcode

- | Delivery Content | Identcode |
|---------------------------------|---------------|
| • SYMPHO DALI-2 Multi Sensor HF | CL23100279855 |
| • Welcome note | |
| • Instructions | |

Optional accessories

- | | |
|-------------------|-------------|
| • SYMPL dali Node | AB444230035 |
|-------------------|-------------|

e:cue Interfaces

Lighting applications are heterogenous by nature. e:cue interfaces serve to integrate many networks, protocols and third party products into e:cue solutions. They also aid in applying special control functions for fixtures, they integrate analog or mechanical signaling into the digital world and offer bridging functions. e:cue interfaces are the links to bring together the many techniques and technologies of lighting control.

Product Specifications

Dimensions (W x H x D)	83 x 83 (67 x 67) x 21 mm / 3.27 x 3.27 (2.64 x 2.64) x 0.83 in
Cutting Hole	70 ... 73 mm / 2.76 .. 2.87 in
Material / Color	ABS / White
Wire Gauge	0.2 ... 1.3 mm ²
Stripping Length	7 ... 9 mm / 0.28 ... 0.35 in
Certificates	CE, UKCA, DALI-2, D4i, RoHS

Electrical information

Power Supply	DALI Bus
Max. DALI Current Draw	10 mA
Control	DALI
Marking Terminals	DA, DA
Motion Detection Indicator	Red (motion detection)
DALI Indicator	Green (DALI)

Sensing

Motion Detection (62386 - 303)	Microwave sensor
Microwave High Frequency	5.8 GHz ±75 MHz ISM band
Detection Sensitivity	0-15 configurable, 0 is the highest sensitivity
Light Sensor (62386 - 304)	Event: 0 ... 1000 Lux (10 bit), resolution: 10 Lux
Mounting Height	recommended height: 4-8 m / 13 ... 26 ft
Detection Angle	wall: 150 °; ceiling: 360°
Function	Configurable

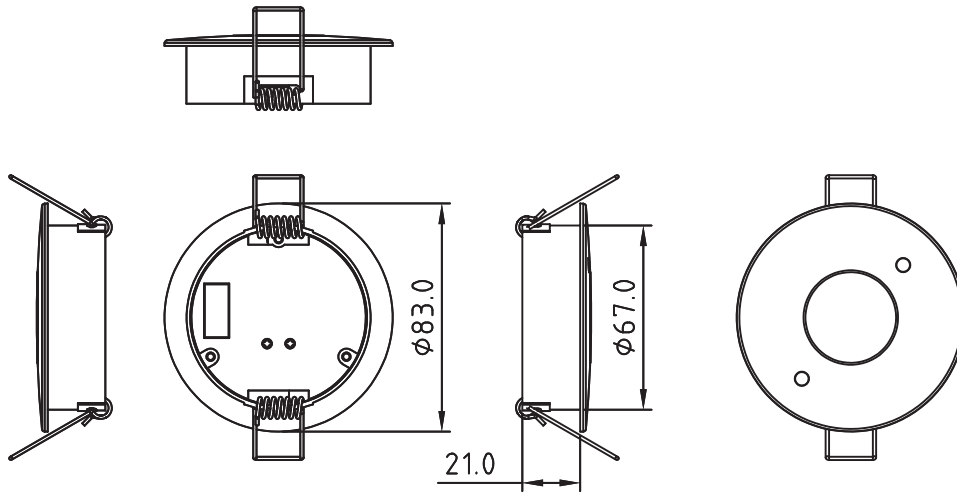
Environment

Operating Temperature Range	0 ... 45 °C / 32 .. 113 °F, indoor use only
Operating Humidity	0 ... 95% (non condensing)
Storage Temperature Range	-20 ... 70 °C / -4 ... 158 °F
Storage Humidity	15 ... 90% (non condensing)



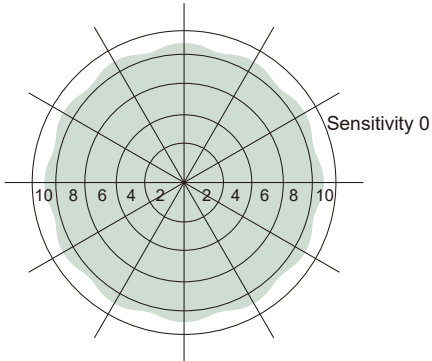
DALI-2 Multi Sensor HF

Dimensions

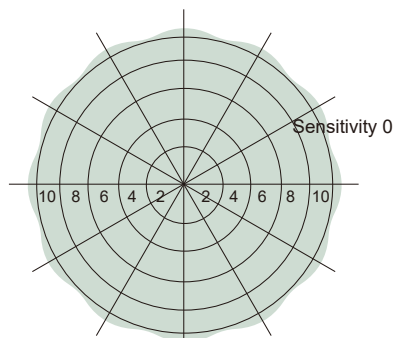


Detection Coverage

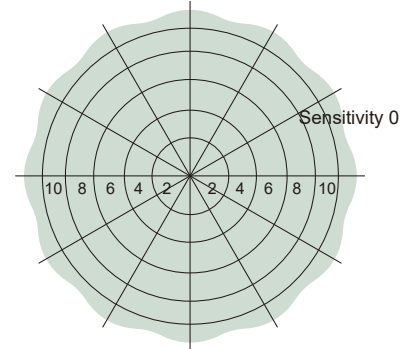
Ceiling Pattern (Unit: m)
Installation Height: 2.5m



Ceiling Pattern (Unit: m)
Installation Height: 5m

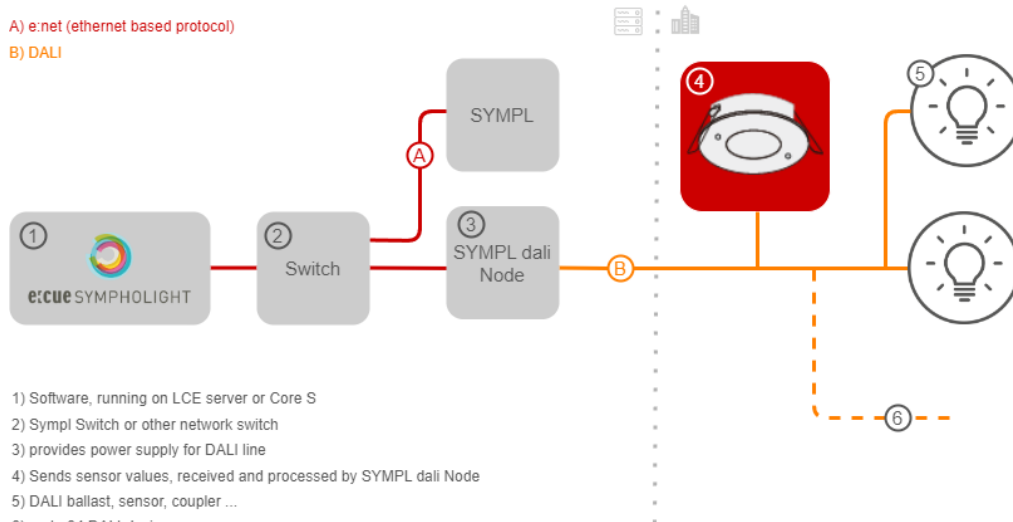


Ceiling Pattern (Unit: m)
Installation Height: 10m



System diagram

A) e:net (ethernet based protocol)
B) DALI



- 1) Software, running on LCE server or Core S
- 2) Sympl Switch or other network switch
- 3) provides power supply for DALI line
- 4) Sends sensor values, received and processed by SYMPL dali Node
- 5) DALI ballast, sensor, coupler ...
- 6) up to 64 DALI devices