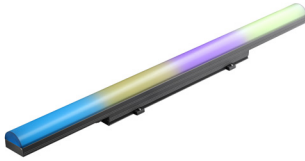




Project: _____
 Type: _____



ProPoint Kontour Round Wide RGB

The Traxon ProPoint Kontour is an AC line powered exterior luminaire used to distinguish facades, walls, and architectural borders with a concentrated, even radiance. ProPoint Kontour's compact, lowprofile design is available in four lengths, two widths and is combined with a clip mounting system for efficient installation. This product is intended for use in high-quality colored light applications.



Product Specifications

	300mm	600mm	1200mm	2400mm
Model	Kontour Round Wide			
Light Source	RGB			
LED Quantity	RGB x 30pcs	RGB x 60pcs	RGB x 120pcs	RGB x 240pcs
Pixel Options	1PXL	1PXL or 2PXL	1PXL, 2PXL or 4PXL	1PXL, 2PXL, 4PXL or 8PXL
Beam Angle	100° x 125°			
Luminous Flux	102 lm	205 lm	410 lm	817 lm
Efficacy	20 lm/W			
Lumen Maintenance	L70 @25°C 81,000hrs			
Cover Lens	Round diffused UV stable acrylic			
Housing	Extruded aluminum			
Housing Finish Options	Gray (RAL7015), Black (RAL9005), White (RAL9003)			
Mounting	Low Profile Mounting Brackets (x2 per length)			
Dimensions (L)	300mm / 11.8"	600mm / 23.6"	1200mm / 47.2"	2400mm / 94.5"
(W x H)	75mm x 89.4mm / 3" x 3.5"			
Weight	1.35 kg / 2.98 lbs.	1.86 kg / 4.10 lbs.	3.11 kg / 6.86 lbs.	5.42 kg / 11.95 lbs.
EPA (sq.ft)	Front	0.078		
	Side	0.392	0.630	1.173
	Front 45°	0.2771	0.4454	0.8293
Regulatory Listing & Safety Approval	CE, IEC 60598-2-3, 3G ANSI C136.31, IK07			
Operating Temperature	-30°C to +55°C / -22°F to +131°F			
Storage Temperature	-40°C to +80°C / -40°F to +176°F			
Environment	Outdoor (IP66), suitable for coastal environments			
Humidity	85%, non-condensing			

Electrical Specifications

Input Voltage	220-240V AC 50/60Hz			
Power Consumption	5W	10W	20W	40W
Power Factor	≥ 0.9			

System Specifications

Control	DMX 512
Power Supply	Integral
Addressing Options	Auto-Addressed with Data Injector
Pixel Control	Standard luminaire controlled by 300mm / 12". Factory configurable pixel control on request, check with your local sales office for more information.

LED CHARACTERISTICS Because LEDs are semiconductor devices, their performances are subject to inherent variability commonly found in semiconductor industry. To improve consistency in performance across the same product, LED manufacturers "sort" LEDs into bins according to different preset parameters, such as forward driving voltage, illumination, etc. Whereas binning is a sorting function, it is not a correction process. Inherent variability in the manufacturing process results always in different binning distributions according to different production lots. Traxon uses automatically binned LEDs on its products, thereby minimizing output variations within the model range.

As with all electronic devices, LED output degrades over time – a term called lumen depreciation. This also explains why it is nearly impossible to expect photometric performances of two LED products with different service life spans to be the same. The rate of LED degrade is a complicate function of many factors such as operating efficiency, duration of continuous operation, and more significantly, environmental conditions (ambient temperature for example). If allowed working under optimal operating temperature range and with good ventilation, LED devices enjoy long service lives over conventional light sources. When using/installing LED devices, care should be taken to ensure that the devices will operate within the operating conditions specified in respective product literature.

This product contains a light source of energy efficiency class G to Regulation (EU) No 2019/2015. Lumen measurement complies with LM-79-08 standard. Lumen maintenance is calculated based on LM-80 compliant measurement.



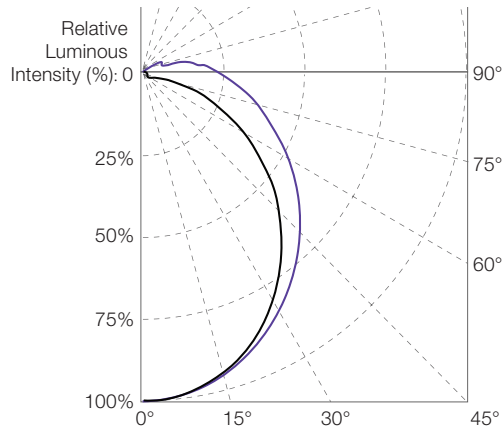
ProPoint Kontour Round Wide RGB

Photometrics

Source Specifications

Optics 100° x 125°

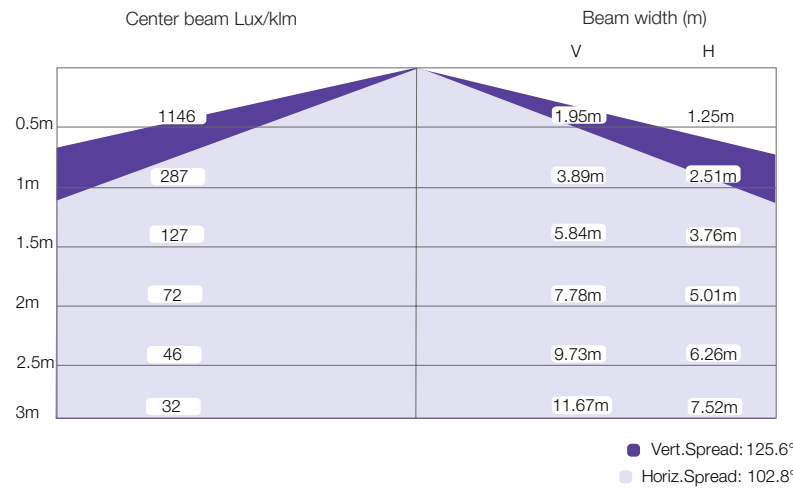
Candela Distribution



Light Output

Color	Luminous Flux (lm)	Efficacy (lm/W)
300mm		
RGB (full-on)	102.2	19.7
Red	26.5	12.6
Green	63.1	29.9
Blue	12.9	6.1
600mm		
RGB (full-on)	204.9	19.8
Red	53.2	12.7
Green	126.3	29.9
Blue	25.8	6.1
1200mm		
RGB (full-on)	409.7	19.8
Red	106.4	12.7
Green	252.7	29.9
Blue	51.6	6.1
2400mm		
RGB (full-on)	816.8	19.7
Red	211.2	12.6
Green	504.6	30.4
Blue	103.4	6.1

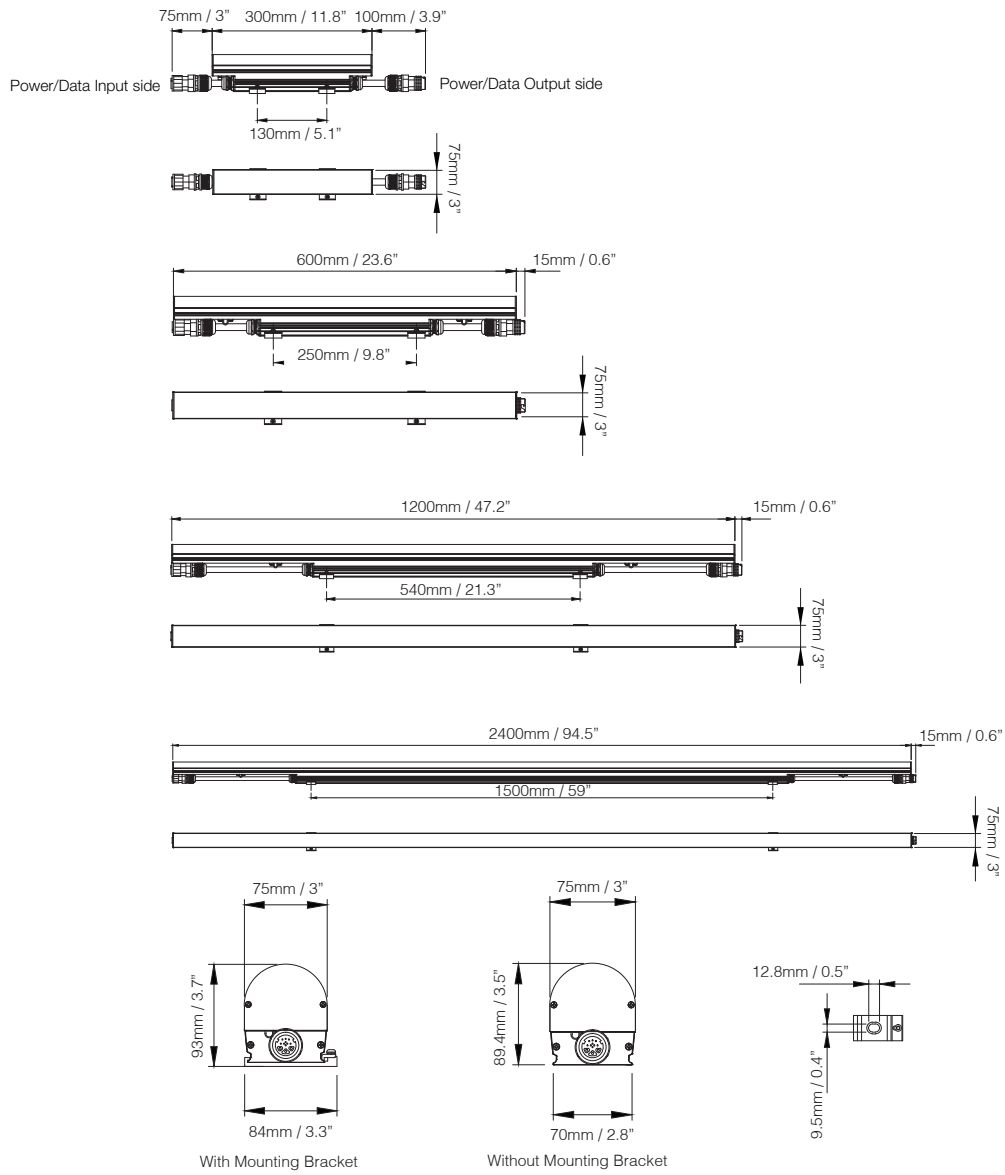
Illuminance at a Distance



For fc (foot candle) divide by 10.7

For feet multiply by 3.28

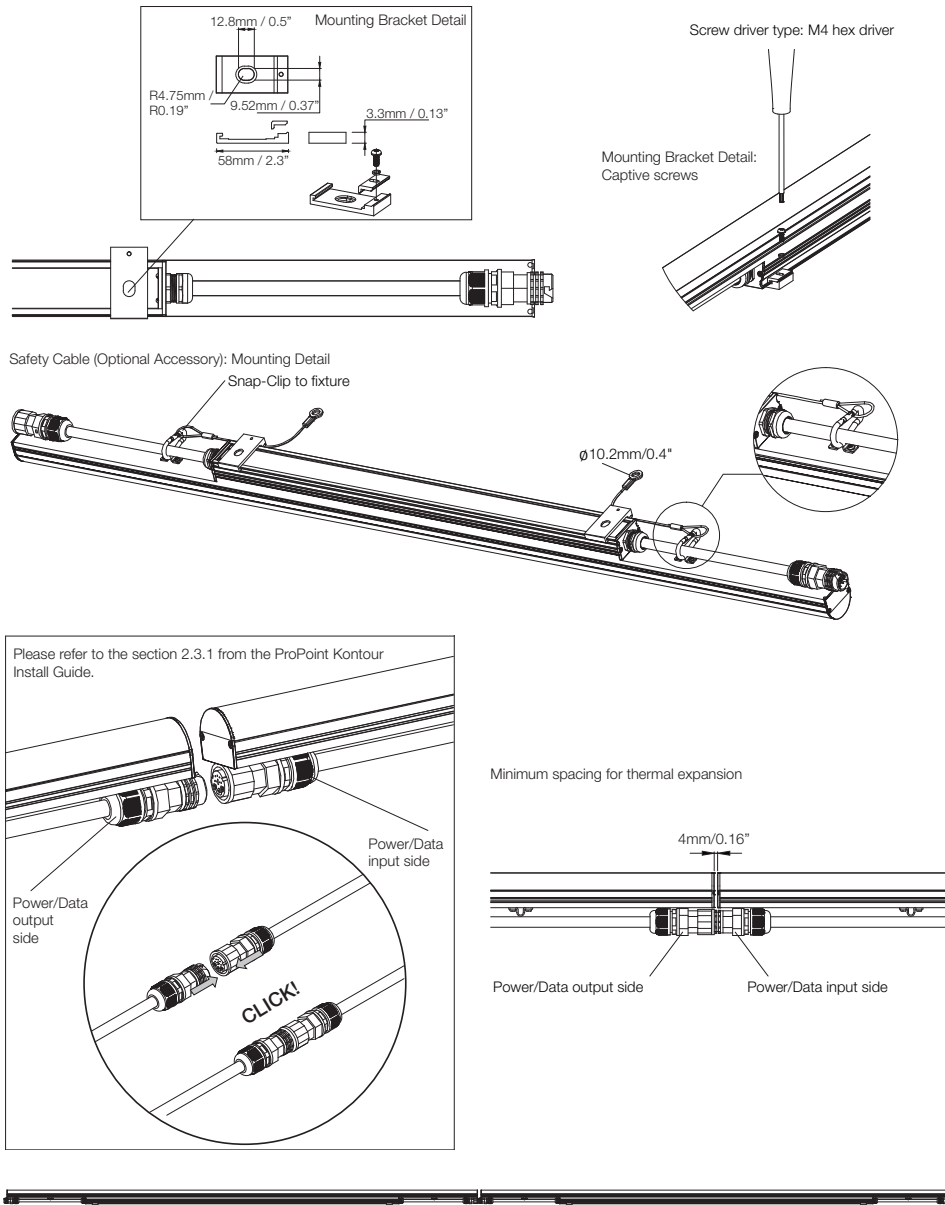
IES and LDT files are available for download from the Traxon website.

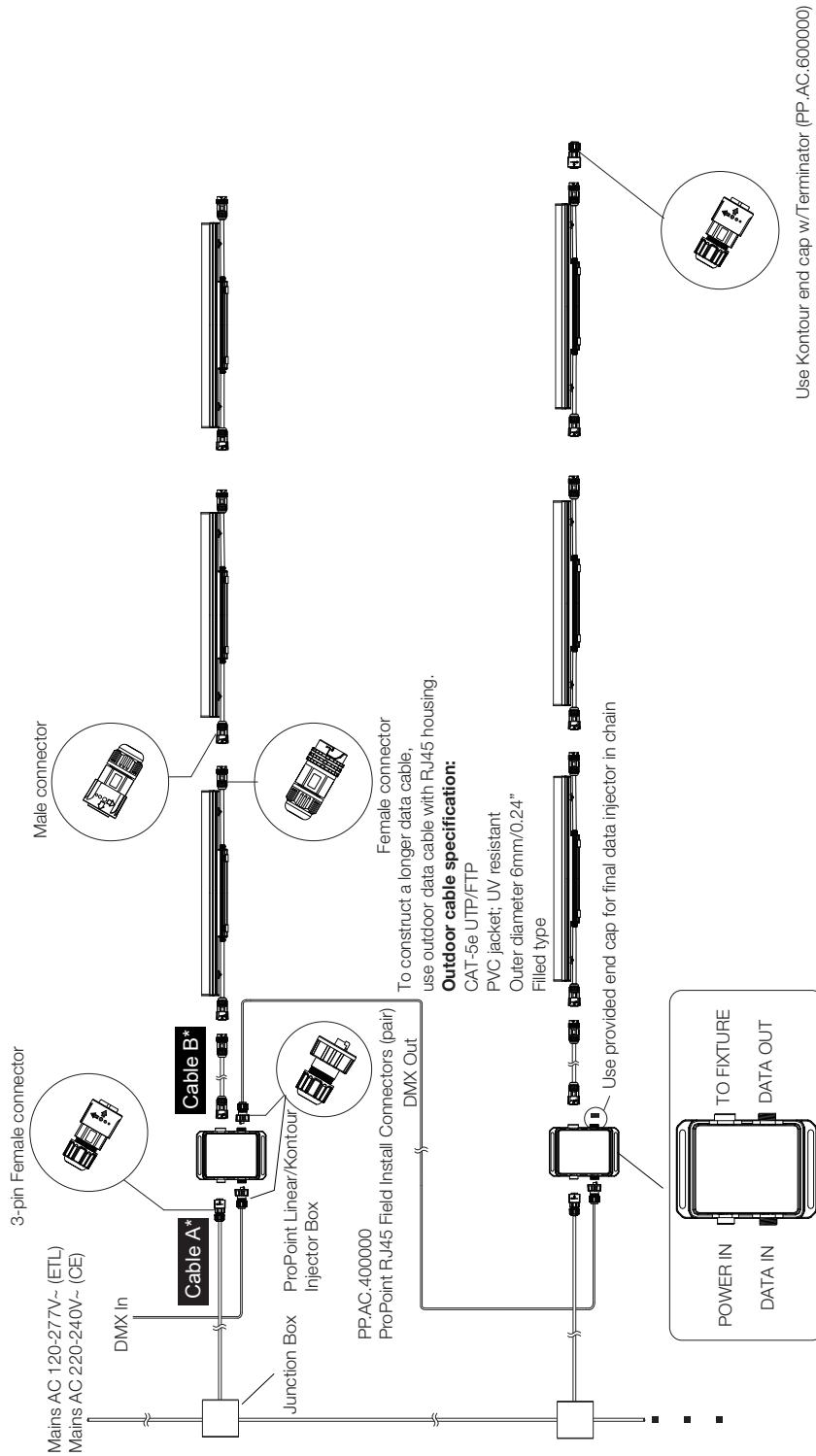




ProPoint Kontour Round Wide RGB

Mounting





1. All ordering information of accessories can be referred to next page.
 2. All interconnection information can be referred to next page.
- * Cable A; Cable B: Please refer to System Diagram Accessories table for options.



ProPoint Kontour Round Wide RGB

System Diagram

Wiring Information Details

ProPoint Kontour Wide -CE

220V-240V

Model	Power Consumption (Typ.)	Input Voltage	Max Connected Chain
300mm	5W	220-240V	512
600mm	10W	220-240V	320
1200mm	20W	220-240V	150
2400mm	40W	220-240V	80

Accessories (ETL / CE)

Model No.	Description	Item Code
PP.AC.100001	ProPoint Linear/Kontour Injector Box	AM374890055
PP.AC.100002	ProPoint Linear/Kontour Injector Box BL	AM374900055
PP.AC.100003	ProPoint Linear/Kontour Injector Box WT	AM374910055
PP.AC.600000	PP LIN/KON End Cap W / TERM.	AM380550055
PP.AC.400000	ProPoint RJ45 Field Install Connectors (pair)	AM380560055

Accessories (CE)

Cable Type	Model No.	Description	Item Code
Cable A*	PP.A2.303000	3M PP Linear Power Input Cable CE	AM374840055
Cable B*	KO.KB.610000	10M Kontour PWR/DATA INT CBL CE	AM357520155
Cable B*	KO.KB.601000	1M Kontour PWR/DATA INT CBL CE	AM357490155
Cable B*	KO.KB.602000	2M Kontour PWR/DATA INT CBL CE	AM357500155
Cable B*	KO.KB.603000	3M Kontour PWR/DATA INT CBL CE	AM357510155

* All cables come pre-wired with male / female connectors.



ProPoint Kontour Round Wide RGB

Ordering

Model Number

KXX	.	3	.	9	A	0	6	2	.	X	.	XX
Kontour Length	Width	Control	Color	CCT	Approbation	Lens	Finish	Pixel Config				
K1L: 300mm	3: Wide	9: DMX	A: RGB		6: CE	2: Diffused Round Lens	1: Gray	01: 1PXL				
K2L: 600mm							2: Black	02: 2PXL				
K4L: 1200mm							3: White	04: 4PXL				
K8L: 2400mm								08: 8PXL				

*Abbreviations in Description

WD: Wide NW: Narrow R: Round BL: Black WT: White

Fixtures

Model No.	Description	Item Code
K1L.3.9A0621.01	ProPoint Kontour R 0.3 WD RGB 1PXL CE	AM403950055
K2L.3.9A0621.01	ProPoint Kontour R 0.6 WD RGB 1PXL CE	AM403970055
K2L.3.9A0621.02	ProPoint Kontour R 0.6 WD RGB 2PXL CE	AM404730055
K4L.3.9A0621.01	ProPoint Kontour R 1.2 WD RGB 1PXL CE	AM403990055
K4L.3.9A0621.04	ProPoint Kontour R 1.2 WD RGB 4PXL CE	AM404750055
K8L.3.9A0621.01	ProPoint Kontour R 2.4 WD RGB 1PXL CE	AM404010055
K8L.3.9A0621.08	ProPoint Kontour R 2.4 WD RGB 8PXL CE	AM404770055
K1L.3.9A0622.01	ProPoint Kontour R 0.3 WD RGB 1PXL BL CE	AM404030055
K2L.3.9A0622.01	ProPoint Kontour R 0.6 WD RGB 1PXL BL CE	AM404050055
K2L.3.9A0622.02	ProPoint Kontour R 0.6 WD RGB 2PXL BL CE	AM404790055
K4L.3.9A0622.01	ProPoint Kontour R 1.2 WD RGB 1PXL BL CE	AM404070055
K4L.3.9A0622.04	ProPoint Kontour R 1.2 WD RGB 4PXL BL CE	AM404810055
K8L.3.9A0622.01	ProPoint Kontour R 2.4 WD RGB 1PXL BL CE	AM404090055
K8L.3.9A0622.08	ProPoint Kontour R 2.4 WD RGB 8PXL BL CE	AM404830055
K1L.3.9A0623.01	ProPoint Kontour R 0.3 WD RGB 1PXL WT CE	AM404110055
K2L.3.9A0623.01	ProPoint Kontour R 0.6 WD RGB 1PXL WT CE	AM404130055
K2L.3.9A0623.02	ProPoint Kontour R 0.6 WD RGB 2PXL WT CE	AM404850055
K4L.3.9A0623.01	ProPoint Kontour R 1.2 WD RGB 1PXL WT CE	AM404150055
K4L.3.9A0623.04	ProPoint Kontour R 1.2 WD RGB 4PXL WT CE	AM404870055
K8L.3.9A0623.01	ProPoint Kontour R 2.4 WD RGB 1PXL WT CE	AM404170055
K8L.3.9A0623.08	ProPoint Kontour R 2.4 WD RGB 8PXL WT CE	AM404890055



ProPoint Kontour Round Wide RGB

Ordering

Accessories (ETL / CE)

Model No.	Description	Item Code
PP.AC.100001	ProPoint Linear/Kontour Injector Box	AM374890055
PP.AC.100002	ProPoint Linear/Kontour Injector Box BL	AM374900055
PP.AC.100003	ProPoint Linear/Kontour Injector Box WT	AM374910055
PP.AC.600000	PP LIN/KON End Cap W / TERM.	AM380550055
PP.AC.400000	ProPoint RJ45 Field Install Connectors (pair)	AM380560055

Accessories (CE)

Model No.	Description	Item Code
PP.A2.303000	3M PP Linear Power Input Cable CE	AM374840055
KO.KB.610000	10M Kontour PWR/DATA INT CBL CE	AM357520155
KO.KB.601000	1M Kontour PWR/DATA INT CBL CE	AM357490155
KO.KB.602000	2M Kontour PWR/DATA INT CBL CE	AM357500155
KO.KB.603000	3M Kontour PWR/DATA INT CBL CE	AM357510155

Accessories (Optional)

Model No.	Description	Item Code
KO.AA.900010	Kontour Safety Cable 0.25M (10")	AM403000055