



TRAXON

TRAXON Go⁺

WasherGo⁺

INSTALLATION GUIDE



V1.0

Content

1.	Safety And Operation	3
2.	Introduction	4
3.	Installation	7
4.	System Config	11
5.	Care and Maintenance	16
6.	Technical Specification	17
7.	Troubleshooting	18
8.	Warranty Statement	18

For your own safety and that of the product, please read this installation guide carefully before beginning setup and installation.

1. Safety And Operation



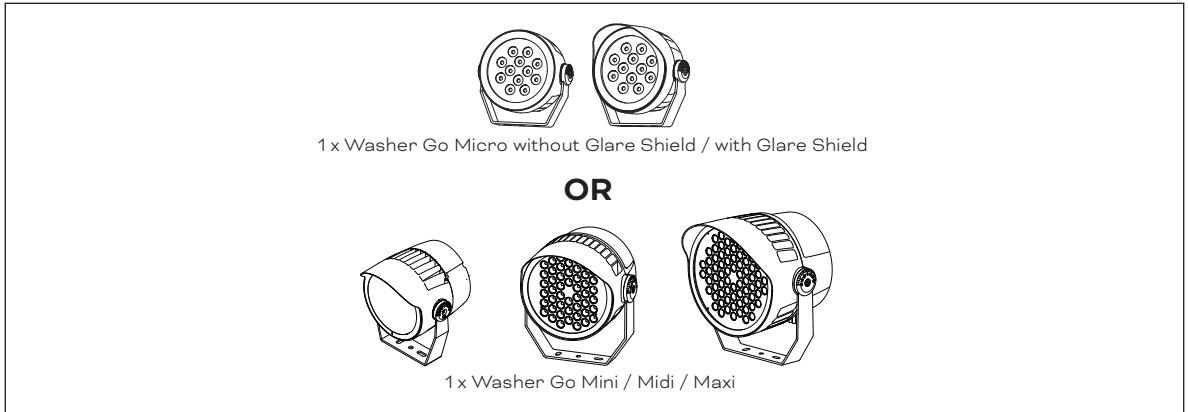
Please read through Safety and Operation before start of the installation.

1. CAUTION - Unplug the power supply from the mains power before connecting any cables as this can damage the products.
2. CAUTION - Avoid looking directly into the LED light source at close range for your own safety.
3. Persons installing this product should make sure:
 - a. The installation complies with all applicable codes, state and local laws, ordinances, standards and safety regulations.
 - b. The installation environment is carefully studied and suitable surge protection measure(s) is taken.
 - c. He or she is qualified for the handling of electrical equipment.
4. Do not attempt to install or use the product until installation instructions and safety labels are fully understood. This product is designed for indoor and outdoor use.
5. Ensure product operates within the specified temperature range.
6. Do not attempt to open the product. Not user serviceable.
7. Do not attempt to open the product. Not user serviceable. Do not attempt to service or repair the product(s) unless done by an authorized service personnel. Any product(s) opened in the field or with signs of this will be denied warranty. Contact your local Traxon office or distributor for details.
8. Do not use the product if any part of it, or the power cables are damaged.
9. Only use product for specified voltage, do not exceed.
10. Always maintain connection to ensure waterproofing.
11. If the product has been subjected to drastic temperature variances, for example, following transportation, do not connect the fixture until it has reached room temperature, as moisture condensation may cause electric shock and product damages.
12. When installing the products and system power supplies, please ensure they will not be exposed to moisture and extreme heat (and direct sunlight for outdoor products). Besides, keep a clean operating environment for the fixtures and system power supplies.
13. Any non-compliance of the Installation Guide will void the Traxon warranty.
14. Please study this Installation Guide thoroughly and check the latest Technical Specification Sheets available from the Traxon website www.traxon-ecue.com before setup.

2. Introduction

2.1 Packing Contents

FIG.1: Washer Go Packing Contents



2.2 Dimensions

2.2.1 Luminaire Dimensions

FIG.2: Washer Go Micro (without Glare Shield)

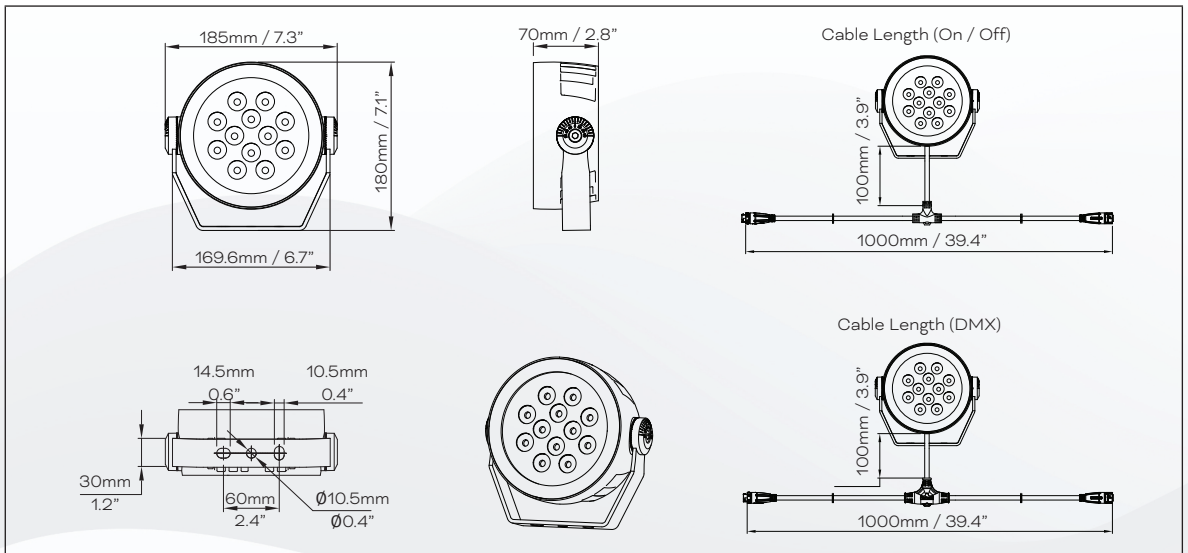


FIG.3: Washer Go Micro (with Glare Shield)

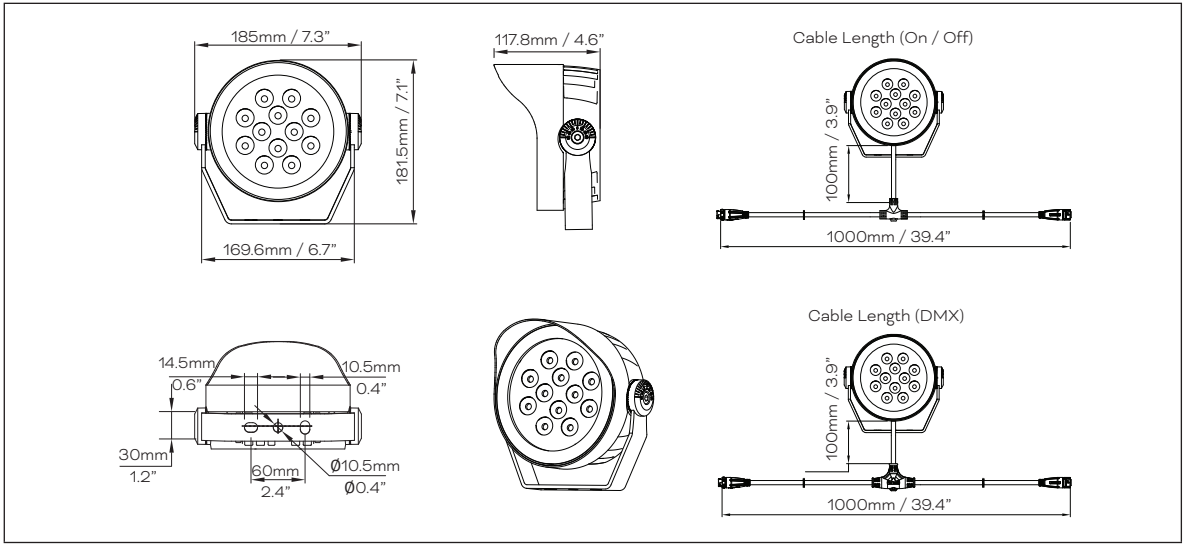


FIG.4: Washer Go Mini

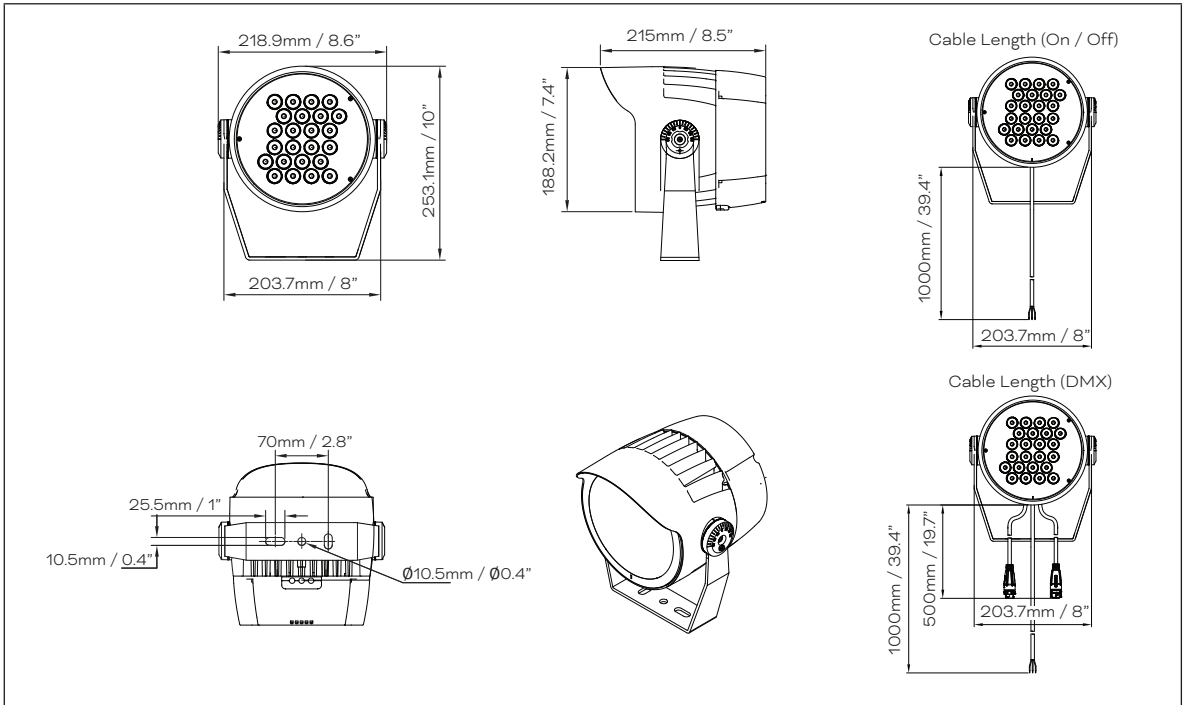


FIG.5: Washer Go Midi

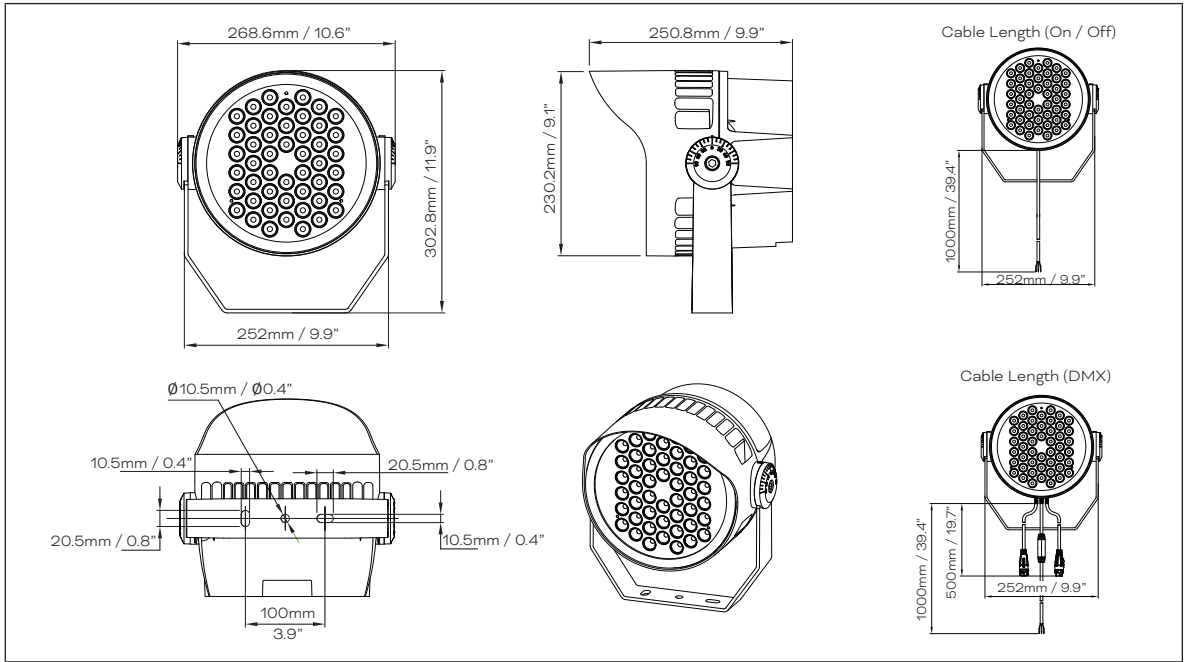
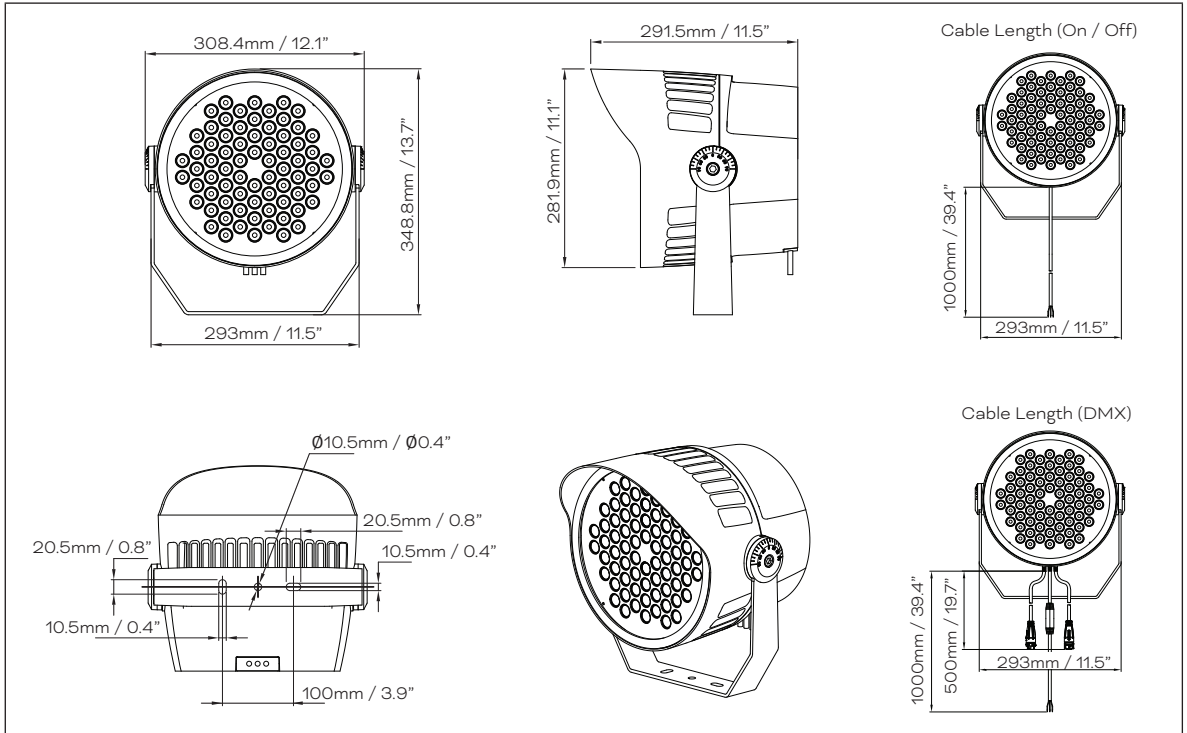


FIG.6: Washer Go Maxi



3. Installation

3.1 Points To Consider

Plan your installation before mounting the Washer Go. The following should be considered for a successful installation.

- Weather conditions and ambient temperature of installation site.
- Appropriate cable lengths (cable gauges described in system diagram). Please consult your local Traxon office or authorized agent for necessary aid.
- The number of the Washer Go and appropriate LED Engines.
- Proper control set up (e.g. DMX control) of the Washer Go.
- Mounting distances should be considered.
- Proper surge protection.

3.2 Pre-Installation Checks

3.2.1 Installation Checklist

1. Prepare cables and all necessary accessories (Waterproof Quick Lock End Caps etc).
2. Perform functional check of the Washer Go. Take care not to damage cables/connectors during pre-installation checks.
3. Ensure all pre-installation checks laid out below have been followed.
4. Mount the Washer Go on-site. If the installation is to be left uncompleted overnight, place all non-connected LED Engines and the Washer Go in an indoor environment.
5. All units must be connected or utilize end caps to protect from water ingress.

Ensure all the Interconnection Cables, Washer Go and LED Engines are initially stored in a dry area to guarantee the complete sealing of the system from water before installation.

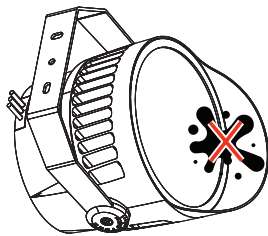
3.2.2 Installation Sequence

1. Measure the correct distances for brackets and install the Washer Go fixtures.
2. Connect the Washer Go in the daisy-chain manner outlined in the System Diagram.
3. Perform functional check on all the Washer Go and inspect cables and brackets for any damage. Check for any abnormalities with the control signal.
4. Report any functional defect found to your nearest Traxon Technologies office. DO NOT attempt to install the Washer Go with functional defects on-site.


3.3 On-Site Installation

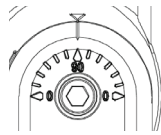


- DO NOT attempt installation in wet or severe weather conditions.
- DO NOT leave and expose any Washer Go or LED Engines unconnected under wet/raining or snowing environment.
- IP failure induced by stressed/damaged cables during or after installation will not be under warranty.
- ALWAYS keep the cables protected from sharp objects and ensure no damage is generated to the cable.
- Failure to keep Washer Go within the operating temperature range of -30°C to +55°C (-22°F to +131°F) and storage temperature range of -40°C to +80°C (-40°F to +176°F) will void the product's warranty.
- For Washer Go Midi or Maxi, if mounting upside-down is required, please contact your local Traxon office or distributor for details.
- Check the metal material corrosion compatibility of luminaire housing, screw & mounting.
- Add isolation spacer to separate the luminaire housing surface, screw & mounting material to prevent corrosion, for those metal combinations with high galvanic corrosion risk.
- Choose the screw / nuts / bolts with the best corrosion resistance grade (e.g. SUS316), which complies with C5 class in accordance with ISO9223.
- DO NOT damage the coating of luminaire housing, otherwise, it will reduce the corrosion resistance of the product.
- DO NOT directly contact the luminaire housing with non-compatible metal.
- DO NOT install the fixture that would allow water/dirt to trap over the Glare Shield



3.3.1 Installation Tool Summary

Model	Allen Screw Position	Allen Screw Size	Hex Key Size
Washer Go Micro / Mini		M8 (angle adjust)	6mm



3.3.2 Washer Go Surface Installation

1. Install expansion screws on the fixed surface.
2. Fix the bracket in place using nuts with flat washers*.
* Flat washers are recommended with nuts to avoid scratching off the powder coating when tightening the nuts in order to prevent galvanic corrosion.
3. Adjust desired angles.
4. Tighten the bracket bolts to fix the luminaire to the desired angle.

FIG.7: Washer Go Micro / Mini Surface Installation

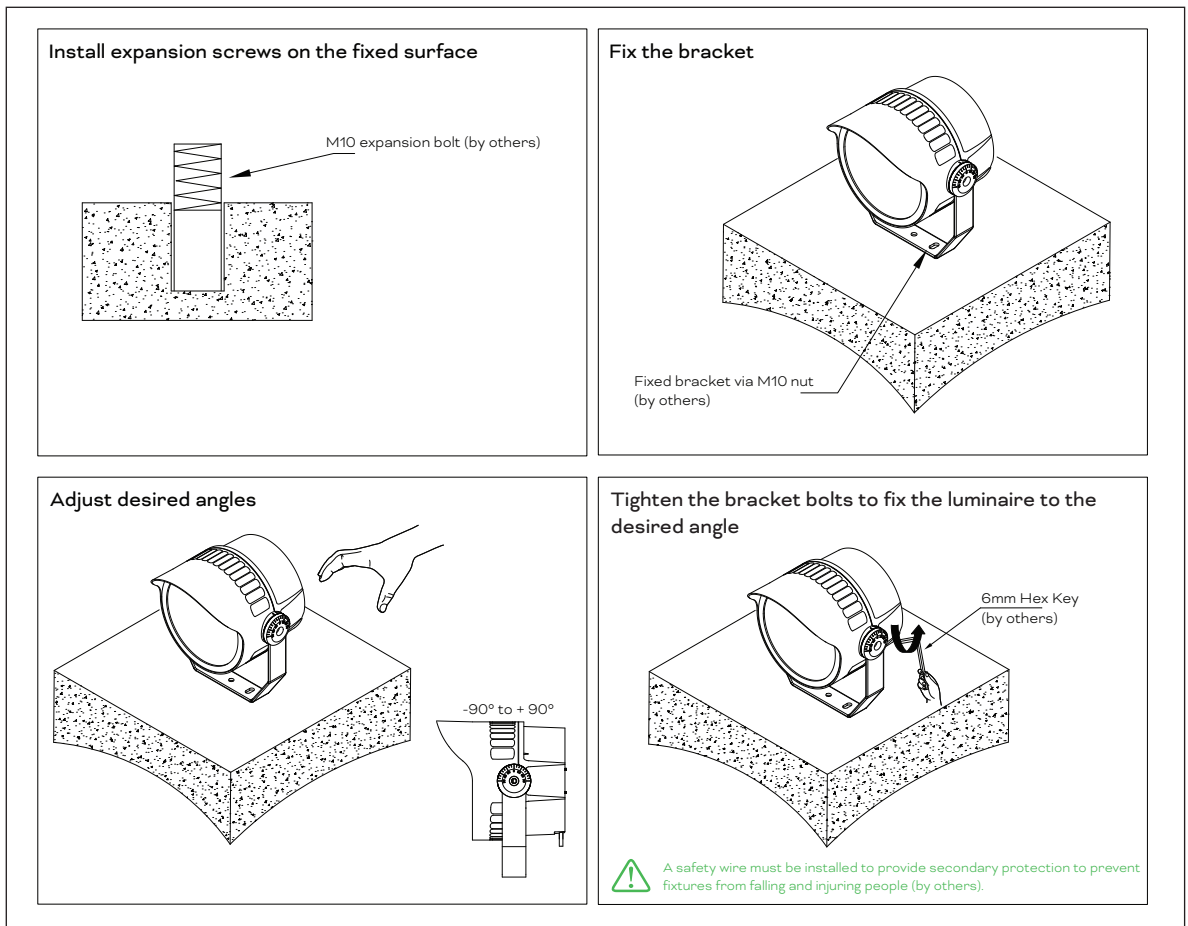
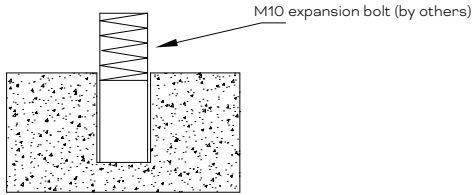
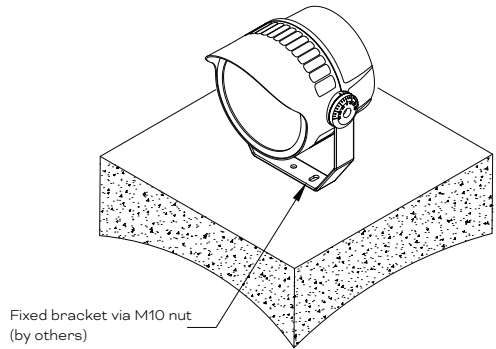


FIG.8: Washer Go Midi / Maxi Surface Installation

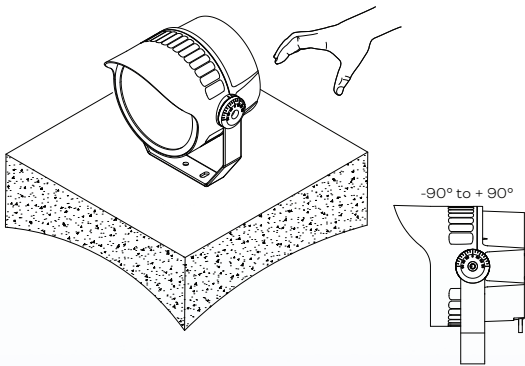
Install expansion screws on the fixed surface



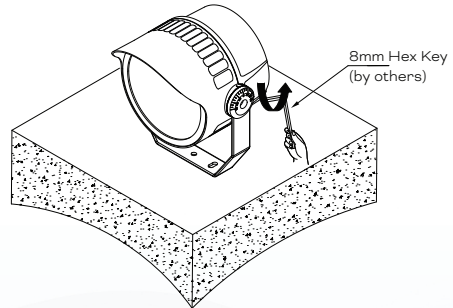
Fix the bracket



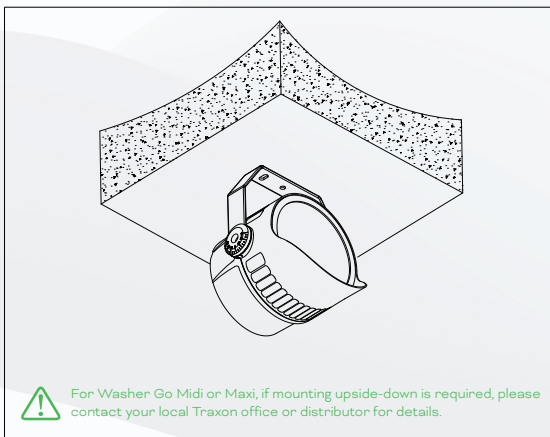
Adjust desired angles



Tighten the bracket bolts to fix the luminaire to the desired angle



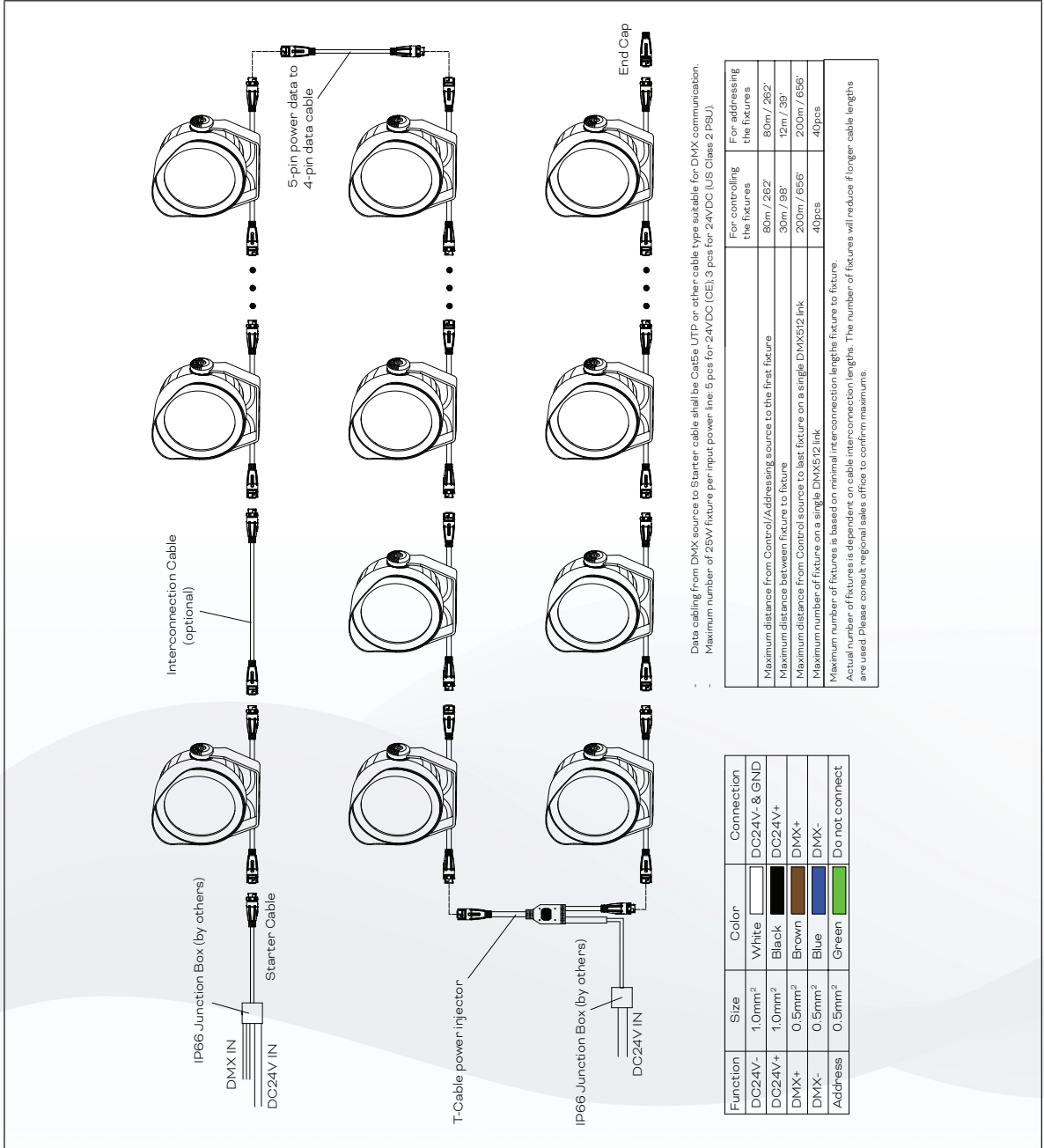
⚠ A safety wire must be installed to provide secondary protection to prevent fixtures from falling and injuring people (by others).



4. System Config

4.1 Washer Go DC DMX Wiring Diagram

FIG.9: T-cable Wiring Diagram



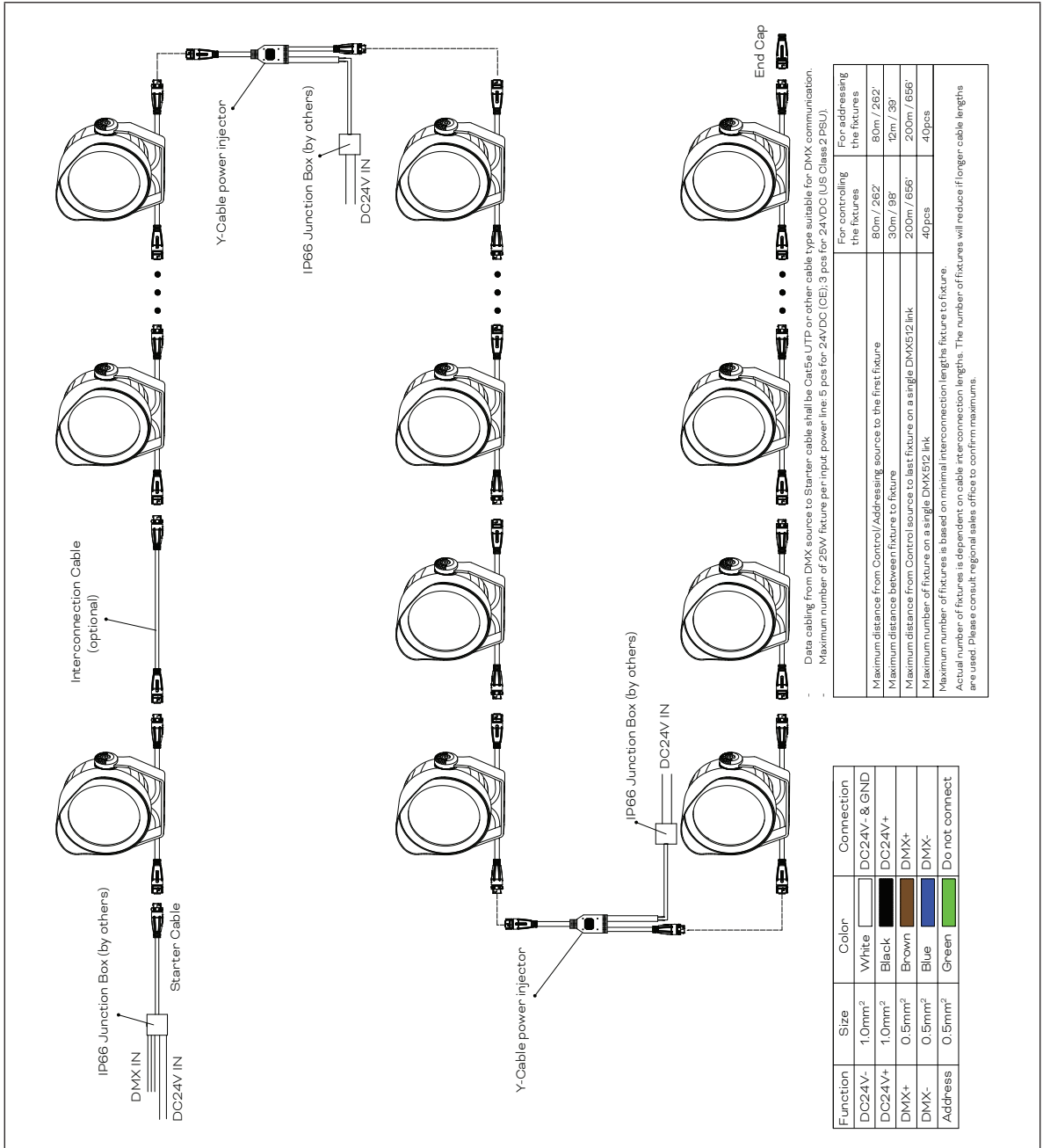
Data cabling from DMX source to Starter cable shall be Cat5e UTP or other cable type suitable for DMX communication.
 Maximum number of 25W fixture per input power line: 5 pcs for 24VDC (GE), 3 pcs for 24VDC (US Class 2 PSU).

For controlling the fixtures	For addressing the fixtures
80m / 262'	80m / 262'
30m / 98'	12m / 39'
200m / 656'	200m / 656'
40pcs	40pcs

Maximum distance from Control/Addressing source to the first fixture
 Maximum distance between fixture to fixture
 Maximum distance from Control source to last fixture on a single DMX512 link
 Maximum number of fixture on a single DMX512 link
 Maximum number of fixtures is based on minimal interconnection lengths fixture to fixture.
 Actual number of fixtures is dependent on cable interconnection lengths. The number of fixtures will reduce if longer cable lengths are used. Please consult regional sales office to confirm maximums.

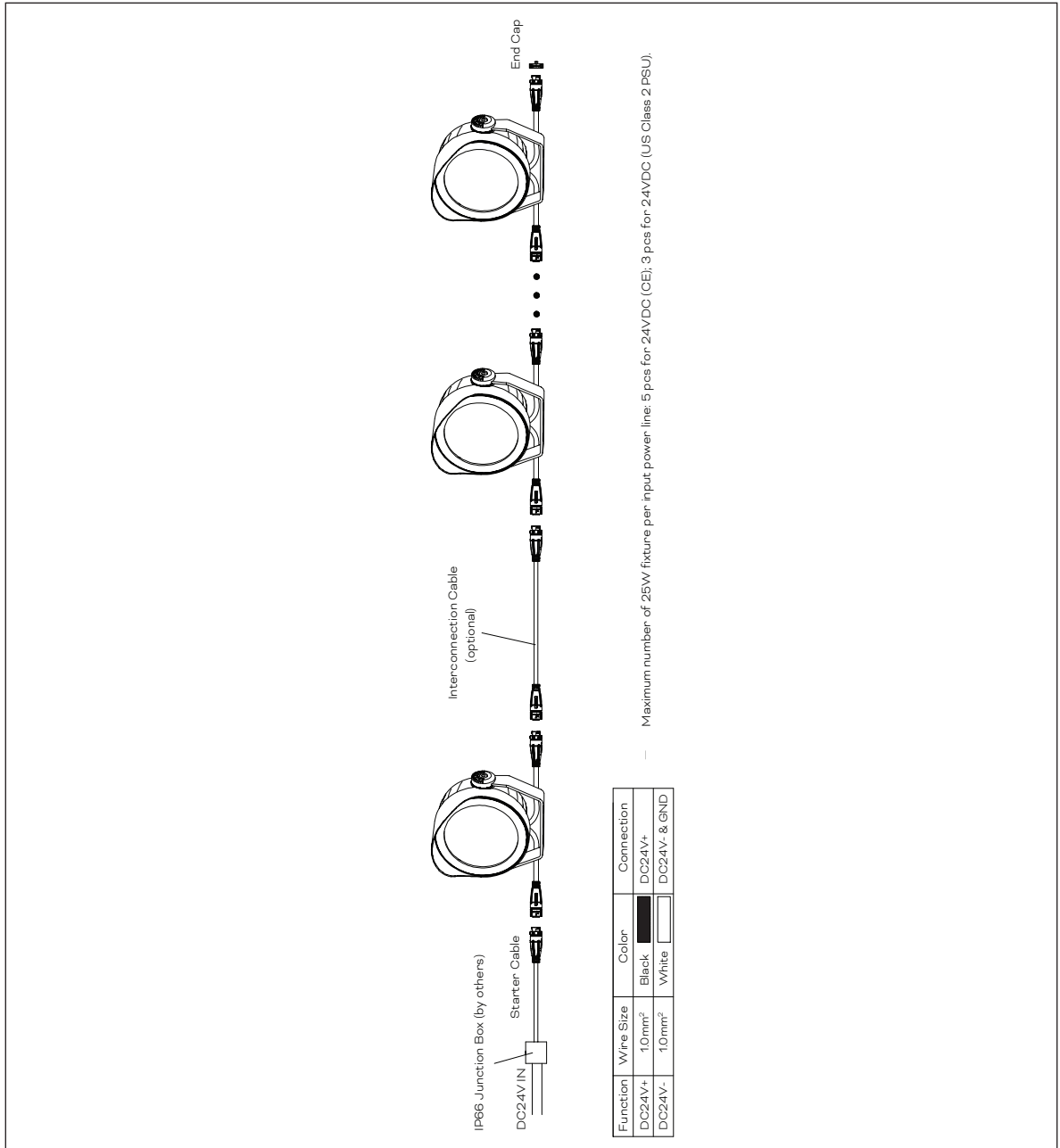
Function	Size	Color	Connection
DC24V-	1.0mm ²	White	DC24V- & GND
DC24V+	1.0mm ²	Black	DC24V+
DMX+	0.5mm ²	Brown	DMX+
DMX-	0.5mm ²	Blue	DMX-
Address	0.5mm ²	Green	Do not connect

FIG.10: Y-cable Wiring Diagram



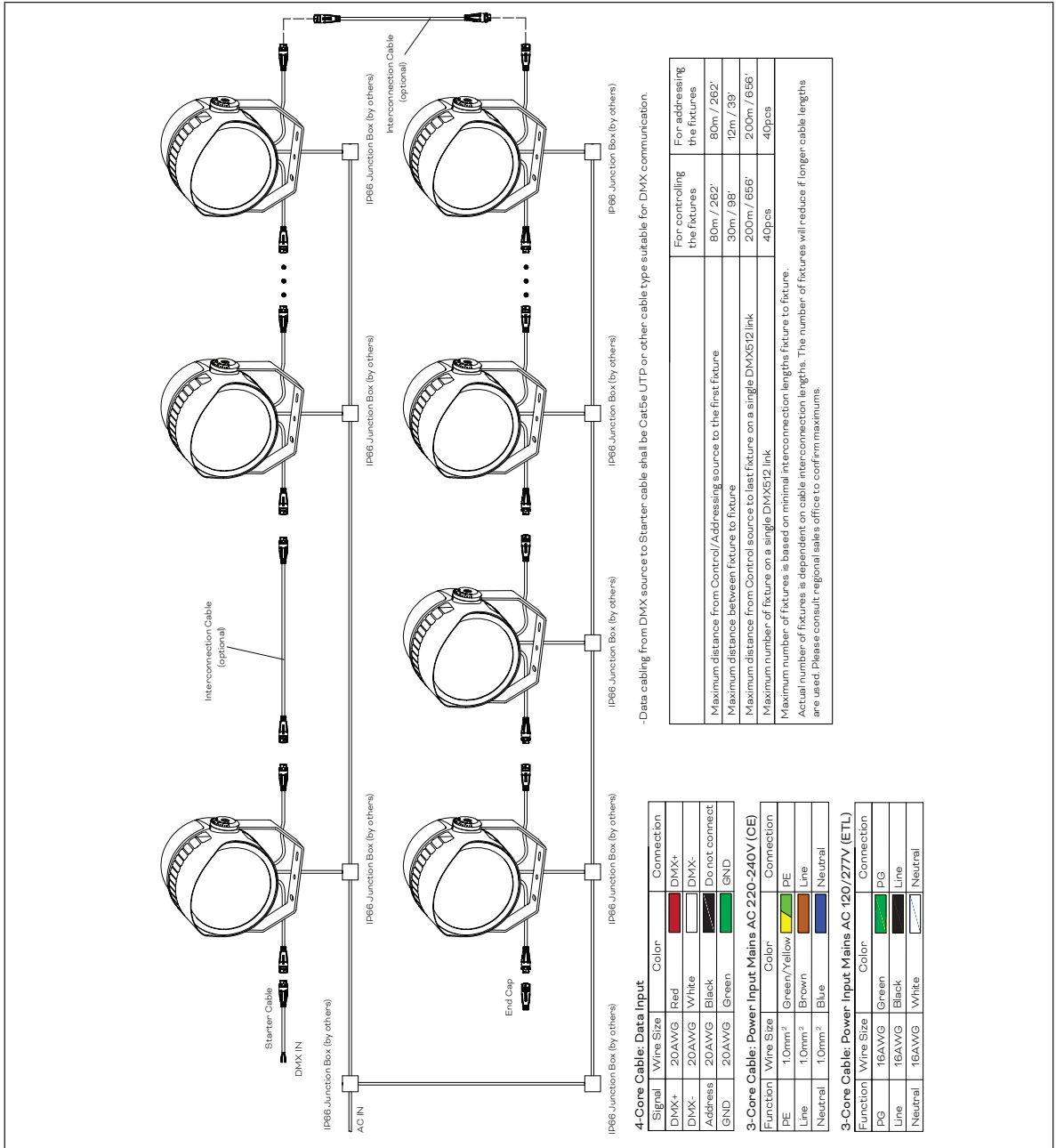
4.2 Washer Go DC On / Off Wiring Diagram

FIG.11: Wiring Diagram of Washer Go DC On / Off



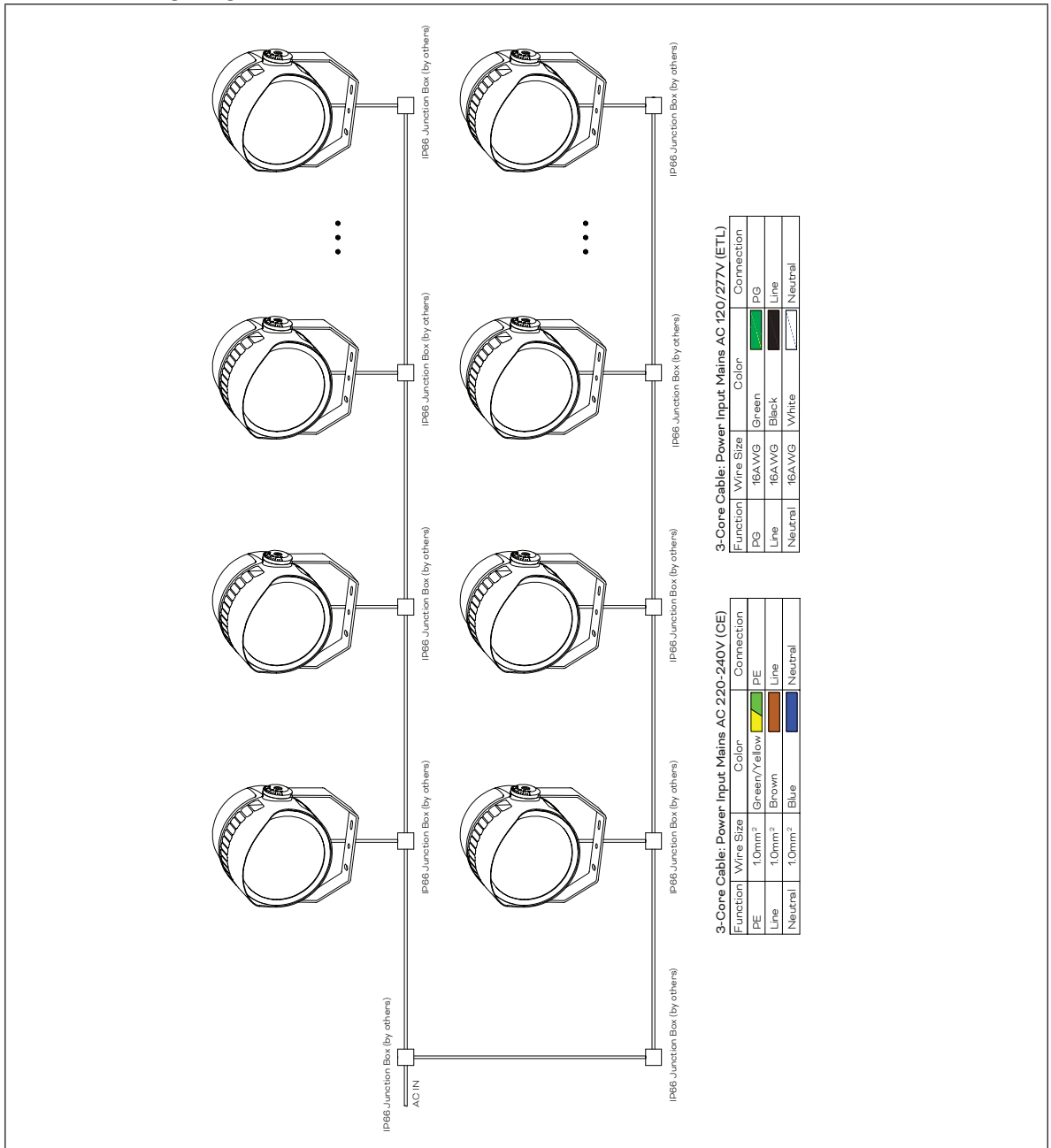
4.3 Washer Go AC DMX Wiring Diagram

FIG.12: Wiring Diagram of Washer Go AC DMX



4.4 Washer Go AC On / Off Wiring Diagram

FIG.13: Wiring Diagram of Washer Go AC On / Off



5. Care and Maintenance

Traxon products are of superior design and quality and should be treated with care. The recommendations below will help fulfill any warranty obligations and gain good use and longevity from the products.

- Do not attempt or use the product(s) until you read and understand the installation instructions. Failure to adhere to these instructions could result in serious injury or property damage.
- Do not use product(s) if cables are damaged.
- Do not connect cables and connectors when wet or in wet area. Moisture on bare connectors can cause electric shock and damage to product(s).
- Do not use product(s) in extreme heat environment. Ensure there is sufficient airflow and use cool air circulation if required.
- Do not drop, knock, or shake product(s). Rough handling can damage the electronics and void the warranty.
- Do not use harsh chemicals, cleaning solvents, or strong detergents to clean products. Wipe with a damp cloth on housings and a dry cloth on electronics to remove dirt or dust.
- Do not attempt to service or repair the product(s) unless done by an authorized service personnel. Contact your local Traxon office or distributor for details.
- If the product is not working as specified, please contact your nearest authorized service center or Traxon Technologies office for assistance.
- The light source of this luminaire is not replaceable; when the light source reaches its end of life the whole luminaire shall be replaced.

6. Technical Specification

For detailed product specifications, please refer to the product data sheet or www.traxon-ecue.com.

As with all electronic devices, LED output degrades over time - a term called lumen depreciation. This also explains why it is nearly impossible to expect photometric performances of two LED products with different service life spans to be the same. The rate of LED degradation is a complex function of many factors such as operating efficiency, duration of continuous operation, and operating conditions (e.g. ambient temperature).

Because LEDs are semiconductor devices, their performances are subject to inherent variability commonly found in semiconductor industry. To improve consistency in performance across the same product, LED manufacturers “sort” LEDs into bins according to different preset parameters, such as forward driving voltage, illumination, etc. Whereas binning is a sorting function, it is not a correction process. Inherent variability in the manufacturing process always results in different binning distributions according to different production lots. Traxon uses automatically binned LEDs on its products, thereby minimizing output variations within the model range.

7. Troubleshooting



CAUTION: Ensure power supply is OFF when disconnecting / connecting cables.

Problem	Cause	Possible Solutions
Product does NOT light up after installation	Incorrect power connection	<ul style="list-style-type: none">— Check Mains Power— Check power supply leads and wire connections— Ensure output wires are connected with proper polarity— Check if LED Engine's secondary output is working as specified.
Shadowing	Light source covered	<ul style="list-style-type: none">— Check for cables, wires or unwanted debris covering LED light source
Modules are dim	Excess products connected	<ul style="list-style-type: none">— Ensure the power supplies are not overloaded due to an excess of products connected
Flickering	Incorrect power input/Excess products connected	<ul style="list-style-type: none">— Ensure the input voltage is correct— Ensure the power supplies are not overloaded due to an excess of products connected

If problems persist or the product is not working as specified, please contact your Traxon Technologies office for assistance.

8. Warranty Statement

Traxon Technologies warrants its Products against material or workmanship defects for a period of five (5) years from date of invoicing, provided that the purchased items are used under the conditions stated in this user manual.

Please refer www.traxon-ecue.com for all warranty terms and conditions.



TRAXON

TRAXON | e:cue