



TRAXON Pro*

Washer Pro Nano DC RGBW



Project: _____

Type: _____



IP66



COAST



DMX 512



ANSI 3G



IK08

Technologies

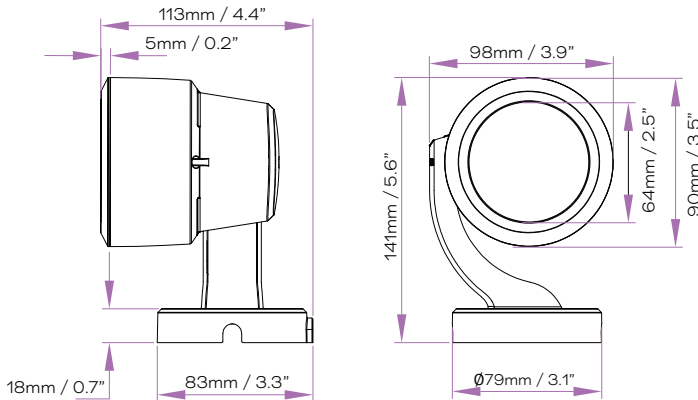
- RDM enabled



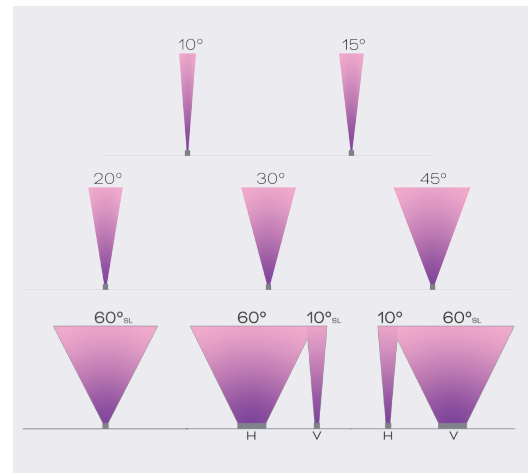
Color Options



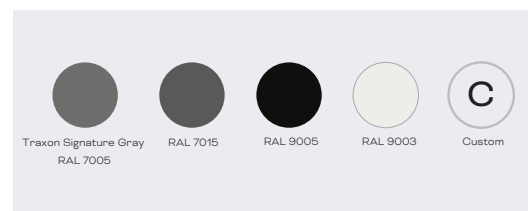
Dimensions



Beam Angles



Finish



Product Specifications

Model	Washer Pro Nano DC RGBW
Light Source	4-in-1 LED x 1
Color Range	RGBW (W=6500K)
LED Quantity	RGBW 4-in-1 LED 1pcs
Luminous Flux	553 lm (full on 10°)
Candela	11826 cd (full on 10°)
Efficacy	56 lm/W (full on 10°)
CRI	≥80
Beam Angles ¹	10°, 15°, 20°, 30°, 45° native 60°, 60° x 10° (or 10° x 60°) achieved with spread lens
Cover Lens	Tempered Glass
Housing	Die Cast Aluminum
Housing Finish Options ²	Standard color: Traxon Signature Gray (RAL7005) Optional color: Gray (RAL7015), Black (RAL9005), White (RAL9003), Custom
Adjustment Options	-5° to + 95°
Mounting	Mounting via Yoke arm. Optional mounting accessories are available
Dimensions (W x D x H)	98mm / 3.9" x 113mm / 4.4" x 141mm / 5.6"
Weight	0.72kg / 1.6lbs
EPA	Front: 0.15 sq.ft Side: 0.14 sq.ft
Regulatory Listing & Safety Approval	CE, UKCA, cETLus, FCC, ANSI C136.31-3G
Operating Temperature	-30°C to +55°C (-22°F to +131°F)
Minimum Starting Temperature	-20°C (-4°F)
Storage Temperature	-40°C to +80°C (-40°F to +176°F)
Environment	Outdoor, IP66, IK08, Coastal Environment (ASTM B117-16)
Humidity	85%, non-condensing

Electrical Specifications

Input Voltage	24V DC
Power Consumption ³	10 W
Lumen Maintenance	L70 81000hrs @ 25°C

System Specifications

Power	CE market: LED Engine 24V ETL market: LED Engine 24V (Class 2)
Control	DMX 512, RDM Enabled Dynamood Personalities: White balance mode (Default), Equal current mode, 16-bit, RGB, Boost one and Dynamic boost
Power Supply	Integrated
Maximum number of daisy chain fixture per input power line	9PCS@24V DC (ETL) with Class 2 PSU 19PCS@24V DC (CE)

1. Spread lens assembled on 10° fixture.
2. Custom RAL Housing available by request. MOQ and additional costs may apply. Consult with your regional Traxon Office for more information.
3. The power can be set in the factory to achieve a fixed maximum power output to match project specifications and environmental targets (Washer Pro Nano: 10W-12W).

LED CHARACTERISTICS Because LEDs are semiconductor devices, their performances are subject to inherent variability commonly found in semiconductor industry. To improve consistency in performance across the same product, LED manufacturers "sort" LEDs into bins according to different preset parameters, such as forward driving voltage, illumination, etc. Whereas binning is a sorting function, it is not a correction process. Inherent variability in the manufacturing process results always in different binning distributions according to different production lots. Traxon uses automatically binned LEDs on its products, thereby minimizing output variations within the model range.

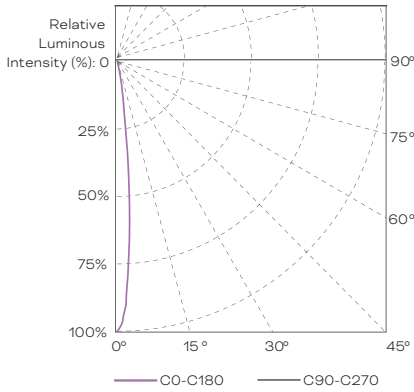
As with all electronic devices, LED output degrades over time – a term called lumen depreciation. This also explains why it is nearly impossible to expect photometric performances of two LED products with different service life spans to be the same. The rate of LED degrade is a complicated function of many factors such as operating efficiency, duration of continuous operation, and more significantly, environmental conditions (ambient temperature for example). If allowed working under optimal operating temperature range and with good ventilation, LED devices enjoy long service lives over conventional light sources. When using/installing LED devices, care should be taken to ensure that the devices will operate within the operating conditions specified in respective product literature.

This product contains a light source of energy efficiency class G to Regulation (EU) No 2019/2015.
Lumen measurement complies with LM-79-08 standard.
Lumen maintenance is calculated based on LM-80 compliant measurement.

Source Specifications

Source	RGBW 4-in-1 LED × 1
Optics	10°

Candela Distribution



Light Output

Color	Luminous Flux (lm)	Center Intensity (cd)	Efficacy (lm/W)
RGBW (full-on)	553	11826	56
RGB	313	6687	48
Red	97	2069	35
Green	225	4814	48
Blue	7	151	4
White	281	6001	64

Luminaire setting: White-balance mode.

Illuminance at a Distance

Distance (m)	Center Beam LUX/klm	Beam Width
5m	846	0.91m / 3'
10m	212	1.82m / 6'
15m	94	2.73m / 9'
20m	53	3.64m / 11.9'
25m	34	4.55m / 14.9'
30m	24	5.46m / 17.9'

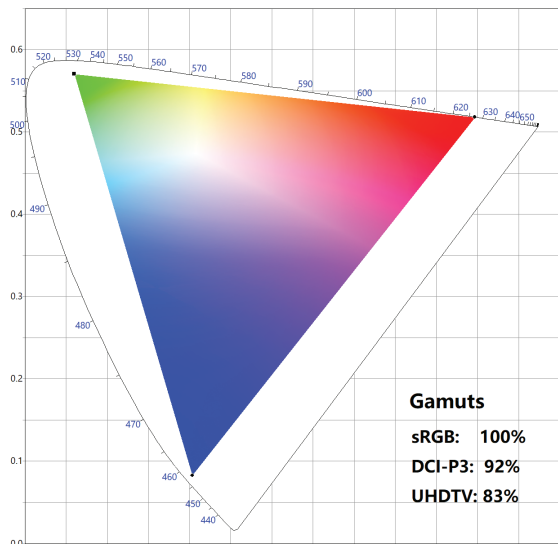
For fo divide by 10.7

Horiz.Spread: 10.4°

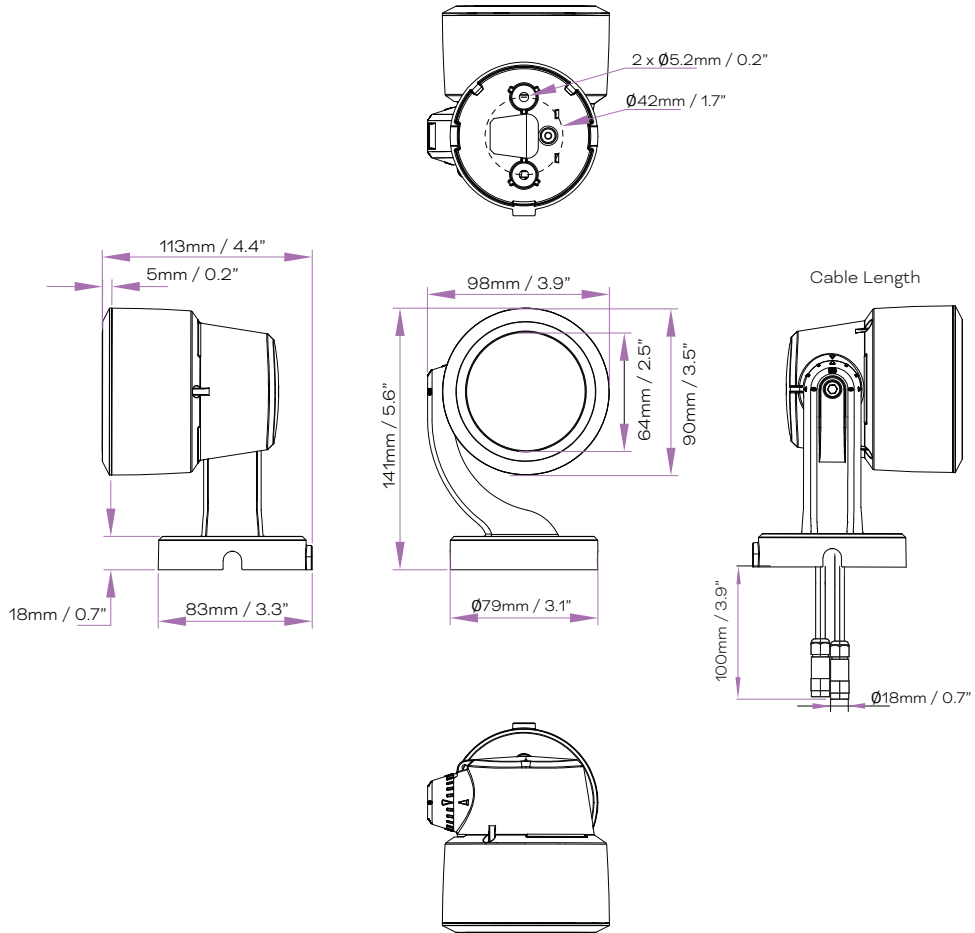
IES and LDT files are available for download from the Traxon website.

Color	Distance	Illuminance	
		LUX	FC
RGBW (full-on)	5m / 16.4'	468	44
	10m / 32.8'	117	11
	15m / 49.2'	52	5
	20m / 65.6'	29	3
	25m / 82'	19	2
RGB	30m / 98.4'	13	1
	5m / 16.4'	265	25
	10m / 32.8'	66	6
	15m / 49.2'	29	3
	20m / 65.6'	17	2
Red	25m / 82'	11	1
	30m / 98.4'	8	0.7
	5m / 16.4'	82	8
	10m / 32.8'	21	2
	15m / 49.2'	9	1
Green	20m / 65.6'	5	0.5
	25m / 82'	3	0.3
	30m / 98.4'	2	0.2
	5m / 16.4'	190	18
	10m / 32.8'	48	4
Blue	15m / 49.2'	21	2
	20m / 65.6'	12	1
	25m / 82'	8	0.7
	30m / 98.4'	5	0.5
	White	5m / 16.4'	6
10m / 32.8'		1	0.1
15m / 49.2'		0.7	0.07
20m / 65.6'		0.4	0.04
25m / 82'		0.24	0.02
White	30m / 98.4'	0.17	0.02
	5m / 16.4'	238	22
	10m / 32.8'	60	6
	15m / 49.2'	26	2
	20m / 65.6'	15	1
White	25m / 82'	10	0.9
	30m / 98.4'	7	0.7

RGBW Gamut and Range



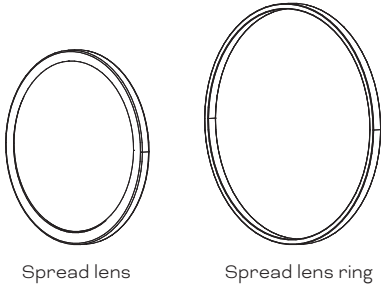
Fixture Dimensions



Optical Accessories

Spread Lens Kit

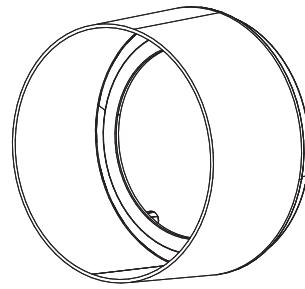
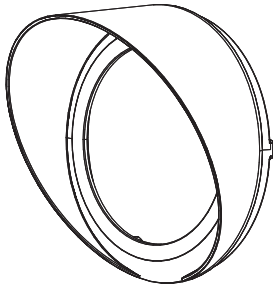
Washer Pro Spread Lens Kit 60° Nano (WP.SM.103000)
Washer Pro Spread Lens Kit 60x10° Nano (WP.SM.104000)



Glare Shield

Washer Pro Glare Shield Angled Kit Nano (WP.AG.100000)

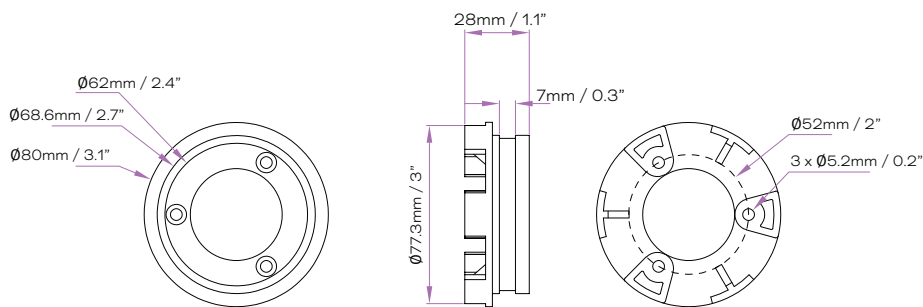
Washer Pro Glare Shield Full Kit Nano (WP.FG.100000)



Mounting Accessories

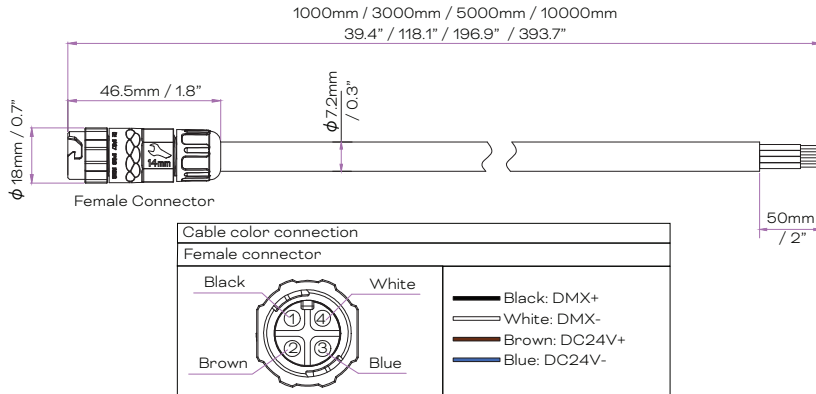
Rotatable Mount Plate

Washer Pro Rotatable Mount Plate Nano (WP.RP.100000)

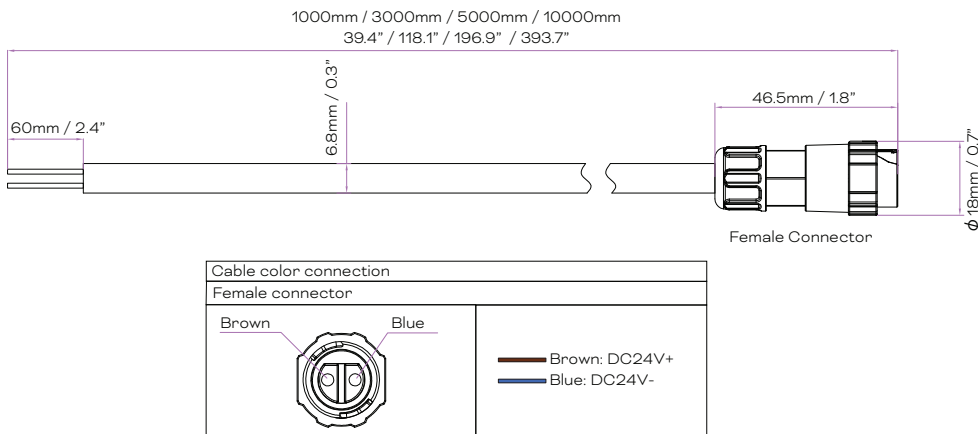


Connection Accessories

Starter Cable CC DC (CE & ETL) (CA.SC.CC101000 / CA.SC.CC103000 / CA.SC.CC105000 / CA.SC.CC110000)

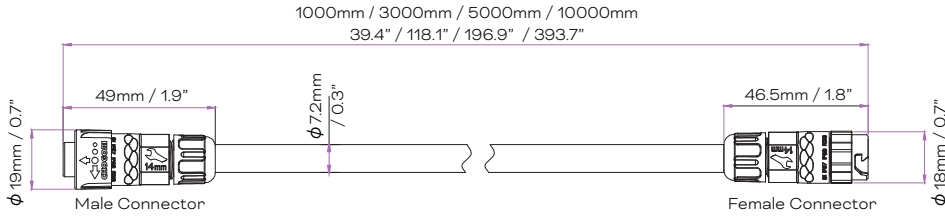


Starter Cable CC DC (CE & ETL) (CA.SC.CC401000 / CA.SC.CC403000 / CA.SC.CC405000 / CA.SC.CC410000)



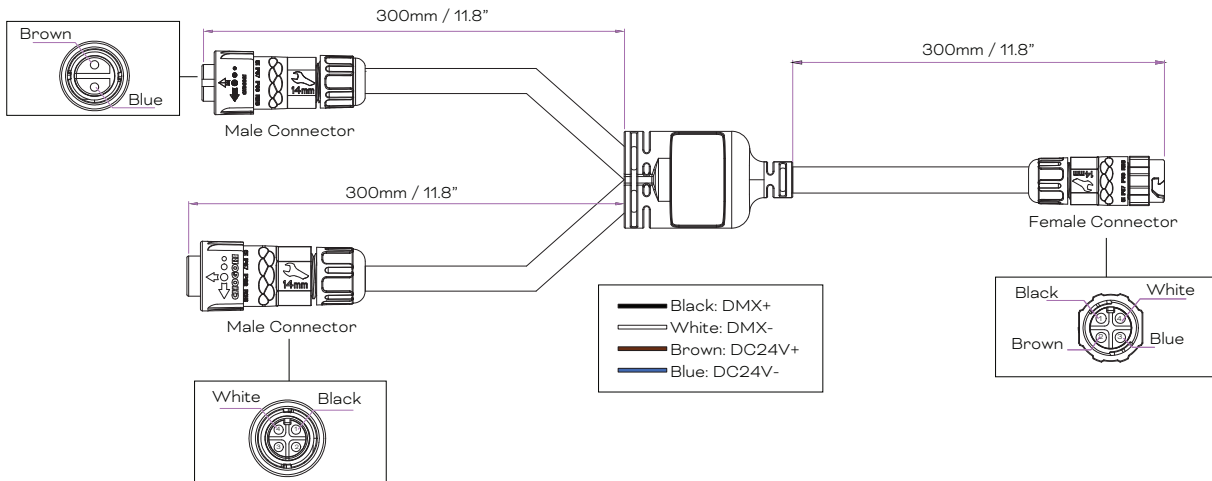
Connection Accessories

Interconnection Cable CC DC (GE & ETL) (CA.IC.CC101000 / CA.IC.CC103000 / CA.IC.CC105000 / CA.IC.CC110000)

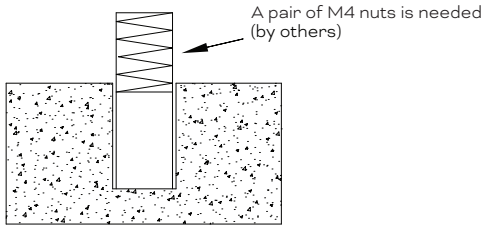


Cable color connection	
Male connector	Female connector
<ul style="list-style-type: none"> — Black: DMX+ — White: DMX- — Brown: DC24V+ — Blue: DC24V- 	

Power Injector Cable CC DC (CE & ETL) (CA.PI.CC100000)

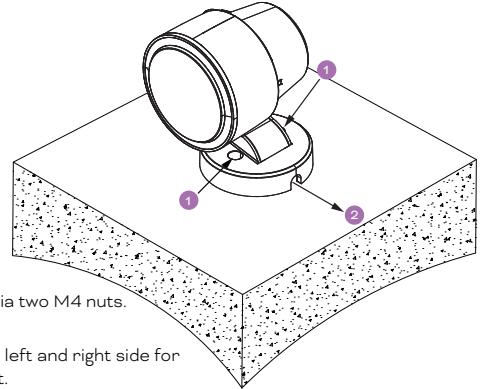


Install expansion screws on the fixed surface



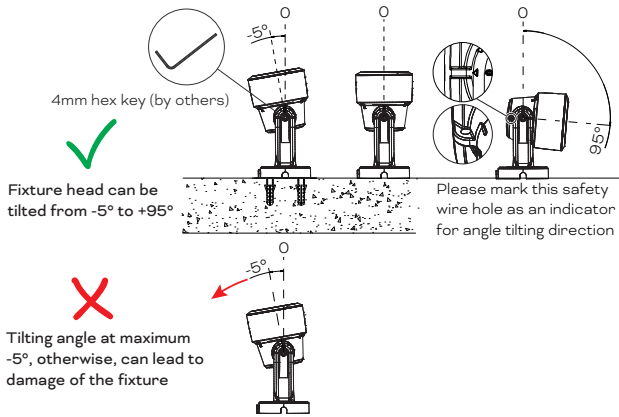
The size of the bracket mounting holes determines the size of the holes to be punched.

Fix the bracket

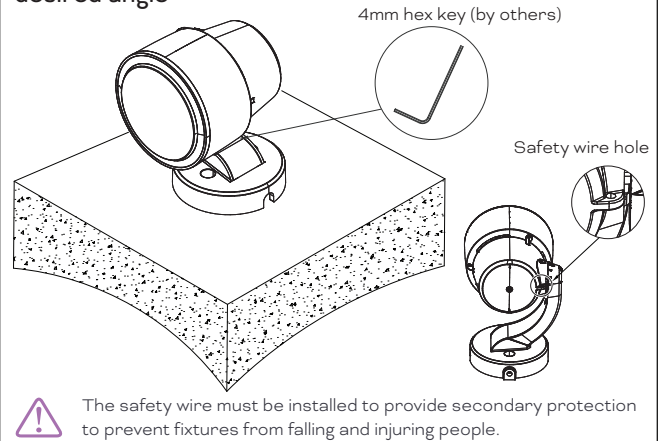


- 1 Fix bracket via two M4 nuts. (by others)
- 2 Holes on the left and right side for cable in / out.

Adjust desired angles



Tighten the bracket bolts to fix the luminaire to the desired angle



Model Number

XB	.	WP	.	1		1		1		12		9		N		0		0		N		1		0
				Housing Size		DC / AC		Wattage		LED		CCT		Optics		Control		Approbation		Color Finish				
				1: Nano		1: DC 24V		1: 10W*		12: RGBW		9: 6500K		3: 10°		0: DMX / RDM		0: CE & cETLus		0: TX Gray				
														5: 15°								1: Gray		
														6: 20°									2: Black	
														7: 30°									3: White	
														8: 45°										

Desired Model Number:

XB.		WP.		1		1		1		12		9				0		0					1		0
-----	--	-----	--	---	--	---	--	---	--	----	--	---	--	--	--	---	--	---	--	--	--	--	---	--	---

*The power can be set in the factory to achieve a fixed maximum power output to match project specifications and environmental targets (Washer Pro Nano: 10W-12W).

Fixtures

Model No.	Description	Item Code
XB.WP.111129300010	WASHER PRO NANO DC 10W RGBW65 10° (CC)	DL23100023755
XB.WP.111129500010	WASHER PRO NANO DC 10W RGBW65 15° (CC)	DL23100023855
XB.WP.111129600010	WASHER PRO NANO DC 10W RGBW65 20° (CC)	DL23100023955
XB.WP.111129700010	WASHER PRO NANO DC 10W RGBW65 30° (CC)	DL23100024055
XB.WP.111129800010	WASHER PRO NANO DC 10W RGBW65 45° (CC)	DL23100102155
XB.WP.111129300110	WASHER PRO NANO DC 10W RGBW65 10° Gray (CC)	DL23100113055
XB.WP.111129500110	WASHER PRO NANO DC 10W RGBW65 15° Gray (CC)	DL23100113155
XB.WP.111129600110	WASHER PRO NANO DC 10W RGBW65 20° Gray (CC)	DL23100113255
XB.WP.111129700110	WASHER PRO NANO DC 10W RGBW65 30° Gray (CC)	DL23100113355
XB.WP.111129800110	WASHER PRO NANO DC 10W RGBW65 45° Gray (CC)	DL23100113455
XB.WP.111129300210	WASHER PRO NANO DC 10W RGBW65 10° Black (CC)	DL23100117655
XB.WP.111129500210	WASHER PRO NANO DC 10W RGBW65 15° Black (CC)	DL23100117755
XB.WP.111129600210	WASHER PRO NANO DC 10W RGBW65 20° Black (CC)	DL23100117855
XB.WP.111129700210	WASHER PRO NANO DC 10W RGBW65 30° Black (CC)	DL23100117955
XB.WP.111129800210	WASHER PRO NANO DC 10W RGBW65 45° Black (CC)	DL23100118055
XB.WP.111129300310	WASHER PRO NANO DC 10W RGBW65 10° White (CC)	DL23100122255
XB.WP.111129500310	WASHER PRO NANO DC 10W RGBW65 15° White (CC)	DL23100122355
XB.WP.111129600310	WASHER PRO NANO DC 10W RGBW65 20° White (CC)	DL23100122455
XB.WP.111129700310	WASHER PRO NANO DC 10W RGBW65 30° White (CC)	DL23100122555
XB.WP.111129800310	WASHER PRO NANO DC 10W RGBW65 45° White (CC)	DL23100122655

Cable/Connector for DC fixture

Model No.	Description	Item Code
CA.SC.CC101000	STARTER CABLE CC DC 4-PIN 1M	DA23100027555
CA.SC.CC103000	STARTER CABLE CC DC 4-PIN 3M	DA23100027655
CA.SC.CC105000	STARTER CABLE CC DC 4-PIN 5M	DA23100027755
CA.SC.CC110000	STARTER CABLE CC DC 4-PIN 10M	DA23100027855
CA.SC.CC401000	STARTER CABLE CC DC 2-PIN 1M	DA23100166455
CA.SC.CC403000	STARTER CABLE CC DC 2-PIN 3M	DA23100166555
CA.SC.CC405000	STARTER CABLE CC DC 2-PIN 5M	DA23100166655
CA.SC.CC410000	STARTER CABLE CC DC 2-PIN 10M	DA23100166755

Cable/Connector for DC fixture

Model No.	Description	Item Code
CA.IC.CC101000	INTERCONNECTION CABLE CC DC 4-PIN 1M	DA23100027955
CA.IC.CC103000	INTERCONNECTION CABLE CC DC 4-PIN 3M	DA23100028055
CA.IC.CC105000	INTERCONNECTION CABLE CC DC 4-PIN 5M	DA23100028155
CA.IC.CC110000	INTERCONNECTION CABLE CC DC 4-PIN 10M	DA23100028255
CA.PI.CC100000	POWER INJECTOR CABLE CC DC 4-PIN	DA23100150155
CA.EC.CC100000	END CAP CC DC 4/5-PIN W/TERM	DA23100028355

Spread Lens

Model No.	Description	Item Code
WP.SM.103000	W PRO SL KIT 60° NANO	DA23100028455
WP.SM.104000	W PRO SL KIT 60x10° NANO	DA23100029455

Glare Shield

Model No.	Description	Item Code
WP.AG.100000	W PRO GS ANGLED NANO COVER	DA23100030455
WP.FG.100000	W PRO GS FULL NANO COVER	DA23100031255
WP.AG.100100	W PRO GS ANGLED NANO COVER Gray	DA23100150255
WP.FG.100100	W PRO GS FULL NANO COVER Gray	DA23100150755
WP.AG.100200	W PRO GS ANGLED NANO COVER Black	DA23100151255
WP.FG.100200	W PRO GS FULL NANO COVER Black	DA23100151755
WP.AG.100300	W PRO GS ANGLED NANO COVER White	DA23100152255
WP.FG.100300	W PRO GS FULL NANO COVER White	DA23100152755

Rotatable Mount Plate

Model No.	Description	Item Code
WP.RP.100000	W PRO RP NANO	DA23100032555
WP.RP.100100	W PRO RP NANO Gray	DA23100154155
WP.RP.100200	W PRO RP NANO Black	DA23100154555
WP.RP.100300	W PRO RP NANO White	DA23100154955

Others

Model No.	Description	Item Code
On demand / Coming soon	Post Mount	On demand / Coming soon
On demand / Coming soon	Compression Post Mount	On demand / Coming soon
On demand / Coming soon	Extendable Mounting Arm	On demand / Coming soon
On demand / Coming soon	Pendant Mount	On demand / Coming soon
On demand / Coming soon	Tree Mount	On demand / Coming soon

