



TRAXON

Washer Go Mini White On / Off

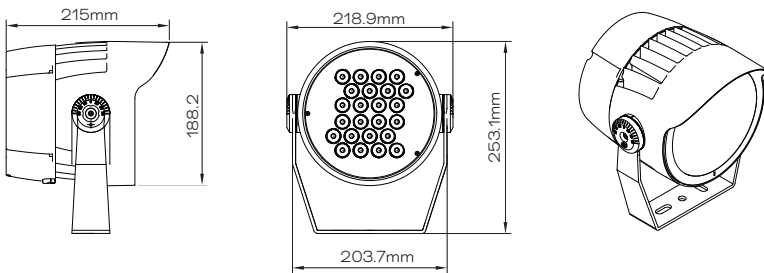


The Traxon Washer Go Mini is an AC line powered exterior luminaire used to distinguish facades, walls, and architectural landmarks with a powerful, even color wash effect. Washer Go's high-value design features efficient electrical and optical systems, making it ideal for budget-conscious projects.

Features

- On / Off control
- Easy installation and maintenance

Dimensions



TRAXON Go⁺

Project: _____

Type: _____



IP66



COAST



On / Off



ANSI 3G



IK07

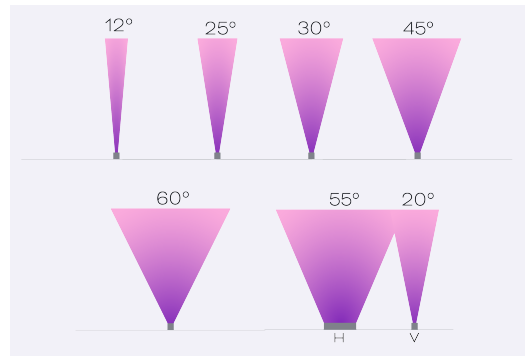
Technologies

- On / Off control

Color Options



Beam Angle



Finish



Traxon Signature Gray: RAL7005

Product Specifications

| | |
|--------------------------------------|---|
| Model | Washer Go Mini White On / Off |
| Light Source | White: 24pcs LED |
| Color Range | White: 2700K, 3000K, 4000K, 5700K, 6500K |
| LED Quantity | 24pcs LED |
| Luminous Flux | White 3000K: 4000 lm (full on 12°) White 4000K: 4500 lm (full on 12°) |
| Candela | White 3000K: 56412 cd (full on 12°) White 4000K: 63464 cd (full on 12°) |
| Efficacy | White 3000K: 80 lm/W (full on 12°) White 4000K: 90 lm/W (full on 12°) |
| CRI | ≥ 80 (White: 2700K/3000K/4000K) ≥ 70 (White: 5700K/6500K) |
| SDCM | ≤5 step |
| Beam Angles | 12°, 25°, 30°, 45°, 60°, 55x20° |
| Cover Lens | Tempered Glass |
| Housing | Die Cast Aluminum |
| Housing Finish Options | Traxon Signature Gray (RAL7005) |
| Adjustment Options | -90° to +90° |
| Mounting | Yoke Mount |
| Dimensions (W x D x H) | 219mm x 215mm x 253mm |
| Weight | 4.2kg |
| EPA | Front: 31852mm ² / 0.34ft ² Side: 39108mm ² / 0.42ft ² |
| Regulatory Listing & Safety Approval | CE, UKCA, ANSI C136.31-3G |
| Operating Temperature | -30°C to +50°C (-22°F to +122°F) |
| Minimum Starting Temperature | -20°C (-4°F) |
| Storage Temperature | -40°C to +80°C (-40°F to +176°F) |
| Environment | Outdoor, IP66, IK07, Coastal Environment (ASTM B117-16) |
| Humidity | 85%, non-condensing |

Electrical Specifications

| | |
|-------------------|---------------------|
| Input Voltage | 220-240V AC |
| Power Consumption | 50W |
| Lumen Maintenance | L70 50000hrs @ 25°C |

System Specifications

| | |
|---------|----------|
| Power | AC Line |
| Control | On / Off |

LED CHARACTERISTICS Because LEDs are semiconductor devices, their performances are subject to inherent variability commonly found in semiconductor industry. To improve consistency in performance across the same product, LED manufacturers "sort" LEDs into bins according to different preset parameters, such as forward driving voltage, illumination, etc. Whereas binning is a sorting function, it is not a correction process. Inherent variability in the manufacturing process results always in different binning distributions according to different production lots. Traxon uses automatically binned LEDs on its products, thereby minimizing output variations within the model range.

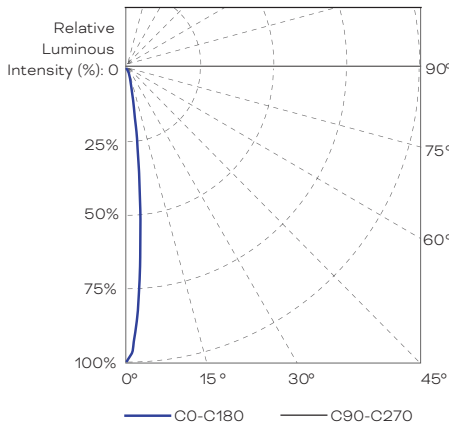
As with all electronic devices, LED output degrades over time - a term called lumen depreciation. This also explains why it is nearly impossible to expect photometric performances of two LED products with different service life spans to be the same. The rate of LED degrade is a complex function of many factors such as operating efficiency, duration of continuous operation, and more significantly, environmental conditions (ambient temperature for example). If allowed working under optimal operating temperature range and with good ventilation, LED devices enjoy long service lives over conventional light sources. When using/installing LED devices, care should be taken to ensure that the devices will operate within the operating conditions specified in respective product literature.

Lumen measurement complies with LM-79-08 standard.
Lumen maintenance is calculated based on LM-80 compliant measurement.

Source Specifications

| | |
|--------|------------------|
| Source | White: 24pcs LED |
| Optics | 12° |

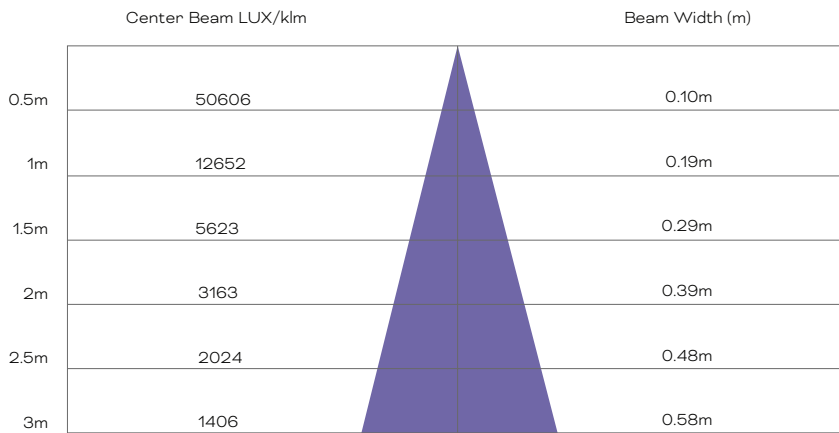
Candela Distribution



Light Output

| Color | Luminous Flux (lm) | Center Intensity (cd) | Efficacy (lm/W) |
|-------|--------------------|-----------------------|-----------------|
| 2700K | 3750 | 52886 | 75 |
| 3000K | 4000 | 56412 | 80 |
| 4000K | 4500 | 63464 | 90 |
| 5700K | 4500 | 63464 | 90 |

Illuminance at a Distance



● Horiz.Spread: 11.0°

For fc divide by 10.7

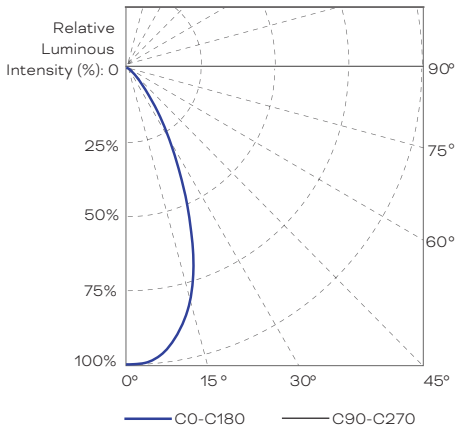
For feet multiply by 3.28

IES and LDT files are available for download from the Traxon website.

Source Specifications

| | |
|--------|------------------|
| Source | White: 24pcs LED |
| Optics | 60° |

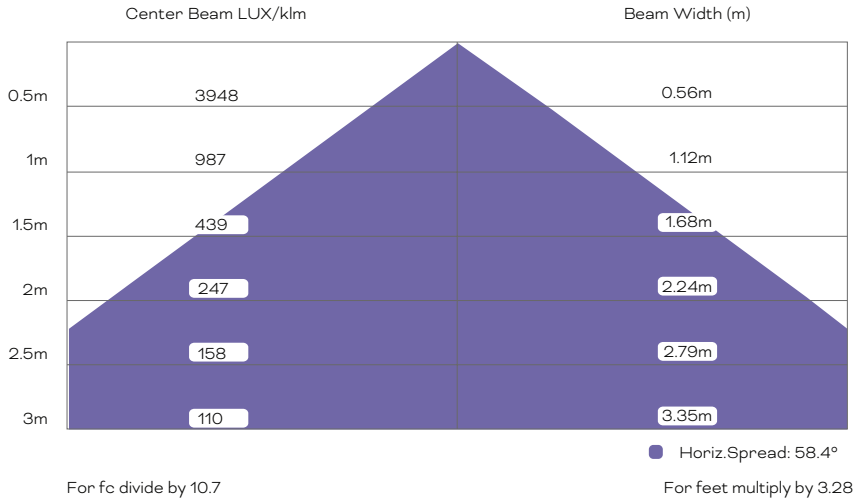
Candela Distribution



Light Output

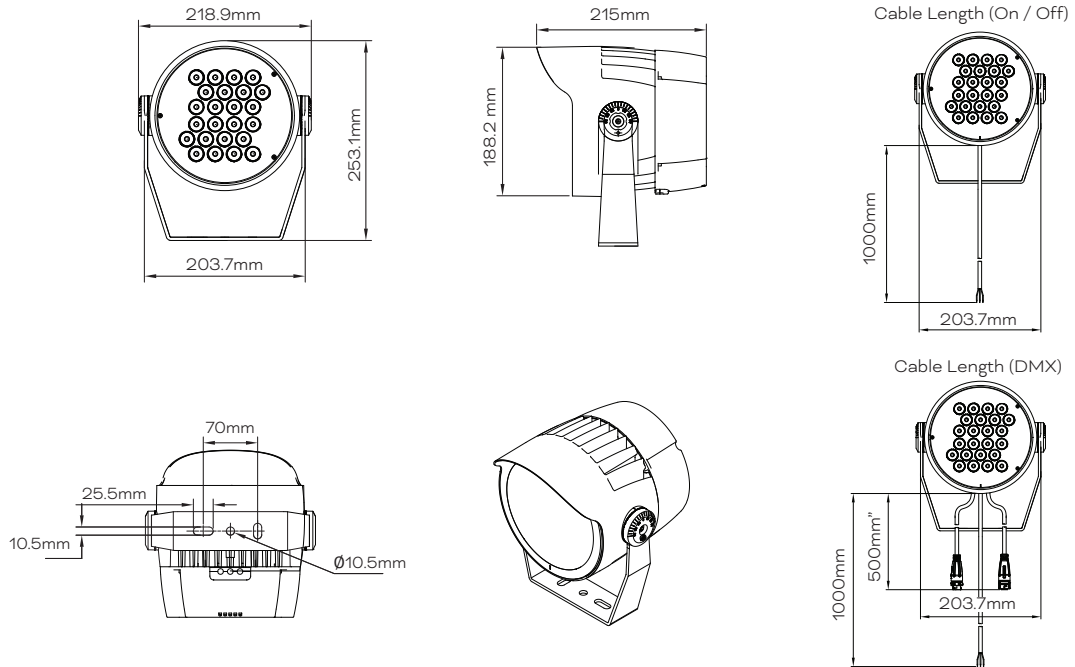
| Color | Luminous Flux (lm) | Center Intensity (cd) | Efficacy (lm/W) |
|-------|--------------------|-----------------------|-----------------|
| 2700K | 3188 | 3253 | 64 |
| 3000K | 3400 | 3470 | 68 |
| 4000K | 3825 | 3904 | 77 |
| 5700K | 3825 | 3904 | 77 |

Illuminance at a Distance



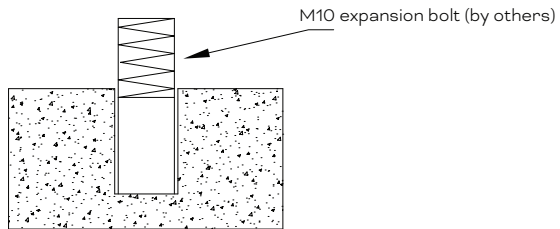
IES and LDT files are available for download from the Traxon website.

Fixture Dimensions

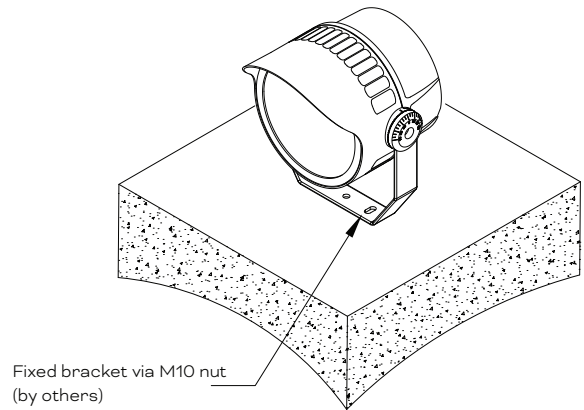


Bracket Mounting

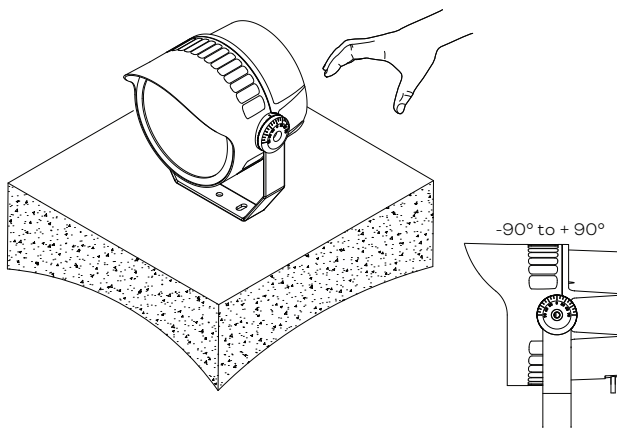
Install expansion screws on the fixed surface



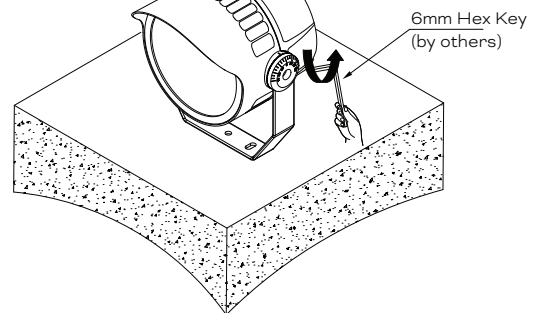
Fix the bracket



Adjust desired angles



Tighten the bracket bolts to fix the luminaire to the desired angle



 A safety wire must be installed to provide secondary protection to prevent fixtures from falling and injuring people (by others).

