



TRAXON

Washer Go Midi White

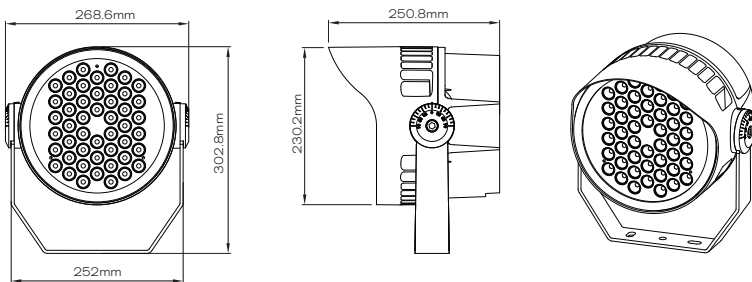


The Traxon Washer Go Midi is an AC line powered exterior luminaire used to distinguish facades, walls, and architectural landmarks with a powerful, even color wash effect. Washer Go's high-value design features efficient electrical and optical systems, making it ideal for budget-conscious projects.

Features

- DMX control
- Easy installation and maintenance

Dimensions



TRAXON Go⁺

Project: _____

Type: _____



IP66



COAST



DMX 512



ANSI 3G



IK07

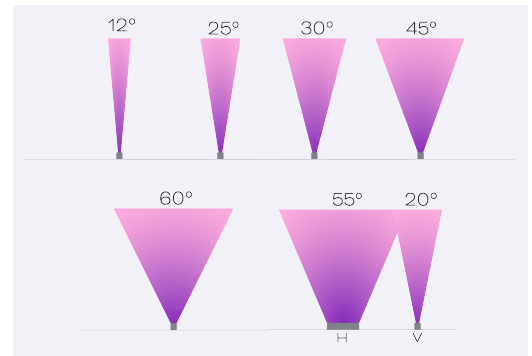
Technologies

- Manual-Addressing with TX Addresser

Color Options



Beam Angle



Finish



Traxon Signature Gray: RAL7005

Product Specifications

Model	Washer Go Midi White
Light Source	White: 48pcs LED
Color Range	White: 2700K, 3000K, 4000K, 5700K, 6500K
LED Quantity	48pcs LED
Luminous Flux	White 3000K: 7500 lm (full on 12°) White 4000K: 8500 lm (full on 12°)
Candela	White 3000K: 105773 cd (full on 12°) White 4000K: 119876 cd (full on 12°)
Efficacy	White 3000K: 75 lm/W (full on 12°) White 4000K: 85 lm/W (full on 12°)
CRI	≥ 80 (White: 2700K/3000K/4000K) ≥ 70 (White: 5700K/6500K)
SDCM	≤5 step
Beam Angles	12°, 25°, 30°, 45°, 60°, 55x20°
Cover Lens	Tempered Glass
Housing	Die Cast Aluminum
Housing Finish Options	Traxon Signature Gray (RAL7005)
Adjustment Options	-90° to +90°
Mounting	Yoke Mount
Dimensions (W x D x H)	269mm x 251mm x 303mm
Weight	7.2kg
EPA	Front: 47425mm ² / 0.51ft ² Side: 55785mm ² / 0.6ft ²
Regulatory Listing & Safety Approval	CE, UKCA, ANSI C136.31-3G
Operating Temperature	-30°C to +50°C (-22°F to +122°F)
Minimum Starting Temperature	-20°C (-4°F)
Storage Temperature	-40°C to +80°C (-40°F to +176°F)
Environment	Outdoor, IP66, IK07, Coastal Environment (ASTM B117-16)
Humidity	85%, non-condensing

Electrical Specifications

Input Voltage	220-240V AC
Power Consumption	100W
Lumen Maintenance	L70 50000hrs @ 25°C

System Specifications

Power	AC Line
Control	DMX 512
Addressing Options	Manual-Addressing with TX Addresser
Chipset	MR DMX05

LED CHARACTERISTICS Because LEDs are semiconductor devices, their performances are subject to inherent variability commonly found in semiconductor industry. To improve consistency in performance across the same product, LED manufacturers "sort" LEDs into bins according to different preset parameters, such as forward driving voltage, illumination, etc. Whereas binning is a sorting function, it is not a correction process. Inherent variability in the manufacturing process results always in different binning distributions according to different production lots. Traxon uses automatically binned LEDs on its products, thereby minimizing output variations within the model range.

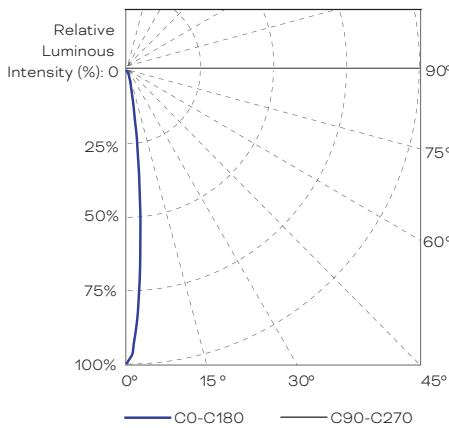
As with all electronic devices, LED output degrades over time - a term called lumen depreciation. This also explains why it is nearly impossible to expect photometric performances of two LED products with different service life spans to be the same. The rate of LED degrade is a complicate function of many factors such as operating efficiency, duration of continuous operation, and more significantly, environmental conditions (ambient temperature for example). If allowed working under optimal operating temperature range and with good ventilation, LED devices enjoy long service lives over conventional light sources. When using/installing LED devices, care should be taken to ensure that the devices will operate within the operating conditions specified in respective product literature.

Lumen measurement complies with LM-79-08 standard.
Lumen maintenance is calculated based on LM-80 compliant measurement.

Source Specifications

Source	White: 48pcs LED
Optics	12°

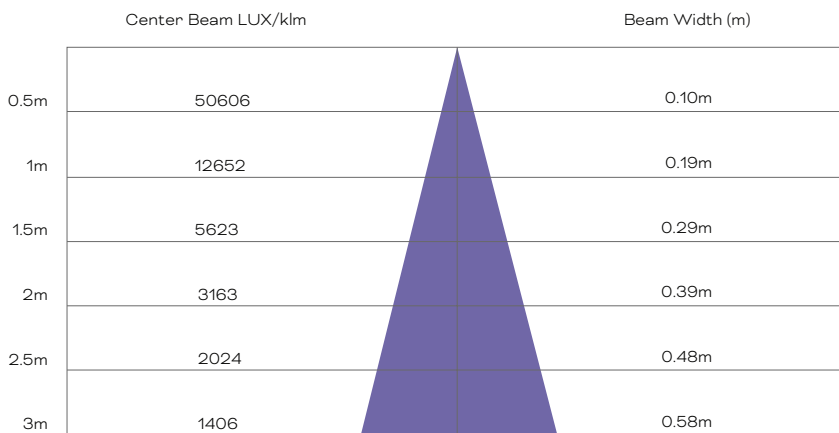
Candela Distribution



Light Output

Color	Luminous Flux (lm)	Center Intensity (cd)	Efficacy (lm/W)
2700K	7000	98721	70
3000K	7500	105773	75
4000K	8500	119876	85
5700K	8500	119876	85

Illuminance at a Distance



● Horiz. Spread: 11.0°

For fc divide by 10.7

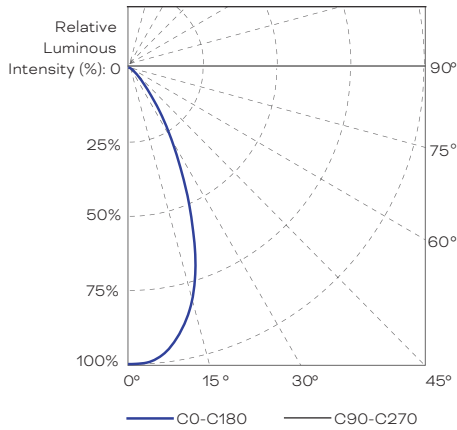
For feet multiply by 3.28

IES and LDT files are available for download from the Traxon website.

Source Specifications

Source	White: 48pcs LED
Optics	60°

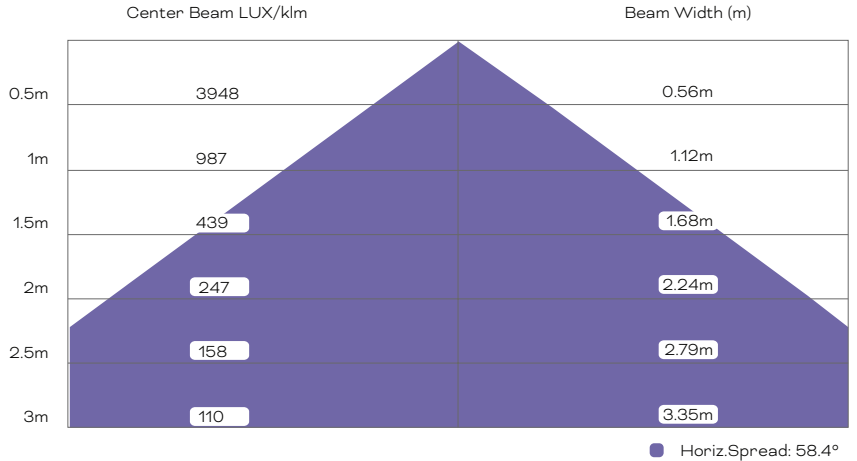
Candela Distribution



Light Output

Color	Luminous Flux (lm)	Center Intensity (cd)	Efficacy (lm/W)
2700K	5950	6073	60
3000K	6375	6507	64
4000K	7225	7375	72
5700K	7225	7375	72

Illuminance at a Distance

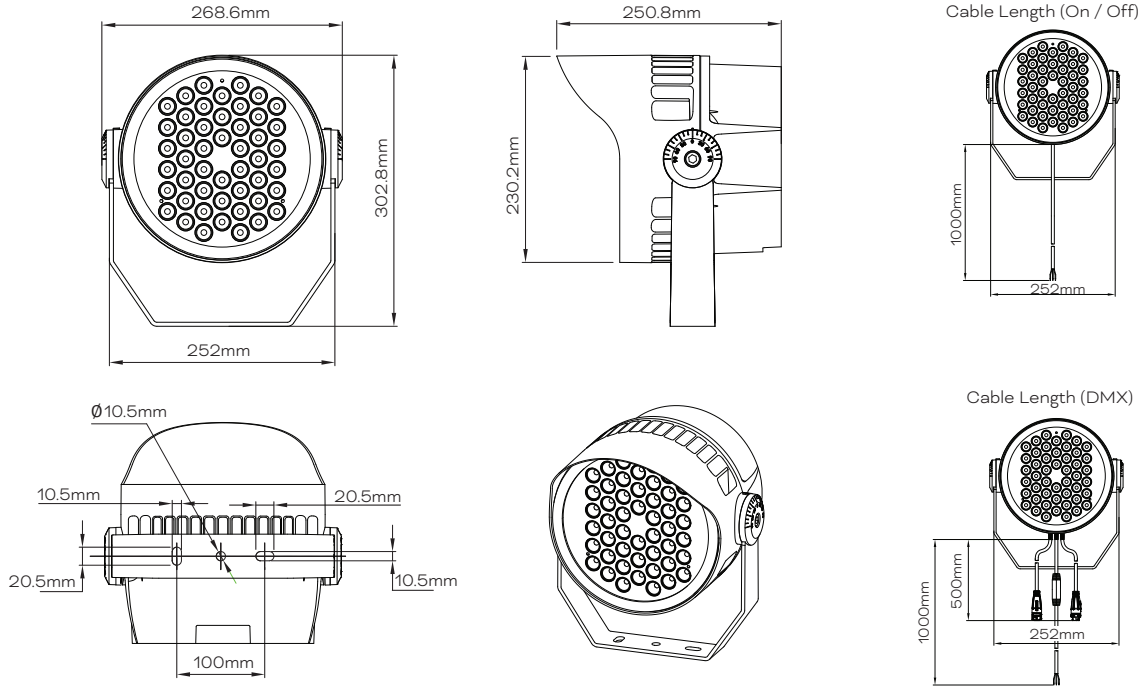


For fc divide by 10.7

For feet multiply by 3.28

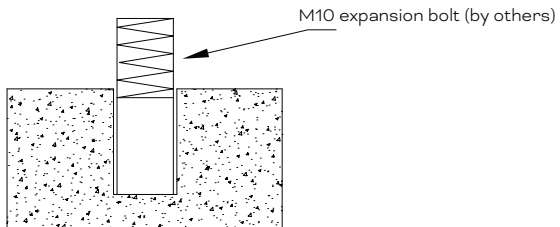
IES and LDT files are available for download from the Traxon website.

Fixture Dimensions

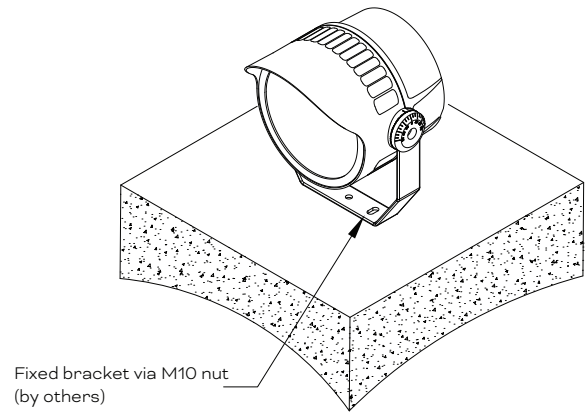


Bracket Mounting

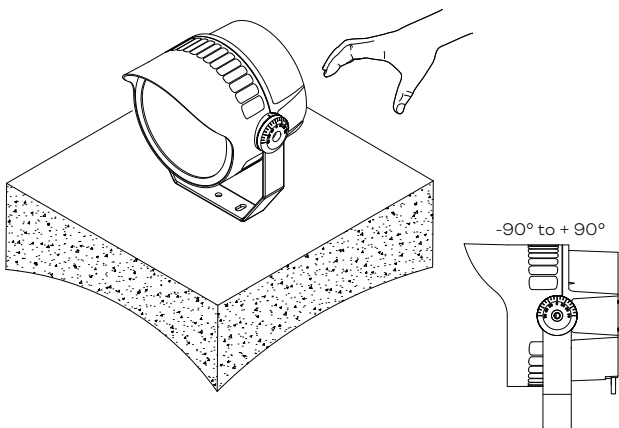
Install expansion screws on the fixed surface



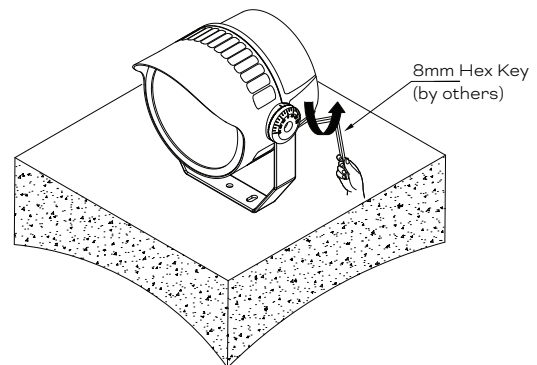
Fix the bracket



Adjust desired angles



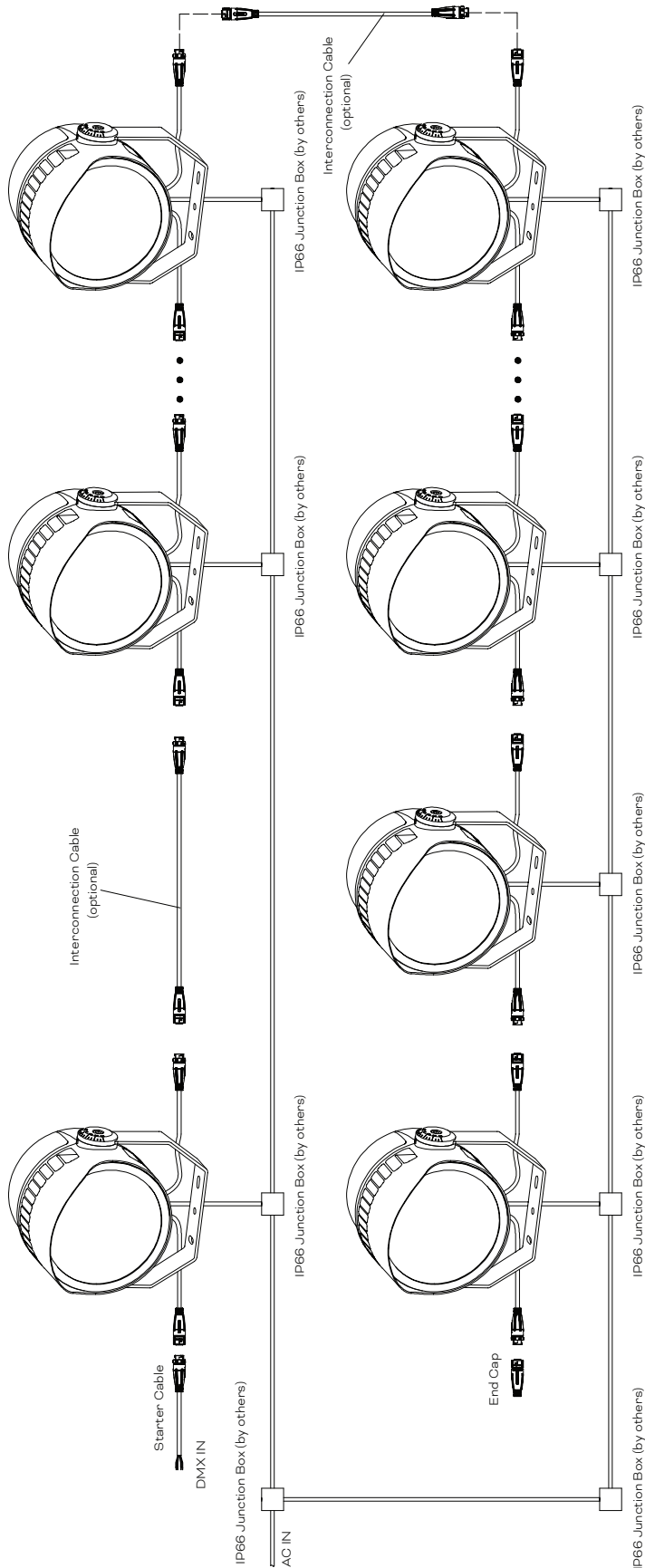
Tighten the bracket bolts to fix the luminaire to the desired angle



 A safety wire must be installed to provide secondary protection to prevent fixtures from falling and injuring people (by others).

Washer Go Midi White

System Diagram



-Data cabling from DMX source to Starter cable shall be Cat5e UTP or other cable type suitable for DMX communication.

	For controlling the fixtures	For addressing the fixtures
Maximum distance from Control/Addressing source to the first fixture	80m / 262'	80m / 262'
Maximum distance between fixture to fixture	30m / 98'	12m / 39'
Maximum distance from Control source to last fixture on a single DMX512 link	200m / 656'	200m / 656'
Maximum number of fixtures on a single DMX512 link	40pcs	40pcs

Maximum number of fixtures is based on minimal interconnection lengths fixture to fixture.
Actual number of fixtures is dependent on cable interconnection lengths. The number of fixtures will reduce if longer cable lengths are used. Please consult regional sales office to confirm maximums.

Signal	Wire Size	Color	Connection
DMX+	0.5mm ²	Red	DMX+
DMX-	0.5mm ²	White	DMX-
Address	0.5mm ²	Black	GND
GND	0.5mm ²	Green	Do not connect

Washer Go Midi White

Ordering

Model Number

XB	.	WG	.	N	.	N	.	N	.	N	.	1	.	0	.	0
				Wattage		LED		Optics		Control		Approbation		Add on		
				4: 100WAC		7: 2700K		1: 12°		1: DMX		1: CE		1: With Glare Shield		
						8: 3000K		2: 25°								
						A: 4000K		3: 30°								
						D: 5700K		4: 45°								
						E: 6000K		5: 60°								
								6: 55° x 20°								
Desired Model Number:																
XB.		WG.										1		0		0

Fixtures

Model No.	Description	Item Code
XB.WG.4711100	WASHER GO MIDI AC 100W 2700K 12° CE GS	DL23100041355
XB.WG.4811100	WASHER GO MIDI AC 100W 3000K 12° CE GS	DL23100041455
XB.WG.4A11100	WASHER GO MIDI AC 100W 4000K 12° CE GS	DL23100041555
XB.WG.4D11100	WASHER GO MIDI AC 100W 5700K 12° CE GS	DL23100041655
XB.WG.4E11100	WASHER GO MIDI AC 100W 6500K 12° CE GS	DL23100041755
XB.WG.4721100	WASHER GO MIDI AC 100W 2700K 25° CE GS	DL23100042655
XB.WG.4821100	WASHER GO MIDI AC 100W 3000K 25° CE GS	DL23100042755
XB.WG.4A21100	WASHER GO MIDI AC 100W 4000K 25° CE GS	DL23100042855
XB.WG.4D21100	WASHER GO MIDI AC 100W 5700K 25° CE GS	DL23100042955
XB.WG.4E21100	WASHER GO MIDI AC 100W 6500K 25° CE GS	DL23100043055
XB.WG.4731100	WASHER GO MIDI AC 100W 2700K 30° CE GS	DL23100043955
XB.WG.4831100	WASHER GO MIDI AC 100W 3000K 30° CE GS	DL23100044055
XB.WG.4A31100	WASHER GO MIDI AC 100W 4000K 30° CE GS	DL23100044155
XB.WG.4D31100	WASHER GO MIDI AC 100W 5700K 30° CE GS	DL23100044255
XB.WG.4E31100	WASHER GO MIDI AC 100W 6500K 30° CE GS	DL23100044355
XB.WG.4741100	WASHER GO MIDI AC 100W 2700K 45° CE GS	DL23100045255
XB.WG.4841100	WASHER GO MIDI AC 100W 3000K 45° CE GS	DL23100045355
XB.WG.4A41100	WASHER GO MIDI AC 100W 4000K 45° CE GS	DL23100045455
XB.WG.4D41100	WASHER GO MIDI AC 100W 5700K 45° CE GS	DL23100045555
XB.WG.4E41100	WASHER GO MIDI AC 100W 6500K 45° CE GS	DL23100045655
XB.WG.4751100	WASHER GO MIDI AC 100W 2700K 60° CE GS	DL23100046555
XB.WG.4851100	WASHER GO MIDI AC 100W 3000K 60° CE GS	DL23100046655
XB.WG.4A51100	WASHER GO MIDI AC 100W 4000K 60° CE GS	DL23100046755
XB.WG.4D51100	WASHER GO MIDI AC 100W 5700K 60° CE GS	DL23100046855
XB.WG.4E51100	WASHER GO MIDI AC 100W 6500K 60° CE GS	DL23100046955
XB.WG.4761100	WASHER GO MIDI AC 100W 2700K 55x20° CE GS	DL23100047855
XB.WG.4861100	WASHER GO MIDI AC 100W 3000K 55x20° CE GS	DL23100047955
XB.WG.4A61100	WASHER GO MIDI AC 100W 4000K 55x20° CE GS	DL23100048055
XB.WG.4D61100	WASHER GO MIDI AC 100W 5700K 55x20° CE GS	DL23100048155
XB.WG.4E61100	WASHER GO MIDI AC 100W 6500K 55x20° CE GS	DL23100048255

TX Connect

Model No.	Description	Item Code
N / A	STARTER CABLE JYK DATA 4-PIN 0.5M	DA23100095655
N / A	STARTER CABLE JYK DATA 4-PIN 2M	DA23100095755
N / A	INTERCONNECTION CABLE JYK DATA 4-PIN 0.5M	DA23100095855
N / A	INTERCONNECTION CABLE JYK DATA 4-PIN 2M	DA23100095955
N / A	END CAP JYK DATA 4-PIN W/TERM	DA23100096055

TX Control

Model No.	Description	Item Code
CD.SA.0000100	TX SMART ADDRESSER	AM438260055

