



# TRAXON

## Washer Go Maxi White

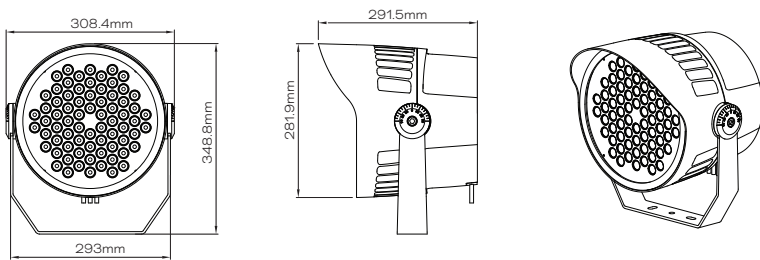


The Traxon Washer Go Maxi is an AC line powered exterior luminaire used to distinguish facades, walls, and architectural landmarks with a powerful, even color wash effect. Washer Go's high-value design features efficient electrical and optical systems, making it ideal for budget-conscious projects.

### Features

- DMX control
- Easy installation and maintenance

### Dimensions



# TRAXON Go<sup>+</sup>

Project: \_\_\_\_\_

Type: \_\_\_\_\_



IP66



COAST



DMX 512



ANSI 3G



IK07

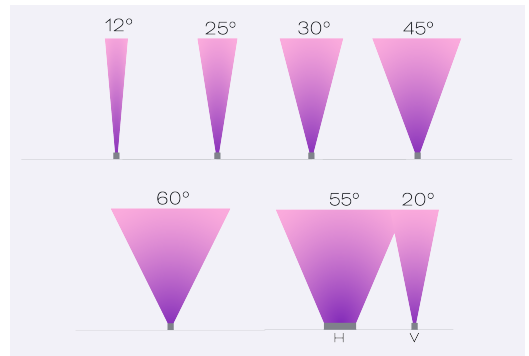
### Technologies

- Manual-addressing with TX Addresser

### Color Options



### Beam Angle



### Finish



Traxon Signature Gray: RAL7005

### Product Specifications

Model	Washer Go Maxi White
Light Source	White: 72pcs LED
Color Range	White: 2700K, 3000K, 4000K, 5700K, 6500K
LED Quantity	72pcs LED
Luminous Flux	White 3000K: 11250 lm (full on 12°) White 4000K: 12750 lm (full on 12°)
Candela	White 3000K: 158659 cd (full on 12°) White 4000K: 179813 cd (full on 12°)
Efficacy	White 3000K: 75 lm/W (full on 12°) White 4000K: 85 lm/W (full on 12°)
CRI	≥ 80 (White: 2700K/3000K/4000K) ≥ 70 (White: 5700K/6500K)
SDCM	≤5 step
Beam Angles	12°, 25°, 30°, 45°, 60°, 55x20°
Cover Lens	Tempered Glass
Housing	Die Cast Aluminum
Housing Finish Options	Traxon Signature Gray (RAL7005)
Adjustment Options	-90° to +90°
Mounting	Yoke Mount
Dimensions (W x D x H)	308mm x 292mm x 349mm
Weight	11.2kg
EPA	Front: 66475mm <sup>2</sup> / 0.72ft <sup>2</sup> Side: 76935mm <sup>2</sup> / 0.83ft <sup>2</sup>
Regulatory Listing & Safety Approval	CE, UKCA, ANSI C136.31-3G
Operating Temperature	-30°C to +50°C (-22°F to +122°F)
Minimum Starting Temperature	-20°C (-4°F)
Storage Temperature	-40°C to +80°C (-40°F to +176°F)
Environment	Outdoor, IP66, IK07, Coastal Environment (ASTM B117-16)
Humidity	85%, non-condensing

### Electrical Specifications

Input Voltage	220-240V AC
Power Consumption	150W
Lumen Maintenance	L70 50000hrs @ 25°C

### System Specifications

Power	AC Line
Control	DMX 512
Addressing Options	Manual-Addressing with TX Addresser
Chipset	MR DMX05

**LED CHARACTERISTICS** Because LEDs are semiconductor devices, their performances are subject to inherent variability commonly found in semiconductor industry. To improve consistency in performance across the same product, LED manufacturers "sort" LEDs into bins according to different preset parameters, such as forward driving voltage, illumination, etc. Whereas binning is a sorting function, it is not a correction process. Inherent variability in the manufacturing process results always in different binning distributions according to different production lots. Traxon uses automatically binned LEDs on its products, thereby minimizing output variations within the model range.

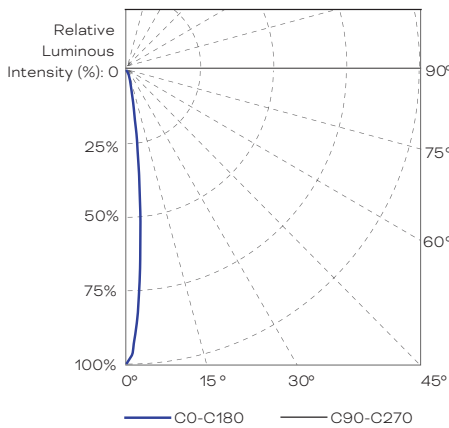
As with all electronic devices, LED output degrades over time – a term called lumen depreciation. This also explains why it is nearly impossible to expect photometric performances of two LED products with different service life spans to be the same. The rate of LED degrade is a complicate function of many factors such as operating efficiency, duration of continuous operation, and more significantly, environmental conditions (ambient temperature for example). If allowed working under optimal operating temperature range and with good ventilation, LED devices enjoy long service lives over conventional light sources. When using/installing LED devices, care should be taken to ensure that the devices will operate within the operating conditions specified in respective product literature.

Lumen measurement complies with LM-79-08 standard.  
Lumen maintenance is calculated based on LM-80 compliant measurement.

### Source Specifications

Source	White: 72pcs LED
Optics	12°

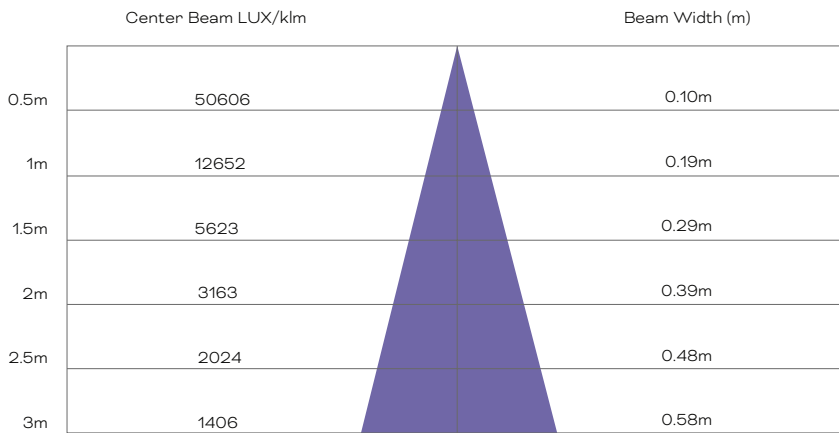
### Candela Distribution



### Light Output

Color	Luminous Flux (lm)	Center Intensity (cd)	Efficacy (lm/W)
2700K	10500	148082	70
3000K	11250	158659	75
4000K	12750	179813	85
5700K	12750	179813	85

### Illuminance at a Distance



● Horiz. Spread: 11.0°

For fc divide by 10.7

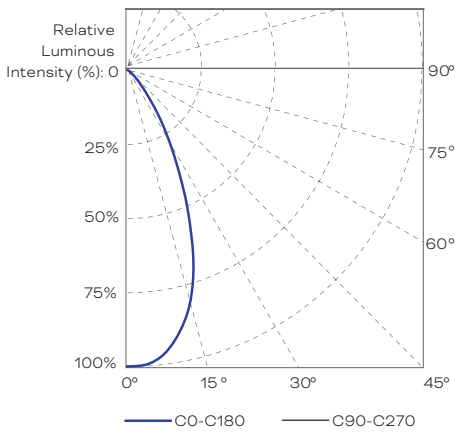
For feet multiply by 3.28

IES and LDT files are available for download from the Traxon website.

Source Specifications

Source	White: 72pcs LED
Optics	60°

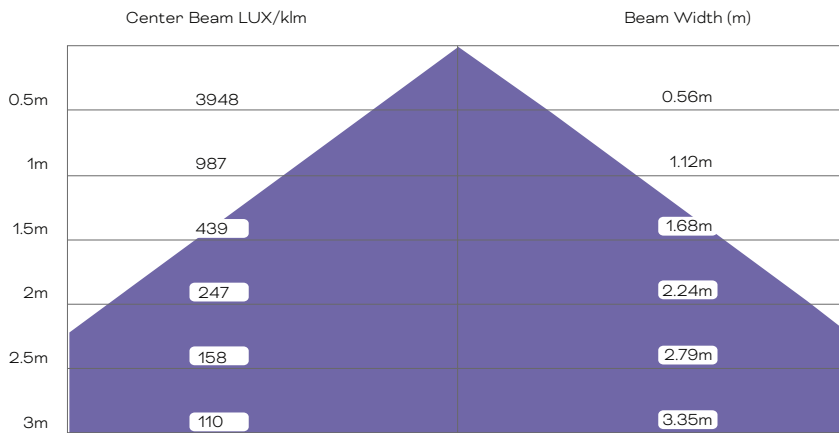
Candela Distribution



Light Output

Color	Luminous Flux (lm)	Center Intensity (cd)	Efficacy (lm/W)
2700K	8925	9110	60
3000K	9563	9760	64
4000K	10838	11062	72
5700K	10838	11062	72

Illuminance at a Distance



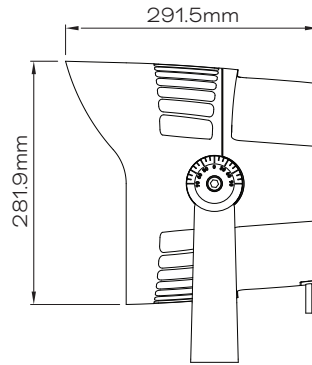
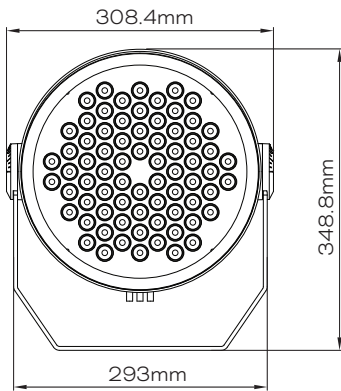
● Horiz. Spread: 58.4°

For fc divide by 10.7

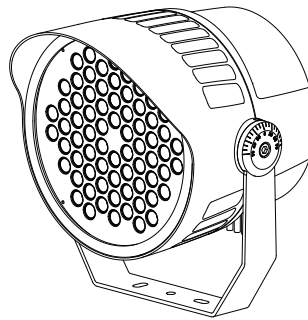
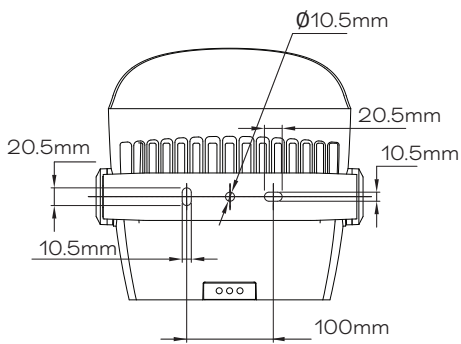
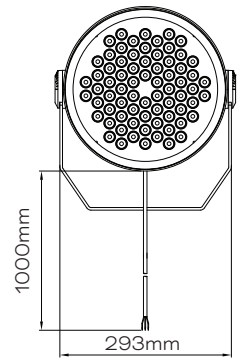
For feet multiply by 3.28

IES and LDT files are available for download from the Traxon website.

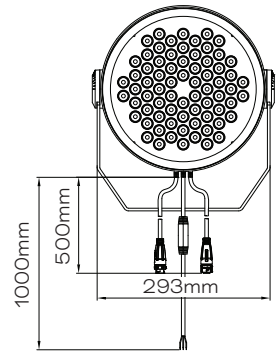
#### Fixture Dimensions



Cable Length (On / Off)

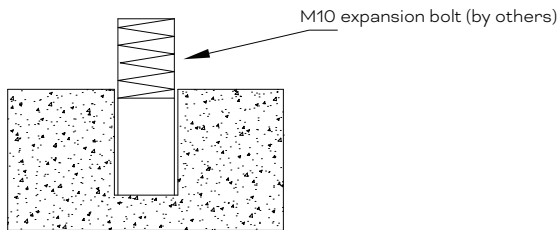


Cable Length (DMX)

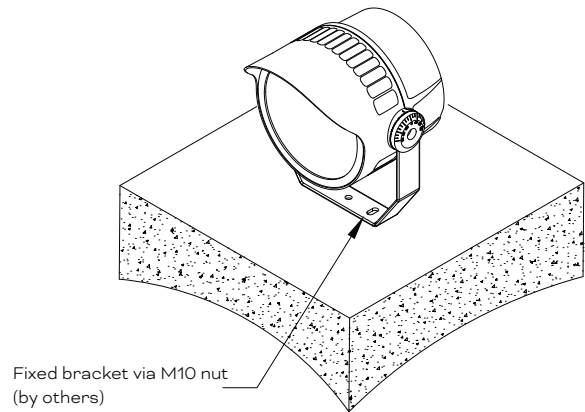


#### Bracket Mounting

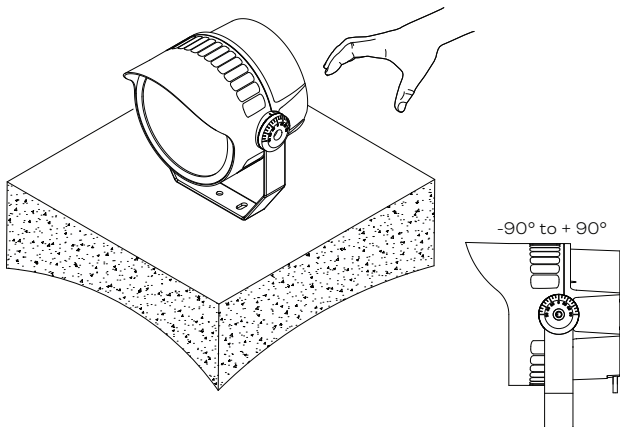
Install expansion screws on the fixed surface



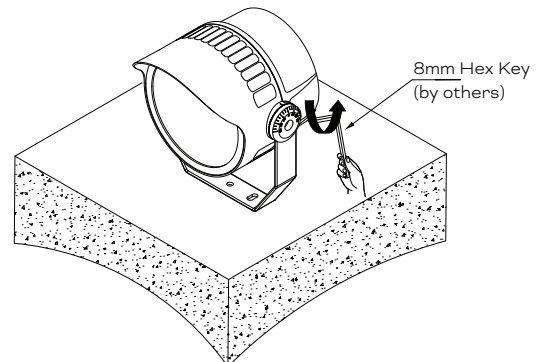
Fix the bracket



Adjust desired angles



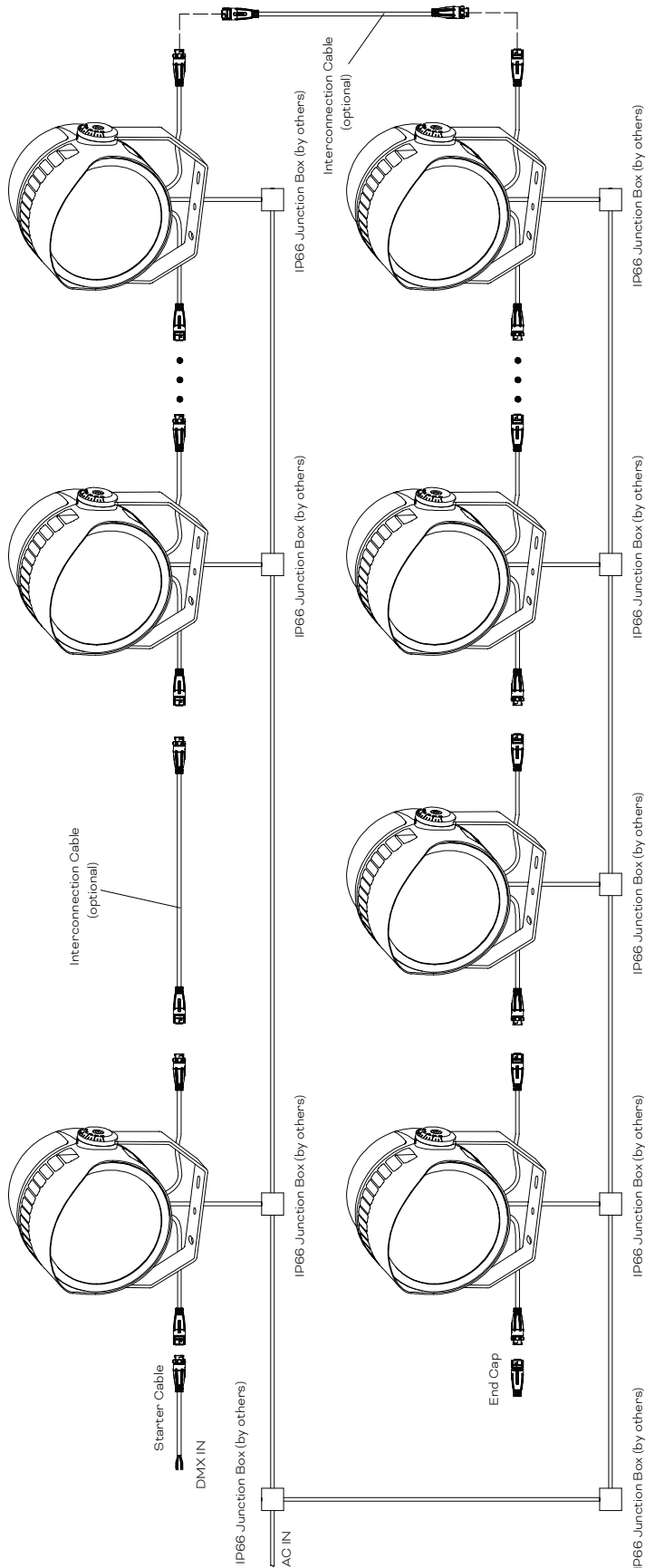
Tighten the bracket bolts to fix the luminaire to the desired angle



A safety wire must be installed to provide secondary protection to prevent fixtures from falling and injuring people (by others).

## Washer Go Maxi White

## System Diagram



-Data cabling from DMX source to Starter cable shall be Cat5e UTP or other cable type suitable for DMX communication.

	For controlling the fixtures	For addressing the fixtures
Maximum distance from Control/Addressing source to the first fixture	80m / 262'	80m / 262'
Maximum distance between fixture to fixture	30m / 98'	12m / 39'
Maximum distance from Control source to last fixture on a single DMX512 link	200m / 656'	200m / 656'
Maximum number of fixtures on a single DMX512 link	40pcs	40pcs

Maximum number of fixtures is based on minimal interconnection lengths fixture to fixture.  
Actual number of fixtures is dependent on cable interconnection lengths. The number of fixtures will reduce if longer cable lengths are used. Please consult regional sales office to confirm maximums.

Signal	Wire Size	Color	Connection
DMX+	0.5mm <sup>2</sup>	Red	DMX+
DMX-	0.5mm <sup>2</sup>	White	DMX-
Address	0.5mm <sup>2</sup>	Black	GND
GND	0.5mm <sup>2</sup>	Green	Do not connect

# Washer Go Maxi White

Ordering

## Model Number

<b>XB</b>	<b>.</b>	<b>WG</b>	<b>.</b>	<b>N</b>	<b>.</b>	<b>N</b>	<b>.</b>	<b>N</b>	<b>.</b>	<b>N</b>	<b>.</b>	<b>1</b>	<b>.</b>	<b>0</b>	<b>.</b>	<b>0</b>
		Wattage		LED		Optics		Control		Approbation		Add on				
		5: 150WAC		7: 2700K		1: 12°		1: DMX		1: CE		1: With Glare Shield				
				8: 3000K		2: 25°										
				A: 4000K		3: 30°										
				D: 5700K		4: 45°										
				E: 6000K		5: 60°										
						6: 55° x 20°										

Desired Model Number:

XB.	WG.											1			0		0
-----	-----	--	--	--	--	--	--	--	--	--	--	---	--	--	---	--	---

## Fixtures

Model No.	Description	Item Code
XB.WG.57111100	WASHER GO MAXI AC 150W 2700K 12° CE GS	DL23100033555
XB.WG.58111100	WASHER GO MAXI AC 150W 3000K 12° CE GS	DL23100033655
XB.WG.5A111100	WASHER GO MAXI AC 150W 4000K 12° CE GS	DL23100033755
XB.WG.5D111100	WASHER GO MAXI AC 150W 5700K 12° CE GS	DL23100033855
XB.WG.5E111100	WASHER GO MAXI AC 150W 6500K 12° CE GS	DL23100033955
XB.WG.57211100	WASHER GO MAXI AC 150W 2700K 25° CE GS	DL23100034855
XB.WG.58211100	WASHER GO MAXI AC 150W 3000K 25° CE GS	DL23100034955
XB.WG.5A211100	WASHER GO MAXI AC 150W 4000K 25° CE GS	DL23100035055
XB.WG.5D211100	WASHER GO MAXI AC 150W 5700K 25° CE GS	DL23100035155
XB.WG.5E211100	WASHER GO MAXI AC 150W 6500K 25° CE GS	DL23100035255
XB.WG.57311100	WASHER GO MAXI AC 150W 2700K 30° CE GS	DL23100036155
XB.WG.58311100	WASHER GO MAXI AC 150W 3000K 30° CE GS	DL23100036255
XB.WG.5A311100	WASHER GO MAXI AC 150W 4000K 30° CE GS	DL23100036355
XB.WG.5D311100	WASHER GO MAXI AC 150W 5700K 30° CE GS	DL23100036455
XB.WG.5E311100	WASHER GO MAXI AC 150W 6500K 30° CE GS	DL23100036555
XB.WG.57411100	WASHER GO MAXI AC 150W 2700K 45° CE GS	DL23100037455
XB.WG.58411100	WASHER GO MAXI AC 150W 3000K 45° CE GS	DL23100037555
XB.WG.5A411100	WASHER GO MAXI AC 150W 4000K 45° CE GS	DL23100037655
XB.WG.5D411100	WASHER GO MAXI AC 150W 5700K 45° CE GS	DL23100037755
XB.WG.5E411100	WASHER GO MAXI AC 150W 6500K 45° CE GS	DL23100037855
XB.WG.57511100	WASHER GO MAXI AC 150W 2700K 60° CE GS	DL23100038755
XB.WG.58511100	WASHER GO MAXI AC 150W 3000K 60° CE GS	DL23100038855
XB.WG.5A511100	WASHER GO MAXI AC 150W 4000K 60° CE GS	DL23100038955
XB.WG.5D511100	WASHER GO MAXI AC 150W 5700K 60° CE GS	DL23100039055
XB.WG.5E511100	WASHER GO MAXI AC 150W 6500K 60° CE GS	DL23100039155
XB.WG.57611100	WASHER GO MAXI AC 150W 2700K 55x20° CE GS	DL23100040055
XB.WG.58611100	WASHER GO MAXI AC 150W 3000K 55x20° CE GS	DL23100040155
XB.WG.5A611100	WASHER GO MAXI AC 150W 4000K 55x20° CE GS	DL23100040255
XB.WG.5D611100	WASHER GO MAXI AC 150W 5700K 55x20° CE GS	DL23100040355
XB.WG.5E611100	WASHER GO MAXI AC 150W 6500K 55x20° CE GS	DL23100040455



TX Connect

Model No.	Description	Item Code
N / A	STARTER CABLE JYK DATA 4-PIN 0.5M	DA23100095655
N / A	STARTER CABLE JYK DATA 4-PIN 2M	DA23100095755
N / A	INTERCONNECTION CABLE JYK DATA 4-PIN 0.5M	DA23100095855
N / A	INTERCONNECTION CABLE JYK DATA 4-PIN 2M	DA23100095955
N / A	END CAP JYK DATA 4-PIN W/TERM	DA23100096055

TX Control

Model No.	Description	Item Code
CD.SA.0000100	TX SMART ADDRESSER	AM438260055

