

TRAXON Go⁺

Linear Go Mini RGBW



Project: _____

Type: _____



IP66



COAST



DMX 512



ANSI 3G



IK06

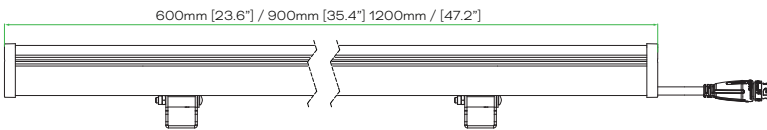
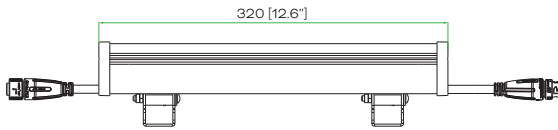
Technologies

- Manual-Addressing with TX Addresser

Features

- DMX control
- Easy installation and maintenance

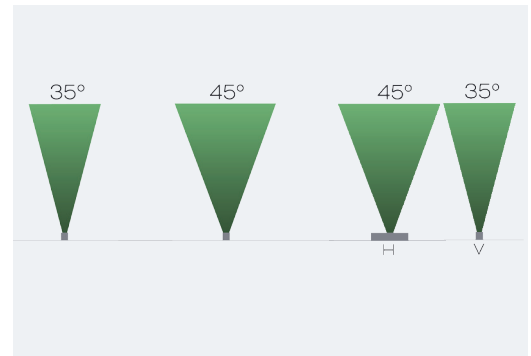
Dimensions



Color Options



Beam Angle



Finish



Traxon Signature Gray: RAL7005

Product Specifications

	Linear Go Mini RGBW			
Model	320mm / 12.6"	600mm / 23.6"	900mm / 35.4"	1200mm / 47.2"
Light Source	RGBW 4-in1			
Color Range	RGBW (W=4000K)			
LED Quantity	9pcs	18pcs	27pcs	36pcs
Luminous Flux (4.5W per 300mm / 1ft) (3.4W per 300mm / 1ft)	225 lm (35°) 170 lm (35°)	450 lm (35°) 340 lm (35°)	675 lm (35°) 510 lm (35°)	900 lm (35°) 680 lm (35°)
Efficacy	50 lm/W (full on 35°)			
Beam Angles	35°, 45°, 45° x 35°			
Pixel Configuration	1 Pixel per fixture			
Lens	Glass			
Housing	Aluminum			
Housing Finish Options	Traxon Signature Gray (RAL7005)			
Adjustment Options	-30° to +90°			
Mounting	Mounting Bracket			
Dimensions (L x W x H, Mounting Bracket included)	320mm x 30mm x 77.1mm 12.6" x 1.2" x 3.0"	600mm x 30mm x 77.1mm 23.6" x 1.2" x 3.0"	900mm x 30mm x 77.1mm 35.4" x 1.2" x 3.0"	1200mm x 30mm x 77.1mm 47.2" x 1.2" x 3.0"
Weight	0.69kg / 1.52lbs	0.99kg / 2.18lbs	1.30kg / 2.87lbs	1.65kg / 3.64lbs
Regulatory Listing & Safety Approval	CE, UKCA, cETLus, FCC, ANSI C136.31-3G			
Operating Temperature	-30°C to +50°C (-22°F to +122°F)			
Minimum Starting Temperature	-20°C (-4°F)			
Storage Temperature	-40°C to +80°C (-40°F to +176°F)			
Environment	Outdoor, IP66, IK06, Coastal Environment (ASTM B117-16)			
Humidity	85%, non-condensing			

Electrical Specifications

Input Voltage	24V DC			
	4.5W per 300mm / 1ft			
Power Consumption	4.5W	9W	13.5W	18W
	3.4W per 300mm / 1ft (3.4W per foot model meets ASHRAE 90.1-2022 Zone 3 requirements)			
	3.4W			
	13.6W			
Lumen Maintenance	L70 50000hrs @ 25°C			

System Specifications

Power Supply	CE market: LED Engine 24V ETL market: LED Engine 24V (Class 2)
Control	DMX 512
Addressing Options	Manual-Addressing with TX Addresser
Chipset	UCS 512G4

LED CHARACTERISTICS Because LEDs are semiconductor devices, their performances are subject to inherent variability commonly found in semiconductor industry. To improve consistency in performance across the same product, LED manufacturers "sort" LEDs into bins according to different preset parameters, such as forward driving voltage, illumination, etc. Whereas binning is a sorting function, it is not a correction process. Inherent variability in the manufacturing process results always in different binning distributions according to different production lots. Traxon uses automatically binned LEDs on its products, thereby minimizing output variations within the model range.

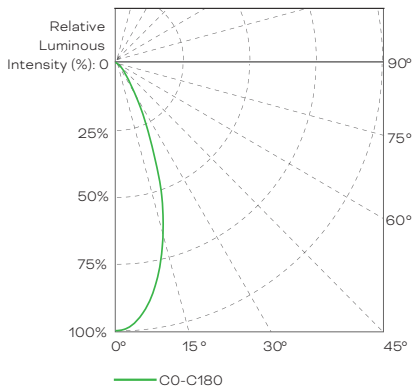
As with all electronic devices, LED output degrades over time - a term called lumen depreciation. This also explains why it is nearly impossible to expect photometric performances of two LED products with different service life spans to be the same. The rate of LED degrade is a complicate function of many factors such as operating efficiency, duration of continuous operation, and more significantly, environmental conditions (ambient temperature for example). If allowed working under optimal operating temperature range and with good ventilation, LED devices enjoy long service lives over conventional light sources. When using/installing LED devices, care should be taken to ensure that the devices will operate within the operating conditions specified in respective product literature.

This product contains a light source of energy efficiency class G to Regulation (EU) No 2019/2015. Lumen measurement complies with LM-79-08 standard. Lumen maintenance is calculated based on LM-80 compliant measurement.

Source Specifications

Source	RGBW 4-in1
Optics	35°

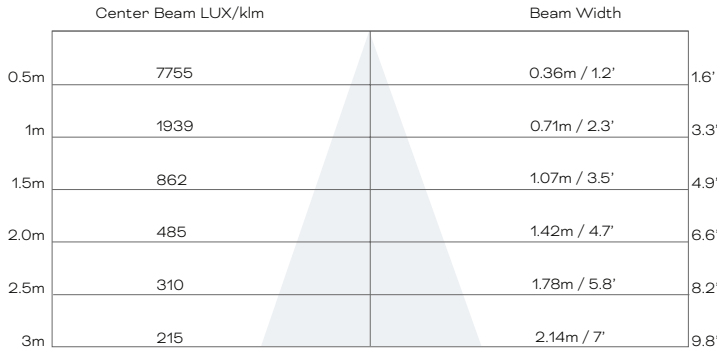
Candela Distribution



Light Output (4.5W per 300mm / 1ft)

	Color	Luminous Flux (lm)	Center Intensity (cd)	Efficacy (lm/W)
320mm / 12.6"	RGBW (full-on)	225	625	50
	RGB	142	395	43
	Red	26	72	31
	Green	48	133	72
	Blue	16	45	4
	White	82	228	58
600mm / 23.6"	RGBW (full-on)	450	1250	50
	RGB	285	791	43
	Red	52	144	31
	Green	96	266	72
	Blue	32	90	4
	White	164	457	58
900mm / 35.4"	RGBW (full-on)	675	1875	50
	RGB	427	1186	43
	Red	78	216	31
	Green	144	399	72
	Blue	49	135	4
	White	247	685	58
1200mm / 47.2"	RGBW (full-on)	900	2500	50
	RGB	569	1581	43
	Red	103	288	31
	Green	192	532	72
	Blue	65	180	4
	White	329	914	58

Illuminance at a Distance (4.5W per 300mm / 1ft)



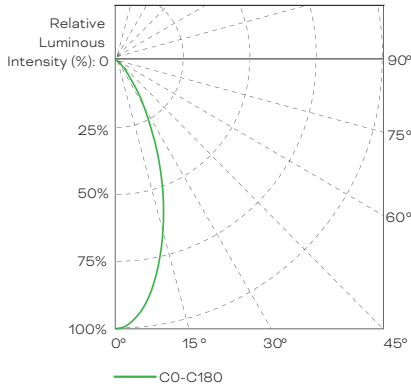
For fc divide by 10.7 ■ Horiz.Spread: 39.2°
 IES and LDT files are available for download from the Traxon website.

Color	Distance	320mm / 12.6"		600mm / 23.6"		900mm / 35.4"		1200mm / 47.2"	
		Illuminance		Illuminance		Illuminance		Illuminance	
		LUX	FC	LUX	FC	LUX	FC	LUX	FC
RGBW (full-on)	0.5m / 1.6'	1744.9	163.1	3489.8	326.1	5234.6	489.2	6979.5	652.3
	1m / 3.3'	436.3	40.8	872.6	81.6	1308.8	122.3	1745.1	163.1
	1.5m / 4.9'	194	18.1	387.9	36.3	581.9	54.4	775.8	72.5
	2m / 6.6'	109.1	10.2	218.3	20.4	327.4	30.6	436.5	40.8
	2.5m / 8.2'	69.8	6.5	139.5	13	209.3	19.6	279	26.1
	3m / 9.8'	48.4	4.5	96.8	9	145.1	13.6	193.5	18.1
RGB	0.5m / 1.6'	1101.2	102.9	2210.2	206.6	3311.4	309.5	4412.6	412.4
	1m / 3.3'	275.3	25.7	552.6	51.6	828	77.4	1103.3	103.1
	1.5m / 4.9'	122.4	11.4	245.7	23	368.1	34.4	490.5	45.8
	2m / 6.6'	68.9	6.4	138.2	12.9	207.1	19.4	276	25.8
	2.5m / 8.2'	44	4.1	88.3	8.3	132.4	12.4	176.4	16.5
	3m / 9.8'	30.5	2.9	61.3	5.7	91.8	8.6	122.3	11.4
Red	0.5m / 1.6'	201.6	18.8	403.3	37.7	604.9	56.5	798.8	74.7
	1m / 3.3'	50.4	4.7	100.8	9.4	151.2	14.1	199.7	18.7
	1.5m / 4.9'	22.4	2.1	44.8	4.2	67.2	6.3	88.8	8.3
	2m / 6.6'	12.6	1.2	25.2	2.4	37.8	3.5	50	4.7
	2.5m / 8.2'	8.1	0.8	16.1	1.5	24.2	2.3	31.9	3
	3m / 9.8'	5.6	0.5	11.2	1	16.8	1.6	22.1	2.1
Green	0.5m / 1.6'	372.2	34.8	744.5	69.6	1116.7	104.4	1489	139.2
	1m / 3.3'	93.1	8.7	186.1	17.4	279.2	26.1	372.3	34.8
	1.5m / 4.9'	41.4	3.9	82.8	7.7	124.1	11.6	165.5	15.5
	2m / 6.6'	23.3	2.2	46.6	4.4	69.8	6.5	93.1	8.7
	2.5m / 8.2'	14.9	1.4	29.8	2.8	44.6	4.2	59.5	5.6
	3m / 9.8'	10.3	1	20.6	1.9	31	2.9	41.3	3.9
Blue	0.5m / 1.6'	124.1	11.6	248.2	23.2	380	35.5	504.1	47.1
	1m / 3.3'	31	2.9	62	5.8	95	8.9	126	11.8
	1.5m / 4.9'	13.8	1.3	27.6	2.6	42.2	3.9	56	5.2
	2m / 6.6'	7.8	0.7	15.5	1.4	23.8	2.2	31.5	2.9
	2.5m / 8.2'	5	0.5	9.9	0.9	15.2	1.4	20.2	1.9
	3m / 9.8'	3.4	0.3	6.9	0.6	10.5	1	14	1.3
White	0.5m / 1.6'	635.9	59.4	1271.8	118.9	1915.5	179	2551.4	238.4
	1m / 3.3'	159	14.9	318	29.7	478.9	44.8	637.9	59.6
	1.5m / 4.9'	70.7	6.6	141.4	13.2	212.9	19.9	283.6	26.5
	2m / 6.6'	39.8	3.7	79.5	7.4	119.8	11.2	159.6	14.9
	2.5m / 8.2'	25.4	2.4	50.8	4.7	76.6	7.2	102	9.5
	3m / 9.8'	17.6	1.6	35.3	3.3	53.1	5	70.7	6.6

Source Specifications

Source	RGBW 4-in1
Optics	45°

Candela Distribution



Light Output (4.5W per 300mm / 1ft)

	Color	Luminous Flux (lm)	Center Intensity (cd)	Efficacy (lm/W)
320mm / 12.6"	RGBW (full-on)	225	446	50
	RGB	142	282	43
	Red	26	51	31
	Green	48	95	72
	Blue	16	32	4
	White	82	163	58
600mm / 23.6"	RGBW (full-on)	450	891	50
	RGB	285	564	43
	Red	52	102	31
	Green	96	190	72
	Blue	32	64	4
	White	164	326	58
900mm / 35.4"	RGBW (full-on)	675	1337	50
	RGB	427	846	43
	Red	78	154	31
	Green	144	285	72
	Blue	49	96	4
	White	247	489	58
1200mm / 47.2"	RGBW (full-on)	900	1782	50
	RGB	569	1127	43
	Red	103	205	31
	Green	192	379	72
	Blue	65	129	4
	White	329	651	58

Illuminance at a Distance (4.5W per 300mm / 1ft)

	Center Beam LUX/klm	Beam Width	
0.5m	6856	0.37m / 1.2'	1.6'
1m	1714	0.74m / 2.4'	3.3'
1.5m	762	1.12m / 3.7'	4.9'
2.0m	429	1.49m / 4.9'	6.6'
2.5m	274	1.86m / 6.1'	8.2'
3m	190	2.23m / 7.3'	9.8'

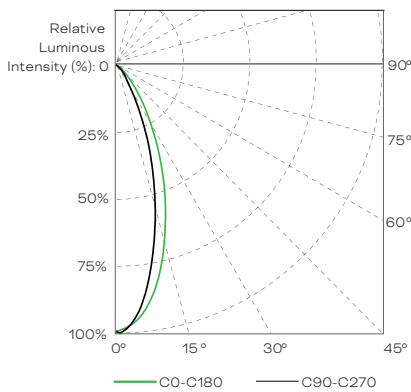
For fc divide by 10.7 ■ Horiz.Spread: 40.8°
 IES and LDT files are available for download from the Traxon website.

Color	Distance	320mm / 12.6"		600mm / 23.6"		900mm / 35.4"		1200mm / 47.2"	
		Illuminance		Illuminance		Illuminance		Illuminance	
		LUX	FC	LUX	FC	LUX	FC	LUX	FC
RGBW (full-on)	0.5m / 1.6'	1542.6	144.2	3085.2	288.3	4627.8	432.5	6170.4	576.7
	1m / 3.3'	385.7	36	771.3	72.1	1157	108.1	1542.6	144.2
	1.5m / 4.9'	171.4	16	342.9	32	514.4	48.1	685.8	64.1
	2m / 6.6'	96.5	9	193.1	18	289.6	27.1	386.1	36.1
	2.5m / 8.2'	61.7	5.8	123.3	11.5	185	17.3	246.6	23
	3m / 9.8'	42.8	4	85.5	8	128.3	12	171	16
RGB	0.5m / 1.6'	973.6	91	1954	182.6	2927.5	273.6	3901.1	364.6
	1m / 3.3'	243.4	22.7	488.5	45.7	731.9	68.4	975.3	91.1
	1.5m / 4.9'	108.2	10.1	217.2	20.3	325.4	30.4	433.6	40.5
	2m / 6.6'	60.9	5.7	122.3	11.4	183.2	17.1	244.1	22.8
	2.5m / 8.2'	38.9	3.6	78.1	7.3	117	10.9	155.9	14.6
	3m / 9.8'	27	2.5	54.2	5.1	81.1	7.6	108.1	10.1
Red	0.5m / 1.6'	178.3	16.2	356.5	33.3	534.8	50	706.2	66
	1m / 3.3'	44.6	4.2	89.1	8.3	133.7	12.5	176.5	16.5
	1.5m / 4.9'	19.8	1.9	39.6	3.7	59.4	5.6	78.5	7.3
	2m / 6.6'	11.2	1	22.3	2.1	33.5	3.1	44.2	4.1
	2.5m / 8.2'	7.1	0.7	14.2	1.3	21.4	2	28.2	2.6
	3m / 9.8'	4.9	0.5	9.9	0.9	14.8	1.4	19.6	1.8
Green	0.5m / 1.6'	329.1	30.8	658.2	61.5	987.3	92.3	1316.4	123
	1m / 3.3'	82.3	7.7	164.5	15.4	246.8	23.1	329.1	30.8
	1.5m / 4.9'	36.6	3.4	73.2	6.8	109.7	10.3	146.3	13.7
	2m / 6.6'	20.6	1.9	41.2	3.9	61.8	5.8	82.4	7.7
	2.5m / 8.2'	13.2	1.2	26.3	2.5	39.5	3.7	52.6	4.9
	3m / 9.8'	9.1	0.9	18.2	1.7	27.4	2.6	36.5	3.4
Blue	0.5m / 1.6'	109.7	10.3	219.4	20.5	335.9	31.4	445.6	41.6
	1m / 3.3'	27.4	2.6	54.8	5.1	84	7.9	111.4	10.4
	1.5m / 4.9'	12.2	1.1	24.4	2.3	37.3	3.5	49.5	4.6
	2m / 6.6'	6.9	0.6	13.7	1.3	21	2	27.9	2.6
	2.5m / 8.2'	4.4	0.4	8.8	0.8	13.4	1.3	17.8	1.7
	3m / 9.8'	3	0.3	6.1	0.6	9.3	0.9	12.4	1.2
White	0.5m / 1.6'	562.2	52.5	1124.4	105.1	1693.4	158.3	2255.6	210.8
	1m / 3.3'	140.5	13.1	281.1	26.3	423.4	39.6	563.9	52.7
	1.5m / 4.9'	62.5	5.8	125	11.7	188.2	17.6	250.7	23.4
	2m / 6.6'	35.2	3.3	70.4	6.6	106	9.9	141.1	13.2
	2.5m / 8.2'	22.5	2.1	44.9	4.2	67.7	6.3	90.1	8.4
	3m / 9.8'	15.6	1.5	31.2	2.9	46.9	4.4	62.5	5.8

Source Specifications

Source	RGBW 4-in1
Optics	45° x 35°

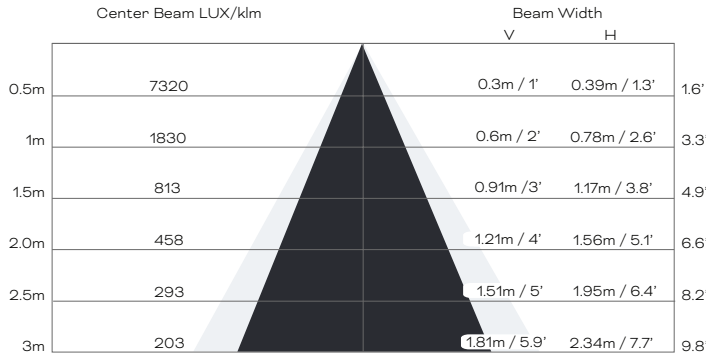
Candela Distribution



Light Output (4.5W per 300mm / 1ft)

	Color	Luminous Flux (lm)	Center Intensity (cd)	Efficacy (lm/W)
320mm / 12.6"	RGBW (full-on)	135	282	30
	RGB	85	178	26
	Red	16	32	19
	Green	29	60	43
	Blue	10	20	2
	White	49	103	35
600mm / 23.6"	RGBW (full-on)	270	563	30
	RGB	171	356	26
	Red	31	65	19
	Green	57	120	43
	Blue	19	41	2
	White	99	206	35
900mm / 35.4"	RGBW (full-on)	405	845	30
	RGB	256	535	26
	Red	47	97	19
	Green	86	180	43
	Blue	29	61	2
	White	148	309	35
1200mm / 47.2"	RGBW (full-on)	540	1127	30
	RGB	342	713	26
	Red	62	130	19
	Green	115	240	43
	Blue	39	81	2
	White	197	412	35

Illuminance at a Distance (4.5W per 300mm / 1ft)



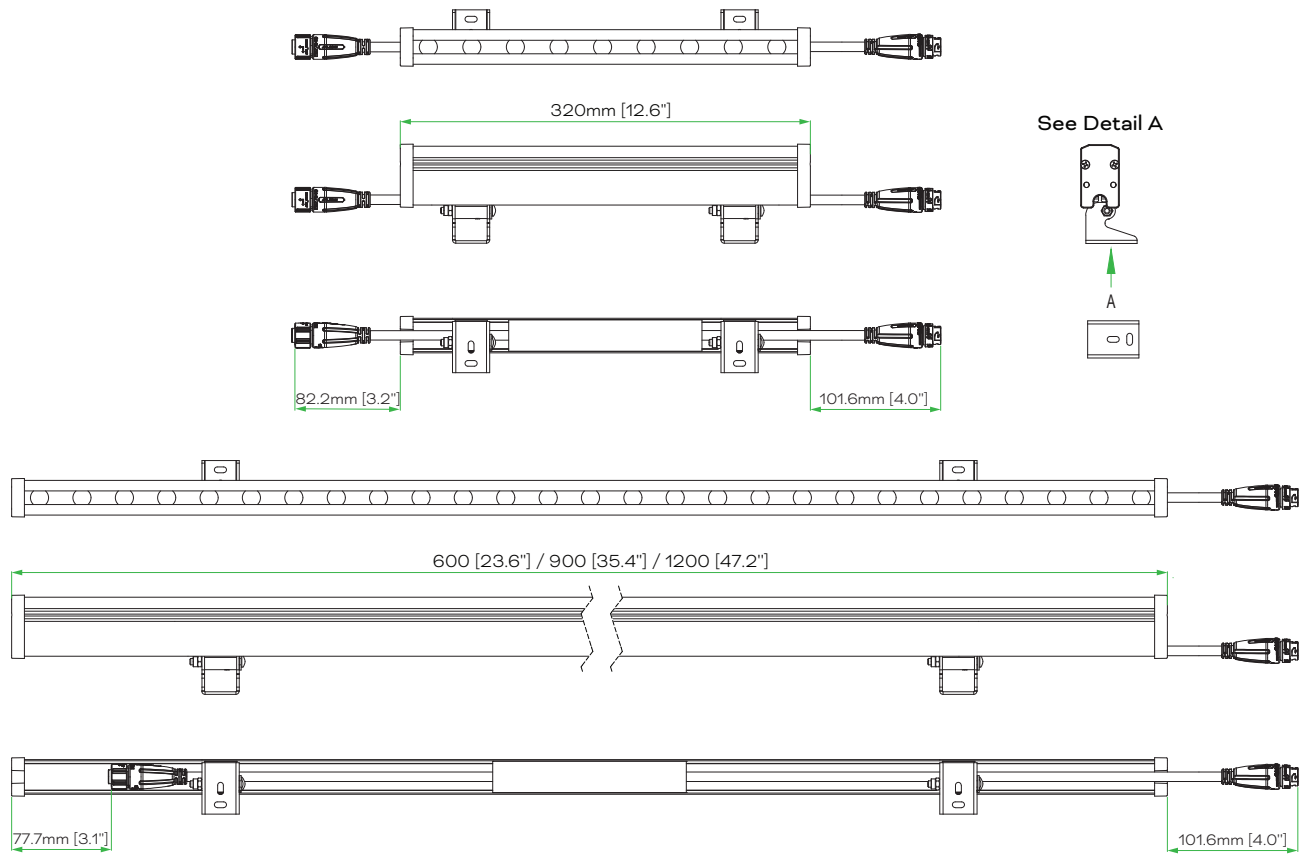
● Vert. Spread: 33.6°
 ● Horiz. Spread: 42.6°

For fc divide by 10.7

IES and LDT files are available for download from the Traxon website.

Color	Distance	320mm / 12.6"		600mm / 23.6"		900mm / 35.4"		1200mm / 47.2"	
		Illuminance		Illuminance		Illuminance		Illuminance	
		LUX	FC	LUX	FC	LUX	FC	LUX	FC
RGBW (full-on)	0.5m / 1.6'	988.2	92.4	1976.4	184.7	2964.6	277.1	3952.8	369.4
	1m / 3.3'	247.1	23.1	494.1	46.2	741.2	69.3	988.2	92.4
	1.5m / 4.9'	109.8	10.3	219.5	20.5	329.3	30.8	439	41
	2m / 6.6'	61.8	5.8	123.7	11.6	185.5	17.3	247.3	23.1
	2.5m / 8.2'	39.6	3.7	79.1	7.4	118.7	11.1	158.2	14.8
	3m / 9.8'	27.4	2.6	54.8	5.1	82.2	7.7	109.6	10.2
RGB	0.5m / 1.6'	622.2	58.1	1251.7	117	1873.9	175.1	2503.4	234
	1m / 3.3'	155.6	14.5	312.9	29.2	468.5	43.8	625.9	58.5
	1.5m / 4.9'	69.1	6.5	139	13	208.1	19.4	278	26
	2m / 6.6'	38.9	3.6	78.3	7.3	117.2	11	156.6	14.6
	2.5m / 8.2'	24.9	2.3	50.1	4.7	75	7	100.2	9.4
	3m / 9.8'	17.3	1.6	34.7	3.2	52	4.9	69.4	6.5
Red	0.5m / 1.6'	117.1	10.9	226.9	21.2	344	32.1	453.8	42.4
	1m / 3.3'	29.3	2.7	56.7	5.3	86	8	113.5	10.6
	1.5m / 4.9'	13	1.2	25.2	2.4	38.2	3.6	50.4	4.7
	2m / 6.6'	7.3	0.7	14.2	1.3	21.5	2	28.4	2.7
	2.5m / 8.2'	4.7	0.4	9.1	0.9	13.8	1.3	18.2	1.7
	3m / 9.8'	3.2	0.3	6.3	0.6	9.5	0.9	12.6	1.2
Green	0.5m / 1.6'	212.3	19.8	417.2	39	629.5	58.8	841.8	76.1
	1m / 3.3'	53.1	5	104.3	9.7	157.4	14.7	210.5	19.7
	1.5m / 4.9'	23.6	2.2	46.3	4.3	69.9	6.5	93.5	8.7
	2m / 6.6'	13.3	1.2	26.1	2.4	39.4	3.7	52.7	4.9
	2.5m / 8.2'	8.5	0.8	16.7	1.6	25.2	2.4	33.7	3.1
	3m / 9.8'	5.9	0.6	11.6	1.1	17.5	1.6	23.3	2.2
Blue	0.5m / 1.6'	73.2	6.8	139.1	13	212.3	19.8	285.5	26.7
	1m / 3.3'	18.3	1.7	34.8	3.3	53.1	5	71.4	6.7
	1.5m / 4.9'	8.1	0.8	15.4	1.4	23.6	2.2	31.7	3
	2m / 6.6'	4.6	0.4	8.7	0.8	13.3	1.2	17.9	1.7
	2.5m / 8.2'	2.9	0.3	5.6	0.5	8.5	0.8	11.4	1.1
	3m / 9.8'	2	0.2	3.9	0.4	5.9	0.6	7.9	0.7
White	0.5m / 1.6'	358.7	33.5	724.7	67.8	1083.4	101.3	1442	134.8
	1m / 3.3'	89.7	8.4	181.2	16.9	270.8	25.3	360.5	33.7
	1.5m / 4.9'	39.8	3.7	80.4	7.5	120.3	11.2	160.1	15
	2m / 6.6'	22.4	2.1	45.3	4.2	67.8	6.3	90.2	8.4
	2.5m / 8.2'	14.4	1.3	29	2.7	43.4	4.1	57.7	5.4
	3m / 9.8'	9.9	0.9	20.1	1.9	30	2.8	40	3.7

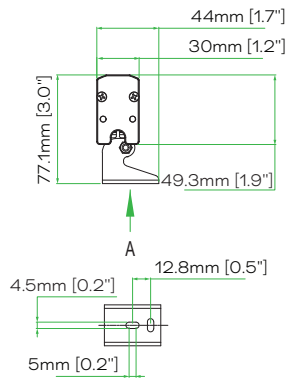
Fixture Dimensions



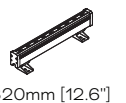
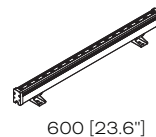
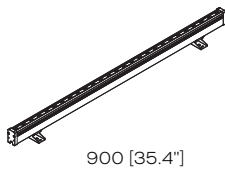
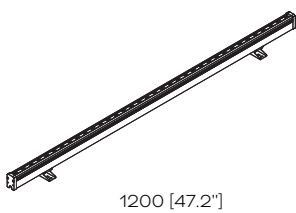
See Detail A



Detail A



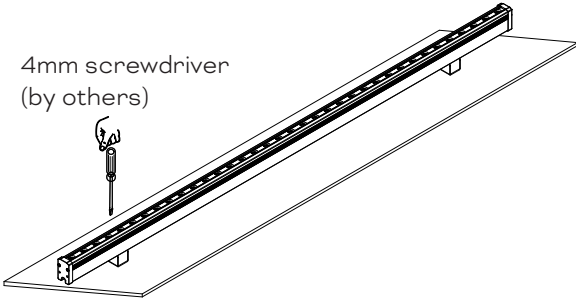
Indicator diagram of installation hole in A surface



Bracket Mounting

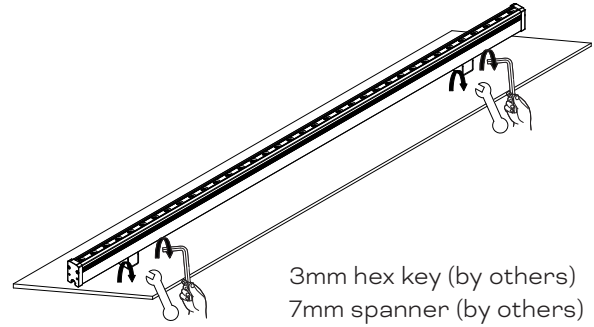
1 Fix the brackets and fixture fixing surface

4mm screwdriver
(by others)

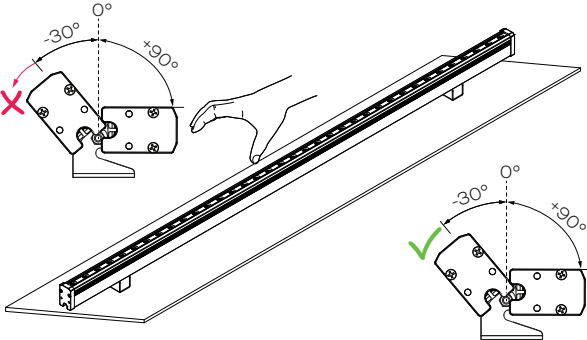


2 Loosen the bolts

3mm hex key (by others)
7mm spanner (by others)

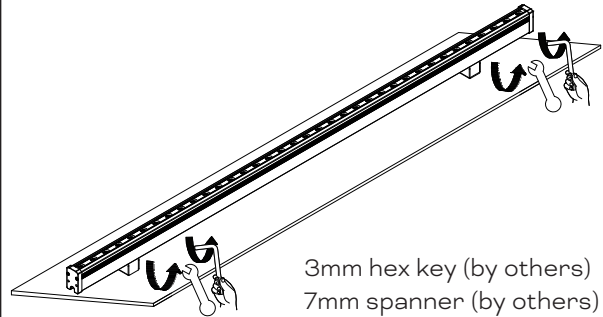


3 Adjust the fixture to desired angle

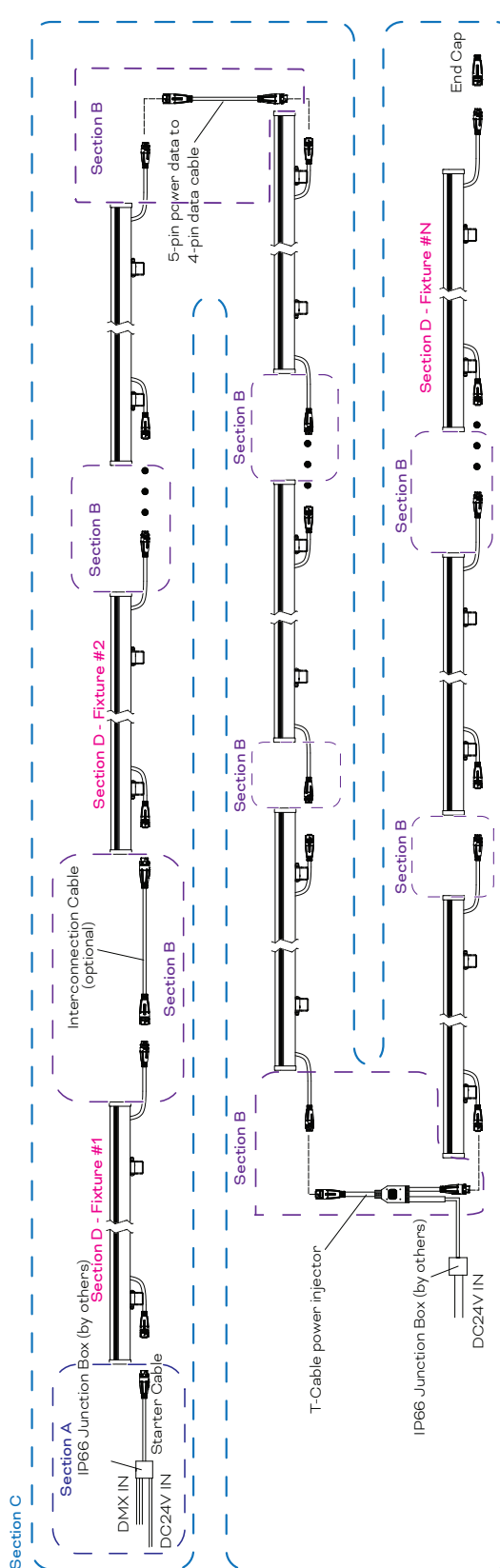


4 Fix the fixture with its desired angle

3mm hex key (by others)
7mm spanner (by others)



T-cable Wiring



Data cabling from DMX source to Starter cable shall be Cat5e UTP or other cable type suitable for DMX communication.

Function	Color	Size	Connection
DC24V- & GND	White	1.0mm ²	DC24V- & GND
DC24V+	Black	1.0mm ²	DC24V+
DMX+	Brown	0.5mm ²	DMX+
DMX-	Blue	0.5mm ²	DMX-
Address	Green	0.5mm ²	Do not connect

Section	For controlling the fixtures
Section A. Maximum distance from Control/Addressing source to the first fixture	80m / 262'
Section B. Maximum distance between fixture to fixture	30m / 98'
Section C. Maximum distance from Control source to last fixture on a single DMX512 link	200m / 656'
Section D. Maximum number of fixture on a single DMX512 link	40pcs

- Maximum number of fixture per input power line cannot exceed total wattage of 168W (CE), and 100W (US Class 2 PSU);
 Linear Go mini 320mm / 12.6"; 4.5W or 3.4W
 Linear Go mini 600mm / 23.6"; 9W or 6.8W
 Linear Go mini 900mm / 35.4"; 13.5W or 10.2W
 Linear Go mini 1200mm / 47.2"; 18W or 13.6W
- Note: 3.4W or 4.5W per 300mm / 1ft.**
3.4W per foot model meets ASHRAE 90.1-2022 Zone 3 requirements.

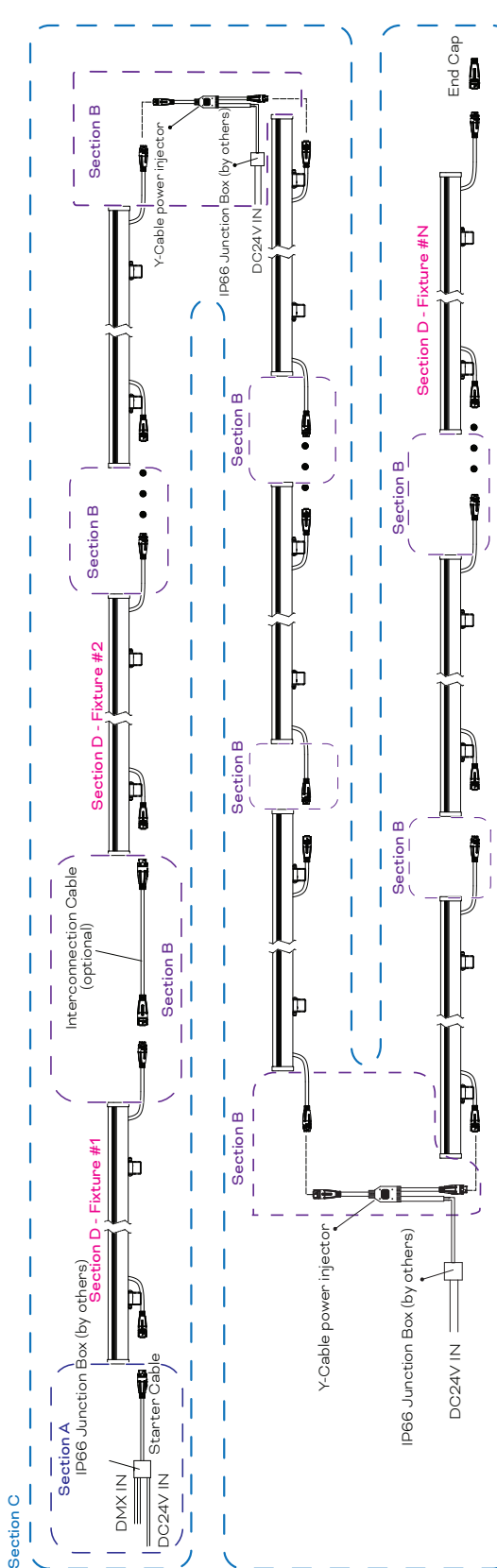
Example:

Fixture daisy chain		
Voltage	Fixture Total Power Consumption *	Max Number of fixtures
24V DC (CE)	162W	e.g. 9 pcs 1200mm (18W) per PSU input chain
24V DC (ETL) with Class 2 PSU	85.5W	e.g. 4 pcs 1200mm (18W) + 3 pcs 320mm (4.5W) per PSU input chain

Maximum number of fixtures is based on minimal interconnection lengths fixture to fixture.
 Actual number of fixtures is dependent on cable interconnection lengths. The number of fixtures will reduce if longer cable lengths are used. Please consult regional sales office to confirm maximums.

* Consider some Power Supply Unit (PSU) wattage buffer for total power consumption

Y-cable Wiring



Data cabling from DMX source to Starter cable shall be Cat5e UTP or other cable type suitable for DMX communication.

Function	Size	Color	Connection
DC24V-	1.0mm ²	White	DC24V- & GND
DC24V+	1.0mm ²	Black	DC24V+
DMX+	0.5mm ²	Brown	DMX+
DMX-	0.5mm ²	Blue	DMX-
Address	0.5mm ²	Green	Do not connect

	For controlling the fixtures	For addressing the fixtures
Section A. Maximum distance from Control/Addressing source to the first fixture	80m / 262'	80m / 262'
Section B. Maximum distance between fixture to fixture	30m / 98'	12m / 39'
Section C. Maximum distance from Control source to last fixture on a single DMX512 link	200m / 656'	200m / 656'
Section D. Maximum number of fixture on a single DMX512 link	40pcs	40pcs

Maximum number of fixture per input power line cannot exceed total wattage of 168W (GE), and 100W (US Class 2 PSU).
 Linear Go mini 320mm / 12.6"; 4.5W or 3.4W
 Linear Go mini 600mm / 23.6"; 9W or 6.8W
 Linear Go mini 900mm / 35.4"; 13.5W or 10.2W
 Linear Go mini 1200mm / 47.2"; 18W or 13.6W

Note: 3.4W or 4.5W per 300mm / 1ft.
 3.4W per foot model meets ASHRAE 90.1-2022 Zone 3 requirements.

Example:

Fixture daisy chain Voltage	Fixture Total Power Consumption *	Max Number of fixtures
24V DC (CE)	162W	e.g. 9pcs 1200mm (18W) per PSU input chain
24V DC (ETL) with Class 2 PSU	85.5W	e.g. 4pcs 1200mm (18W) = 3pcs 320mm (4.5W) per PSU input chain

Maximum number of fixtures is based on minimal interconnection lengths fixture to fixture.
 Actual number of fixtures is dependent on cable interconnection lengths. The number of fixtures will reduce if longer cable lengths are used. Please consult regional sales office to confirm maximums.

* Consider some Power Supply Unit (PSU) wattage buffer for total power consumption

Fixtures Model Number

XB	.	LG	.	1	NN	1	N	N	1	3	0	00
				Housing + Voltage	Wattage (Power)	LED	Optics	Length	Control	Approbation	Add on	
				1 - Mini DC	04: 3.4W	RGBW40 (4in1)	A: 35°	1: 320mm / 12.6"	DMX	CE & ETL	0: Without GS	
					05: 4.5W		5: 45°	3: 600mm / 23.6"				
					07: 6.8W		C: 45° x 35°	4: 900mm / 35.4"				
					09: 9W			6: 1200mm / 47.2"				
					11: 10.2W							
					14: 13.5W							
					14: 13.6W							
					18: 18W							

Desired Model Number:

XB	.	LG	.	1		1			1	3	0	00
----	---	----	---	---	--	---	--	--	---	---	---	----

Fixtures (4.5W per 300mm / 1ft)

Model No.	Description	Item Code
XB.LG.1051A113000	LINEAR GO MINI DC 4.5W RGBW40 35° 320	DL23100319755
XB.LG.1091A313000	LINEAR GO MINI DC 9W RGBW40 35° 600	DL23100319855
XB.LG.1141A413000	LINEAR GO MINI DC 13.5W RGBW40 35° 900	DL23100319955
XB.LG.1181A613000	LINEAR GO MINI DC 18W RGBW40 35° 1200	DL23100320055
XB.LG.10515113000	LINEAR GO MINI DC 4.5W RGBW40 45° 320	DL23100320355
XB.LG.10915313000	LINEAR GO MINI DC 9W RGBW40 45° 600	DL23100320455
XB.LG.11415413000	LINEAR GO MINI DC 13.5W RGBW40 45° 900	DL23100320555
XB.LG.11815613000	LINEAR GO MINI DC 18W RGBW40 45° 1200	DL23100320655
XB.LG.1051C113000	LINEAR GO MINI DC 4.5W RGBW40 45°x35° 320	DL23100320955
XB.LG.1091C313000	LINEAR GO MINI DC 9W RGBW40 45°x35° 600	DL23100321055
XB.LG.1141C413000	LINEAR GO MINI DC 13.5W RGBW40 45°x35° 900	DL23100321155
XB.LG.1181C613000	LINEAR GO MINI DC 18W RGBW40 45°x35° 1200	DL23100321255

Fixtures (3.4W per 300mm / 1ft)

Model No.	Description	Item Code
XB.LG.1041A113000	LINEAR GO MINI DC 3.4W RGBW40 35° 320	DL23100371355
XB.LG.1141A613000	LINEAR GO MINI DC 13.6W RGBW40 35° 1200	DL23100371455
XB.LG.10415113000	LINEAR GO MINI DC 3.4W RGBW40 45° 320	DL23100371555
XB.LG.11415613000	LINEAR GO MINI DC 13.6W RGBW40 45° 1200	DL23100371655
XB.LG.1041C113000	LINEAR GO MINI DC 3.4W RGBW40 45°x35° 320	DL23100371755
XB.LG.1141C613000	LINEAR GO MINI DC 13.6W RGBW40 45°x35° 1200	DL23100371855

TX Connect

Model No.	Description	Item Code
N / A	STARTER CABLE JYK DC 5-PIN 0.5M	DA23100096155
N / A	STARTER CABLE JYK DC 5-PIN 2M	DA23100096255
N / A	INTERCONNECTION CABLE JYK DC 5-PIN 0.5M	DA23100096355
N / A	INTERCONNECTION CABLE JYK DC 5-PIN 2M	DA23100096455
N / A	END CAP JYK DC DATA 5-PIN W/TERM	DA23100096555
N / A	T-CABLE JYK 5-PIN DC POWER INJECTOR	DA23100096655
N / A	5-PIN POWERDATA to 4-PIN DATA CABLE JYK	DA23100096755
N / A	Y-CABLE JYK 5-PIN DC POWER INJECTOR	DA23100754955

TX Control

Model No.	Description	Item Code
N / A	TX SMART ADDRESSER	AM438260055
N / A	LED ENGINE 24V 100W OUTDOOR	AM175860055
N / A	LED ENGINE 24V 185W OUTDOOR	AM175880055
N / A	LED ENGINE 24V 320W OUTDOOR	AM089350055