



TRAXON

Linear Go Midi White



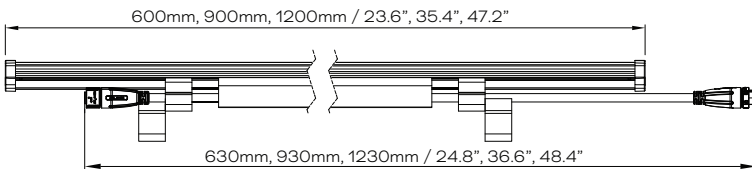
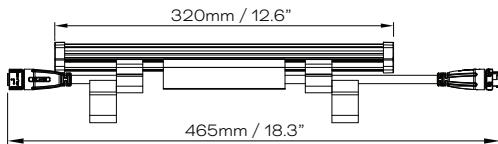
The Traxon Linear Go Midi is a DC line powered exterior luminaire used to distinguish facades, walls, and architectural landmarks with a powerful, even color wash effect. Linear Go's high-value design features efficient electrical and optical systems, making it ideal for budget-conscious projects.

Features

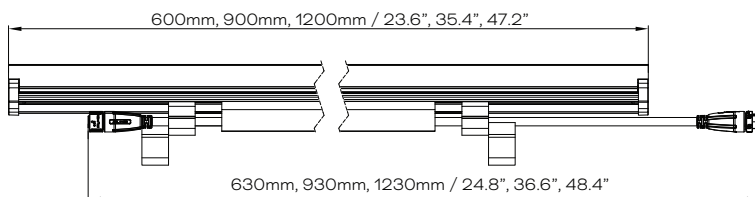
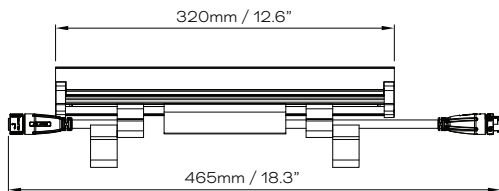
- DMX control
- Easy installation and maintenance

Dimensions

Without Glare Shield



With Glare Shield



TRAXON Go⁺

Project: _____

Type: _____



IP66



COAST



DMX 512



ANSI 3G



IK07

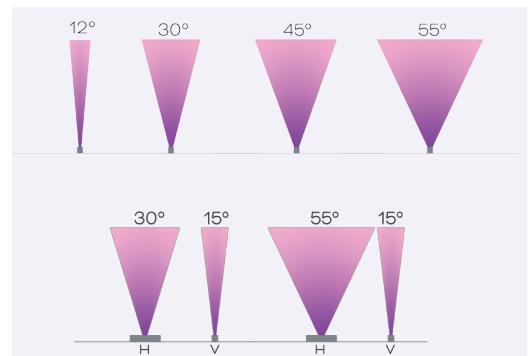
Technologies

- Manual-Addressing with TX Addresser

Color Options



Beam Angle



Finish



Traxon Signature Gray: RAL7005

Product Specifications

Linear Go Midi White				
Model	320mm / 12.6"	600mm / 23.6"	900mm / 35.4"	1200mm / 47.2"
Light Source	White LED			
Color Range	White 2700K, 3000K, 4000K, 5700K, 6500K			
LED Quantity	8pcs	16pcs	24pcs	32pcs
Luminous Flux	White 4000K: 720 lm (30°)	White 4000K: 1440 lm (30°)	White 4000K: 2160 lm (30°)	White 4000K: 2880 lm (30°)
Efficacy	White 4000K: 90 lm/W (full on 30°)			
Beam Angles	12°, 30°, 45°, 55°, 30° x 15°, 55° x 15°			
Cover Lens	Glass			
Housing	Aluminum			
Housing Finish Options	Traxon Signature Gray (RAL7005)			
Adjustment Options	-90° to +90°			
Mounting	Mounting Bracket			
Dimensions (Without Glare Shield) (L x W x H, Mounting Bracket included)	320mm x 38mm x 76mm 12.6" x 1.5" x 3.0"	600mm x 38mm x 76mm 23.6" x 1.5" x 3.0"	900mm x 38mm x 76mm 35.4" x 1.5" x 3.0"	1200mm x 38mm x 76mm 47.2" x 1.5" x 3.0"
Dimensions (With Glare Shield) (L x W x H, Mounting Bracket included)	320mm x 38mm x 94.6mm 12.6" x 1.5" x 3.7"	600mm x 38mm x 94.6mm 23.6" x 1.5" x 3.7"	900mm x 38mm x 94.6mm 35.4" x 1.5" x 3.7"	1200mm x 38mm x 94.6mm 47.2" x 1.5" x 3.7"
Weight (Without Glare Shield)	0.54kg / 1.19lbs	0.94kg / 2.07lbs	1.39kg / 3.06lbs	1.66kg / 3.66lbs
Weight (With Glare Shield)	0.59kg / 1.3lbs	1.02kg / 2.25lbs	1.52kg / 3.35lbs	1.83kg / 4.03lbs
Regulatory Listing & Safety Approval	CE, UKCA, cETLus, FCC, ANSI C136.31-3G			
Operating Temperature	-30°C to +50°C (-22°F to +122°F)			
Minimum Starting Temperature	-20°C (-4°F)			
Storage Temperature	-40°C to +80°C (-40°F to +176°F)			
Environment	Outdoor, IP66, IK07, Coastal Environment (ASTM B117-16)			
Humidity	85%, non-condensing			

Electrical Specifications

Input Voltage	24V DC			
Power Consumption	8W	16W	24W	32W
Lumen Maintenance	L70 50000hrs @ 25°C			

System Specifications

Power Supply	CE market: LED Engine 24V ETL market: LED Engine 24V (Class 2)
Control	DMX 512
Addressing Options	Manual-Addressing with TX Addresser
Chipset	MR DMX05

LED CHARACTERISTICS Because LEDs are semiconductor devices, their performances are subject to inherent variability commonly found in semiconductor industry. To improve consistency in performance across the same product, LED manufacturers "sort" LEDs into bins according to different preset parameters, such as forward driving voltage, illumination, etc. Whereas binning is a sorting function, it is not a correction process. Inherent variability in the manufacturing process results always in different binning distributions according to different production lots. Traxon uses automatically binned LEDs on its products, thereby minimizing output variations within the model range.

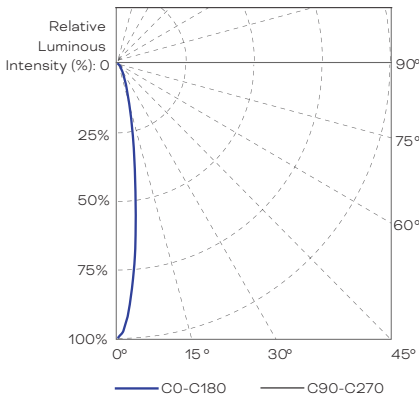
As with all electronic devices, LED output degrades over time - a term called lumen depreciation. This also explains why it is nearly impossible to expect photometric performances of two LED products with different service life spans to be the same. The rate of LED degrade is a complex function of many factors such as operating efficiency, duration of continuous operation, and more significantly, environmental conditions (ambient temperature for example). If allowed working under optimal operating temperature range and with good ventilation, LED devices enjoy long service lives over conventional light sources. When using/installing LED devices, care should be taken to ensure that the devices will operate within the operating conditions specified in respective product literature.

Lumen measurement complies with LM-79-09 standard.
Lumen maintenance is calculated based on LM-80 compliant measurement.

Source Specifications

Source	White LED
Optics	12°

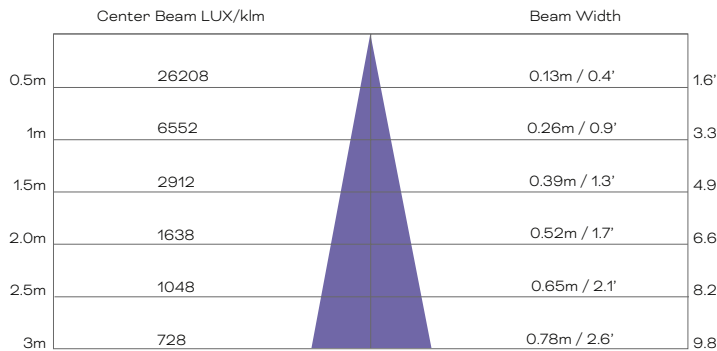
Candela Distribution



Light Output

	Color	Luminous Flux (lm)	Center Intensity (cd)	Efficacy (lm/W)
320mm / 12.6"	3000K	640	4338	80
	4000K	720	4880	90
600mm / 23.6"	3000K	1280	8676	80
	4000K	1440	9761	90
900mm / 35.4"	3000K	1920	13015	80
	4000K	2160	14641	90
1200mm / 47.2"	3000K	2560	17353	80
	4000K	2880	19522	90

Illuminance at a Distance



For fc divide by 10.7

■ Horiz. Spread: 14.8°

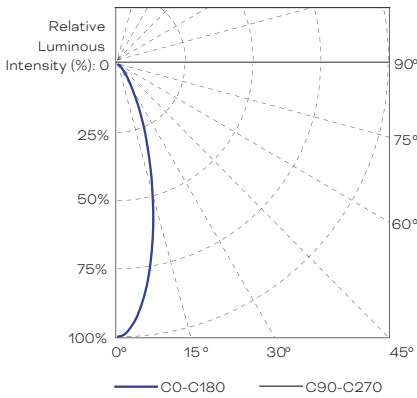
IES and LDT files are available for download from the Traxon website.

Color	Distance	320mm / 12.6"		600mm / 23.6"		900mm / 35.4"		1200mm / 47.2"	
		Illuminance		Illuminance		Illuminance		Illuminance	
		LUX	FC	LUX	FC	LUX	FC	LUX	FC
3000K	0.5m / 1.6'	16773	1568	33546	3135	50319	4703	67092	6270
	1m / 3.3'	4193	392	8387	784	12580	1176	16773	1568
	1.5m / 4.9'	1864	174	3727	348	5591	523	7455	697
	2m / 6.6'	1048	98	2097	196	3145	294	4193	392
	2.5m / 8.2'	671	63	1341	125	2012	188	2683	251
	3m / 9.8'	466	44	932	87	1398	131	1864	174
4000K	0.5m / 1.6'	18870	1764	37740	3527	56609	5291	75479	7054
	1m / 3.3'	4717	441	9435	882	14152	1323	18870	1764
	1.5m / 4.9'	2097	196	4193	392	6290	588	8387	784
	2m / 6.6'	1179	110	2359	220	3538	331	4717	441
	2.5m / 8.2'	755	71	1509	141	2264	212	3018	282
	3m / 9.8'	524	49	1048	98	1572	147	2097	196

Source Specifications

Source	White LED
Optics	30°

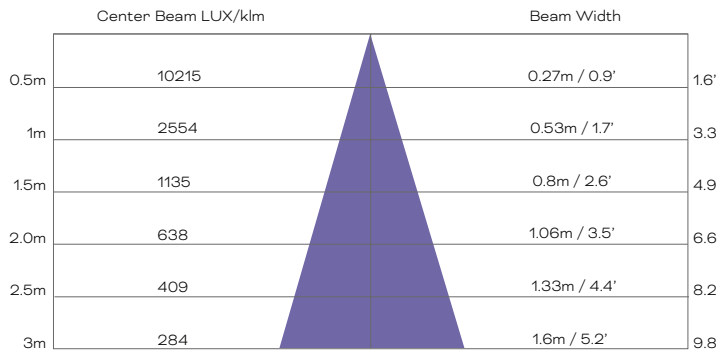
Candela Distribution



Light Output

	Color	Luminous Flux (lm)	Center Intensity (cd)	Efficacy (lm/W)
320mm / 12.6"	3000K	640	1639	80
	4000K	720	1844	90
600mm / 23.6"	3000K	1280	3278	80
	4000K	1440	3688	90
900mm / 35.4"	3000K	1920	4917	80
	4000K	2160	5532	90
1200mm / 47.2"	3000K	2560	6556	80
	4000K	2880	7375	90

Illuminance at a Distance



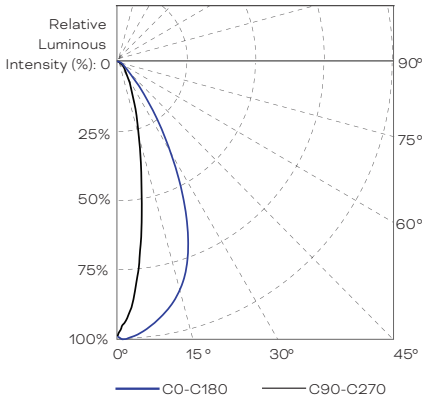
For fc divide by 10.7 ■ Horiz. Spread: 29.8°
 IES and LDT files are available for download from the Traxon website.

Color	Distance	320mm / 12.6"		600mm / 23.6"		900mm / 35.4"		1200mm / 47.2"	
		Illuminance		Illuminance		Illuminance		Illuminance	
		LUX	FC	LUX	FC	LUX	FC	LUX	FC
3000K	0.5m / 1.6'	6538	611	13075	1222	19613	1833	26150	2444
	1m / 3.3'	1635	153	3269	306	4904	458	6538	611
	1.5m / 4.9'	726	68	1453	136	2179	204	2906	272
	2m / 6.6'	408	38	817	76	1225	114	1633	153
	2.5m / 8.2'	262	24	524	49	785	73	1047	98
	3m / 9.8'	182	17	364	34	545	51	727	68
4000K	0.5m / 1.6'	7355	687	14710	1375	22064	2062	29419	2749
	1m / 3.3'	1839	172	3678	344	5517	516	7356	687
	1.5m / 4.9'	817	76	1634	153	2452	229	3269	306
	2m / 6.6'	459	43	919	86	1378	129	1837	172
	2.5m / 8.2'	294	27	589	55	883	83	1178	110
	3m / 9.8'	204	19	409	38	613	57	818	76

Source Specifications

Source	White LED
Optics	55° x 15°

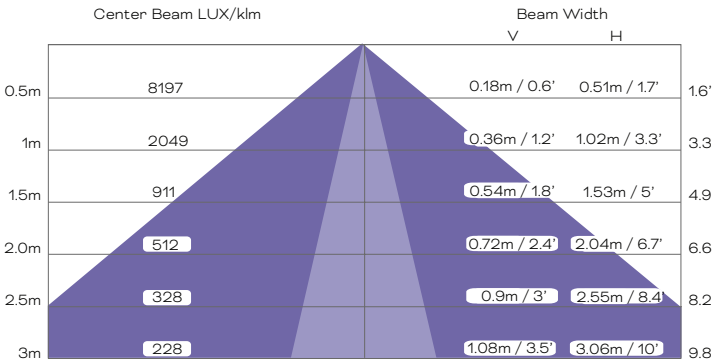
Candela Distribution



Light Output

	Color	Luminous Flux (lm)	Center Intensity (cd)	Efficacy (lm/W)
320mm / 12.6"	3000K	640	1351	80
	4000K	720	1520	90
600mm / 23.6"	3000K	1280	2702	80
	4000K	1440	3039	90
900mm / 35.4"	3000K	1920	4052	80
	4000K	2160	4559	90
1200mm / 47.2"	3000K	2560	5403	80
	4000K	2880	6079	90

Illuminance at a Distance

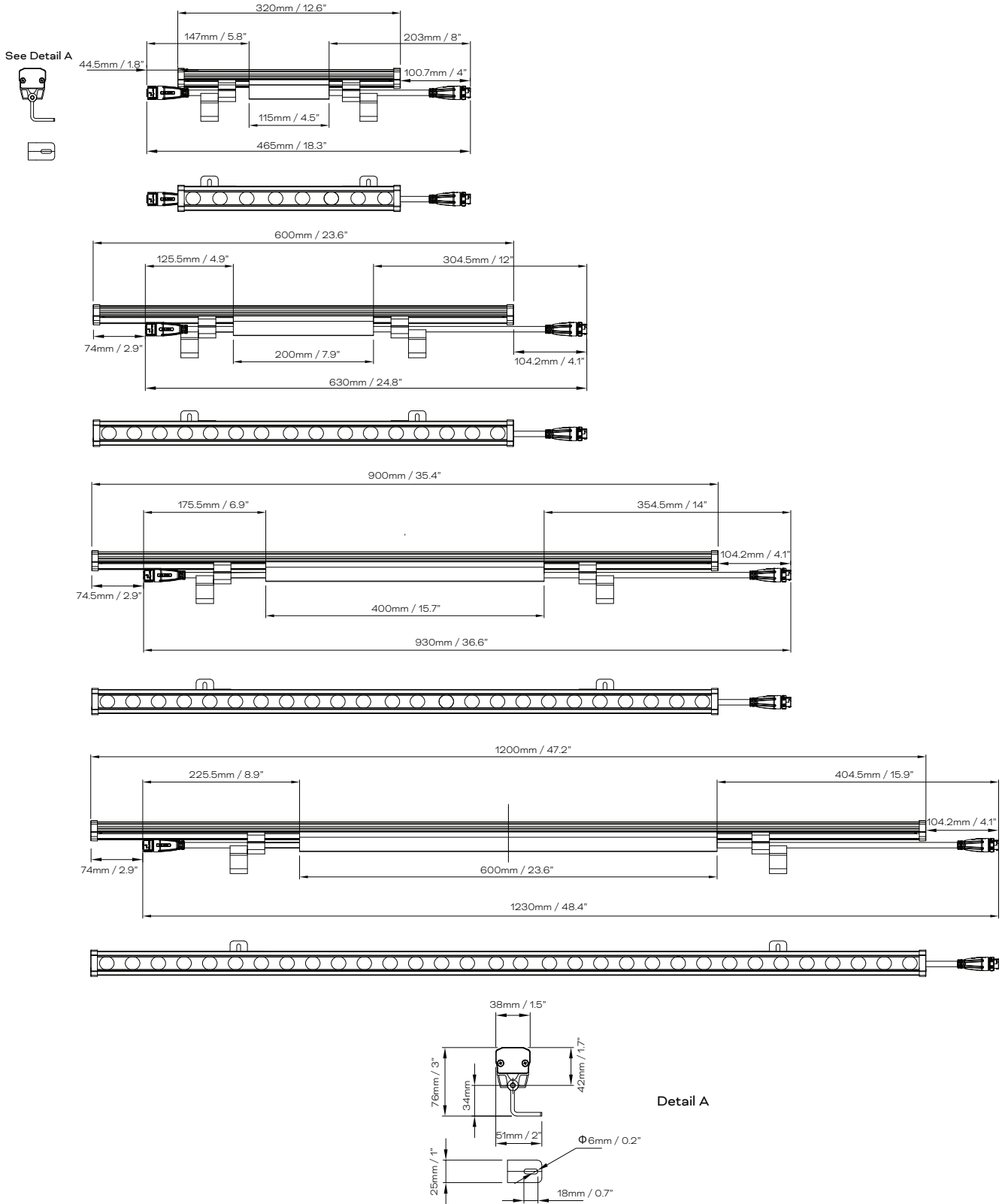


For fc divide by 10.7

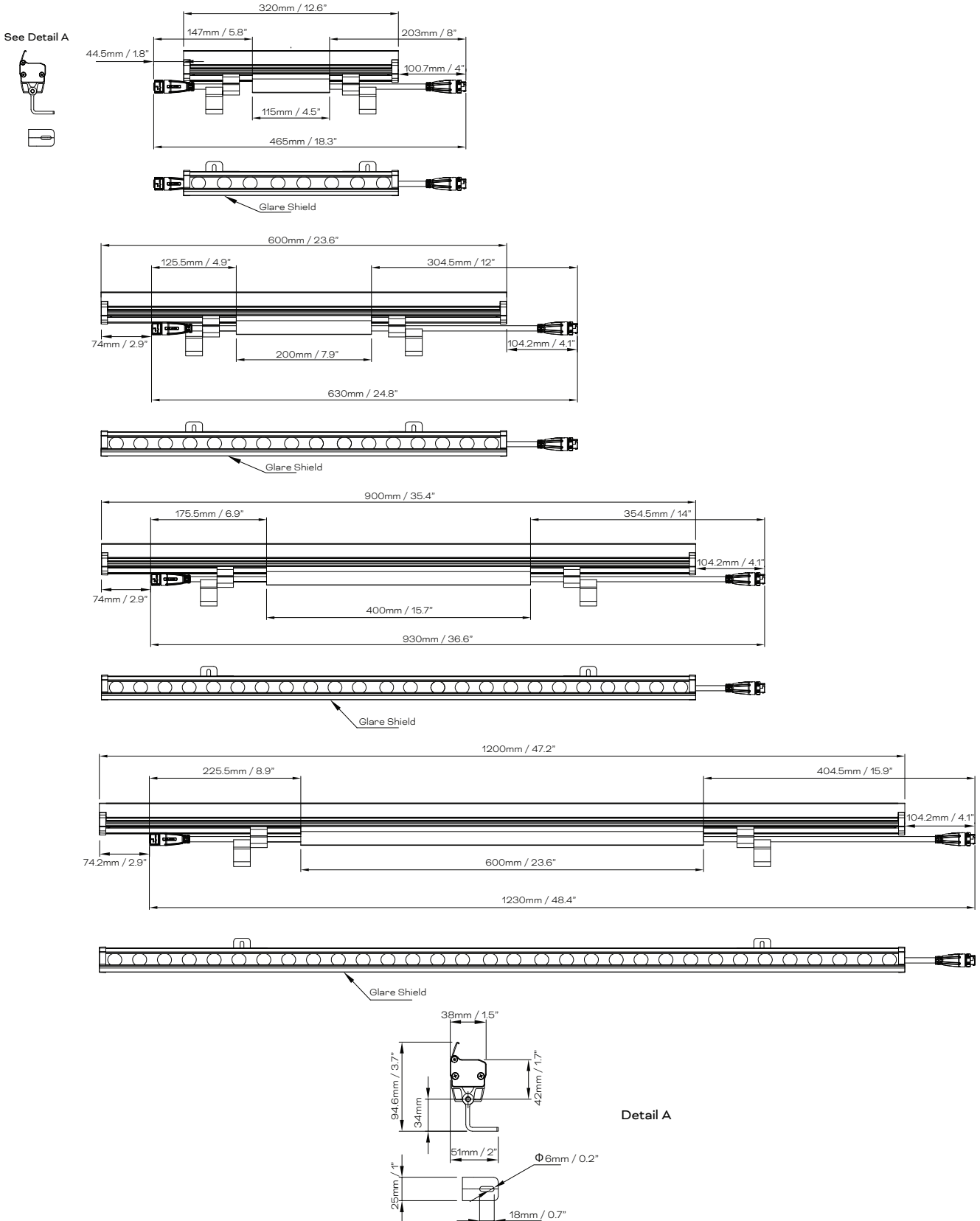
IES and LDT files are available for download from the Traxon website.

Color	Distance	320mm / 12.6"		600mm / 23.6"		900mm / 35.4"		1200mm / 47.2"	
		Illuminance		Illuminance		Illuminance		Illuminance	
		LUX	FC	LUX	FC	LUX	FC	LUX	FC
3000K	0.5m / 1.6'	5246	490	10492	981	15738	1471	20984	1961
	1m / 3.3'	1311	123	2623	245	3934	368	5245	490
	1.5m / 4.9'	583	54	1166	109	1749	163	2332	218
	2m / 6.6'	328	31	655	61	983	92	1311	123
	2.5m / 8.2'	210	20	420	39	630	59	840	79
	3m / 9.8'	146	14	292	27	438	41	584	55
4000K	0.5m / 1.6'	5902	552	11804	1103	17706	1655	23607	2206
	1m / 3.3'	1475	138	2951	276	4426	414	5901	551
	1.5m / 4.9'	656	61	1312	123	1968	184	2624	245
	2m / 6.6'	369	34	737	69	1106	103	1475	138
	2.5m / 8.2'	236	22	472	44	708	66	945	88
	3m / 9.8'	164	15	328	31	492	46	657	61

Fixture Dimensions (Without Glare Shield)

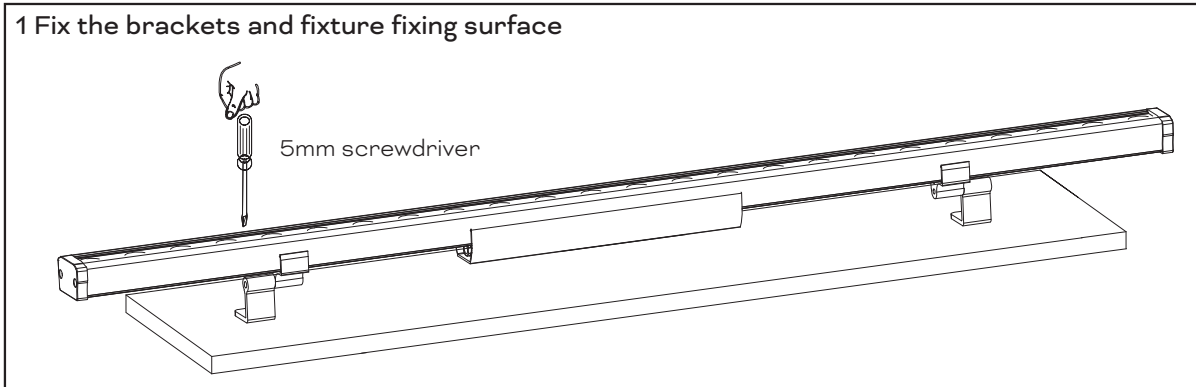


Fixture Dimensions (With Glare Shield)

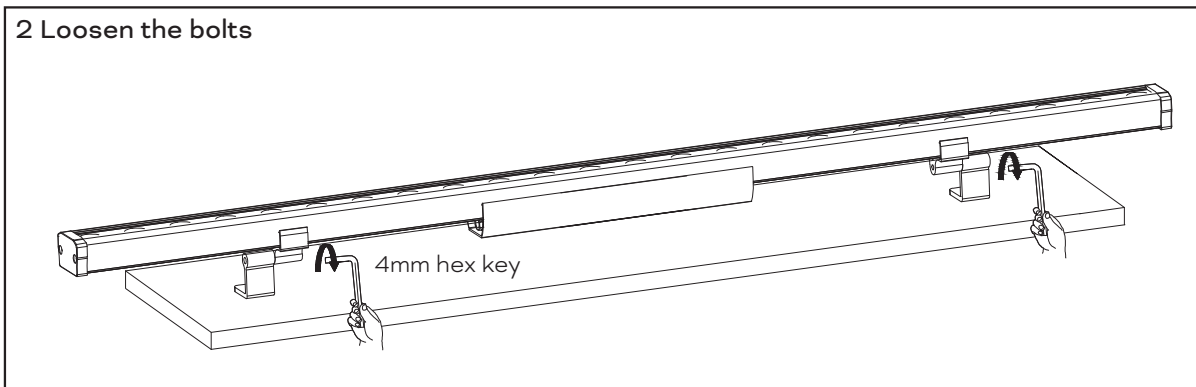


Bracket Mounting

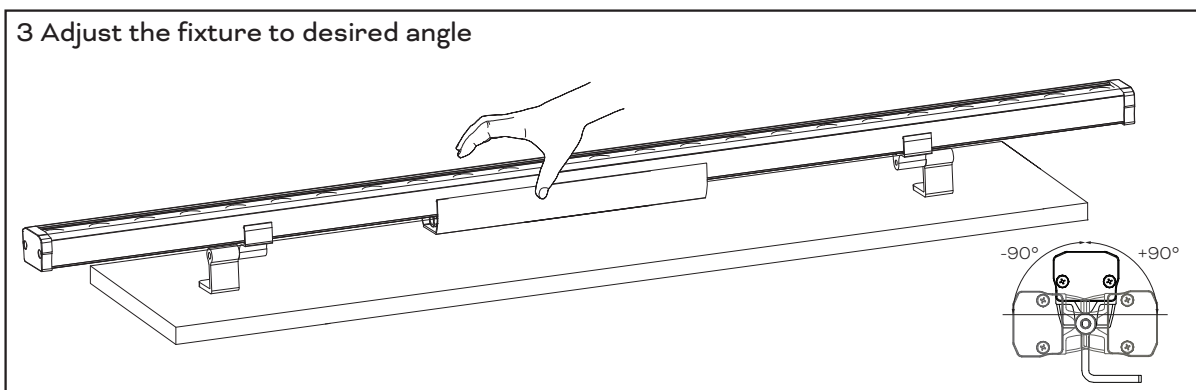
1 Fix the brackets and fixture fixing surface



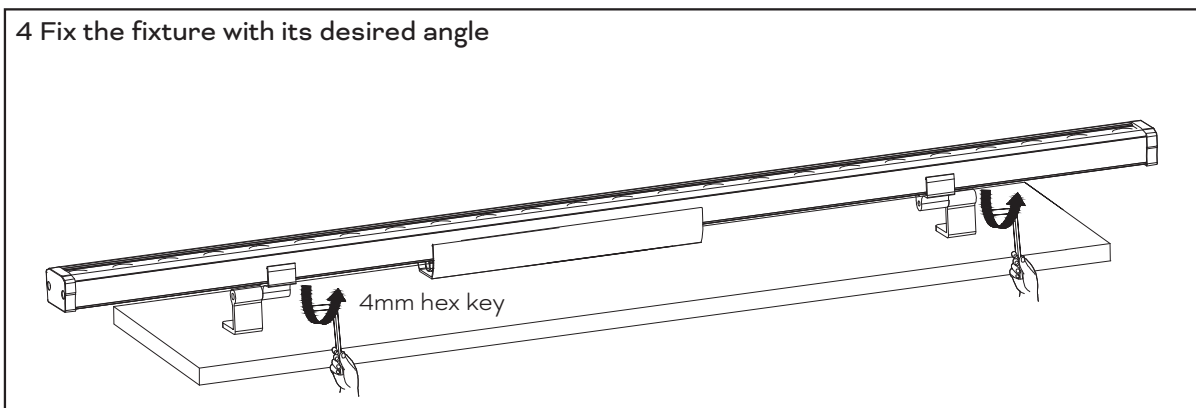
2 Loosen the bolts



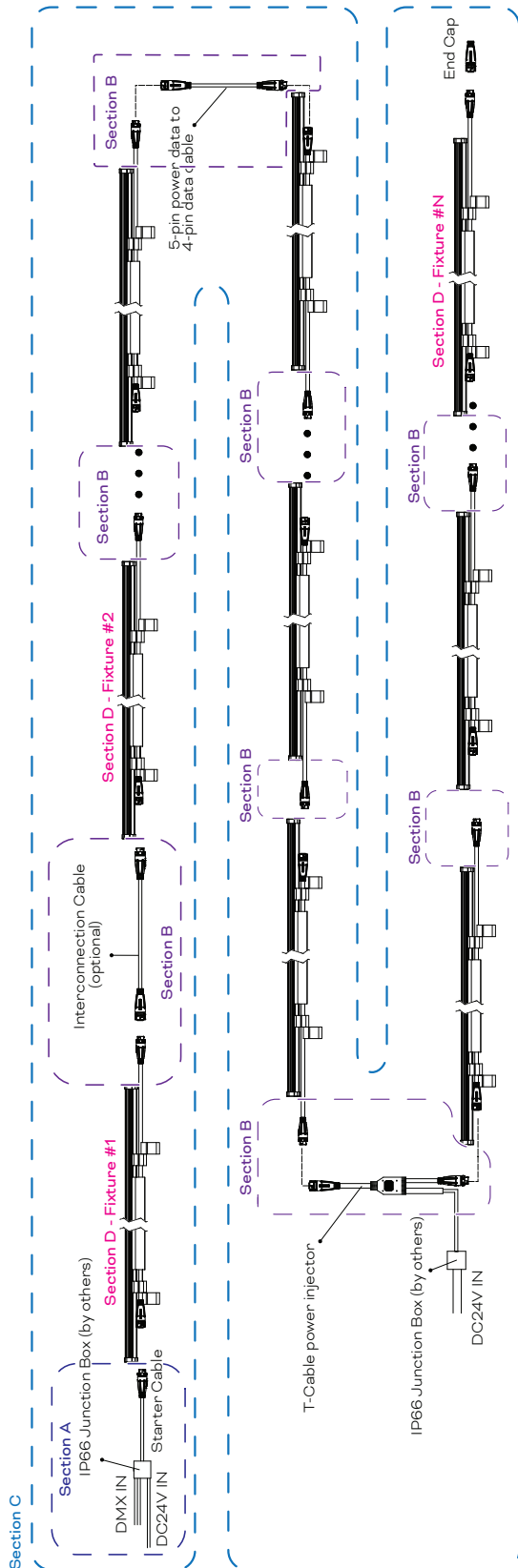
3 Adjust the fixture to desired angle



4 Fix the fixture with its desired angle



T-cable Wiring



Data cabling from DMX source to Starter cable shall be Cat5e UTP or other cable type suitable for DMX communication.

	For controlling the fixtures	For addressing the fixtures
Section A. Maximum distance from Control/Addressing source to the first fixture	80m / 262'	80m / 262'
Section B. Maximum distance between fixture to fixture	30m / 98'	12m / 39'
Section C. Maximum distance from Control source to last fixture on a single DMX512 link	200m / 656'	200m / 656'
Section D. Maximum number of fixture on a single DMX512 link	40pcs	40pcs

- Maximum number of fixture per input power line cannot exceed total wattage of 168W (CE), and 100W (US Class 2 PSU).
 Linear Go midi 320mm / 12.6": 8W
 Linear Go midi 600mm / 23.6": 16W
 Linear Go midi 900mm / 35.4": 24W
 Linear Go midi 1200mm / 47.2": 32W

Example:

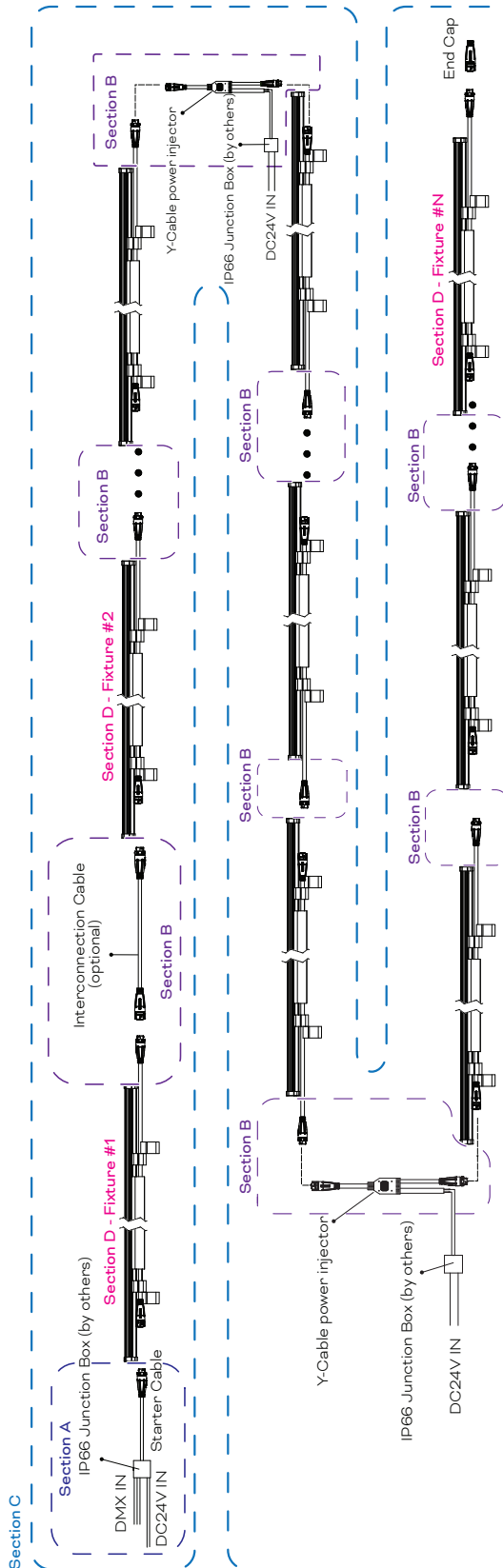
Fixture daisy chain		Fixture Total Power Consumption *	Max Number of fixtures
Voltage	24V DC (CE)	160W	e.g. 5pcs 1200mm per PSU input chain
	24V DC (ETL) with Class 2 PSU	88W	e.g. 2pcs 1200mm + 3pcs 320mm per PSU input chain

Maximum number of fixtures is based on minimal interconnection lengths fixture to fixture.
 Actual number of fixtures is dependent on cable interconnection lengths. The number of fixtures will reduce if longer cable lengths are used. Please consult regional sales office to confirm maximums.

* Consider some Power Supply Unit (PSU) wattage buffer for total power consumption

Function	Size	Color	Connection
DC24V- & GND	1.0mm ²	White	DC24V- & GND
DC24V+	1.0mm ²	Black	DC24V+
DMX+	0.5mm ²	Brown	DMX+
DMX-	0.5mm ²	Blue	DMX-
Address	0.5mm ²	Green	Do not connect

Y-cable Wiring



Function	Size	Color	Connection
DC24V-	1.0mm ²	White	DC24V- & GND
DC24V+	1.0mm ²	Black	DC24V+
DMX+	0.5mm ²	Brown	DMX+
DMX-	0.5mm ²	Blue	DMX-
Address	0.5mm ²	Green	Do not connect

- Data cabling from DMX source to Starter cable shall be Cat5e UTP or other cable type suitable for DMX communication.

	For controlling the fixtures	For addressing the fixtures
Section A. Maximum distance from Control/Addressing source to the first fixture	80m / 262'	80m / 262'
Section B. Maximum distance between fixture to fixture	30m / 98'	12m / 39'
Section C. Maximum distance from Control source to last fixture on a single DMX512 link	200m / 656'	200m / 656'
Section D. Maximum number of fixture on a single DMX512 link	40pcs	40pcs

- Maximum number of fixture per input power line cannot exceed total wattage of 168W (CE), and 100W (US Class 2 PSU).
 Linear Go midi 320mm / 12.6": 8W
 Linear Go midi 600mm / 23.6": 16W
 Linear Go midi 900mm / 35.4": 24W
 Linear Go midi 1200mm / 47.2": 32W

Example:

Fixture daisy chain		Fixture Total Power Consumption *	Max Number of fixtures
Voltage	24V DC (CE)	160W	e.g. 5pcs 1200mm per PSU input chain
	24V DC (ETL) with Class 2 PSU	88W	e.g. 2pcs 1200mm + 3pcs 320mm per PSU input chain

Maximum number of fixtures is based on minimal interconnection lengths fixture to fixture.
 Actual number of fixtures is dependent on cable interconnection lengths. The number of fixtures will reduce if longer cable lengths are used. Please consult regional sales office to confirm maximums.

* Consider some Power Supply Unit (PSU) wattage buffer for total power consumption

Fixtures Model Number

XB	LG	2	NN	N	N	N	1	3	N	00
		Housing + Voltage	Wattage (Power)	LED	Optics	Length	Control	Approbation	Add on	
		Midi DC	08: 8W	B: 2700K	1: 12°	1: 320mm	DMX	CE & ETL	0: Without GS	
			16: 16W	C: 3000K	4: 30°	3: 600mm			1: With GS	
			24: 24W	E: 4000K	5: 45°	4: 900mm				
			32: 32W	H: 5700K	6: 55°	6: 1200mm				
				I: 6500K	7: 30° x 15°					
					8: 55° x 15°					

Desired Model Number:

XB	LG	2					1	3		00
----	----	---	--	--	--	--	---	---	--	----

Fixtures

Model No.	Description	Item Code
XB.LG.208B1113000	LINEAR GO MIDI DC 8W 2700K 12° 320	DL23100175255
XB.LG.216B1313000	LINEAR GO MIDI DC 16W 2700K 12° 600	DL23100175355
XB.LG.224B1413000	LINEAR GO MIDI DC 24W 2700K 12° 900	DL23100175455
XB.LG.232B1613000	LINEAR GO MIDI DC 32W 2700K 12° 1200	DL23100175555
XB.LG.208B4113000	LINEAR GO MIDI DC 8W 2700K 30° 320	DL23100176455
XB.LG.216B4313000	LINEAR GO MIDI DC 16W 2700K 30° 600	DL23100176555
XB.LG.224B4413000	LINEAR GO MIDI DC 24W 2700K 30° 900	DL23100176655
XB.LG.232B4613000	LINEAR GO MIDI DC 32W 2700K 30° 1200	DL23100176755
XB.LG.208B5113000	LINEAR GO MIDI DC 8W 2700K 45° 320	DL23100177055
XB.LG.216B5313000	LINEAR GO MIDI DC 16W 2700K 45° 600	DL23100177155
XB.LG.224B5413000	LINEAR GO MIDI DC 24W 2700K 45° 900	DL23100177255
XB.LG.232B5613000	LINEAR GO MIDI DC 32W 2700K 45° 1200	DL23100177355
XB.LG.208B6113000	LINEAR GO MIDI DC 8W 2700K 55° 320	DL23100177655
XB.LG.216B6313000	LINEAR GO MIDI DC 16W 2700K 55° 600	DL23100177755
XB.LG.224B6413000	LINEAR GO MIDI DC 24W 2700K 55° 900	DL23100177855
XB.LG.232B6613000	LINEAR GO MIDI DC 32W 2700K 55° 1200	DL23100177955
XB.LG.208B7113000	LINEAR GO MIDI DC 8W 2700K 30°x15° 320	DL23100178255
XB.LG.216B7313000	LINEAR GO MIDI DC 16W 2700K 30°x15° 600	DL23100178355
XB.LG.224B7413000	LINEAR GO MIDI DC 24W 2700K 30°x15° 900	DL23100178455
XB.LG.232B7613000	LINEAR GO MIDI DC 32W 2700K 30°x15° 1200	DL23100178555
XB.LG.208B8113000	LINEAR GO MIDI DC 8W 2700K 55°x15° 320	DL23100178855
XB.LG.216B8313000	LINEAR GO MIDI DC 16W 2700K 55°x15° 600	DL23100178955
XB.LG.224B8413000	LINEAR GO MIDI DC 24W 2700K 55°x15° 900	DL23100179055
XB.LG.232B8613000	LINEAR GO MIDI DC 32W 2700K 55°x15° 1200	DL23100179155
XB.LG.208C1113000	LINEAR GO MIDI DC 8W 3000K 12° 320	DL23100179455
XB.LG.216C1313000	LINEAR GO MIDI DC 16W 3000K 12° 600	DL23100179555
XB.LG.224C1413000	LINEAR GO MIDI DC 24W 3000K 12° 900	DL23100179655
XB.LG.232C1613000	LINEAR GO MIDI DC 32W 3000K 12° 1200	DL23100179755
XB.LG.208C4113000	LINEAR GO MIDI DC 8W 3000K 30° 320	DL23100180655
XB.LG.216C4313000	LINEAR GO MIDI DC 16W 3000K 30° 600	DL23100180755
XB.LG.224C4413000	LINEAR GO MIDI DC 24W 3000K 30° 900	DL23100180855
XB.LG.232C4613000	LINEAR GO MIDI DC 32W 3000K 30° 1200	DL23100180955
XB.LG.208C5113000	LINEAR GO MIDI DC 8W 3000K 45° 320	DL23100181255
XB.LG.216C5313000	LINEAR GO MIDI DC 16W 3000K 45° 600	DL23100181355
XB.LG.224C5413000	LINEAR GO MIDI DC 24W 3000K 45° 900	DL23100181455
XB.LG.232C5613000	LINEAR GO MIDI DC 32W 3000K 45° 1200	DL23100181555

Fixtures

Model No.	Description	Item Code
XB.LG.208C6113000	LINEAR GO MIDI DC 8W 3000K 55° 320	DL23100181855
XB.LG.216C6313000	LINEAR GO MIDI DC 16W 3000K 55° 600	DL23100181955
XB.LG.224C6413000	LINEAR GO MIDI DC 24W 3000K 55° 900	DL23100182055
XB.LG.232C6613000	LINEAR GO MIDI DC 32W 3000K 55° 1200	DL23100182155
XB.LG.208C7113000	LINEAR GO MIDI DC 8W 3000K 30°x15° 320	DL23100182455
XB.LG.216C7313000	LINEAR GO MIDI DC 16W 3000K 30°x15° 600	DL23100182555
XB.LG.224C7413000	LINEAR GO MIDI DC 24W 3000K 30°x15° 900	DL23100182655
XB.LG.232C7613000	LINEAR GO MIDI DC 32W 3000K 30°x15° 1200	DL23100182755
XB.LG.208C8113000	LINEAR GO MIDI DC 8W 3000K 55°x15° 320	DL23100183055
XB.LG.216C8313000	LINEAR GO MIDI DC 16W 3000K 55°x15° 600	DL23100183155
XB.LG.224C8413000	LINEAR GO MIDI DC 24W 3000K 55°x15° 900	DL23100183255
XB.LG.232C8613000	LINEAR GO MIDI DC 32W 3000K 55°x15° 1200	DL23100183355
XB.LG.208E1113000	LINEAR GO MIDI DC 8W 4000K 12° 320	DL23100183655
XB.LG.216E1313000	LINEAR GO MIDI DC 16W 4000K 12° 600	DL23100183755
XB.LG.224E1413000	LINEAR GO MIDI DC 24W 4000K 12° 900	DL23100183855
XB.LG.232E1613000	LINEAR GO MIDI DC 32W 4000K 12° 1200	DL23100183955
XB.LG.208E4113000	LINEAR GO MIDI DC 8W 4000K 30° 320	DL23100184855
XB.LG.216E4313000	LINEAR GO MIDI DC 16W 4000K 30° 600	DL23100184955
XB.LG.224E4413000	LINEAR GO MIDI DC 24W 4000K 30° 900	DL23100185055
XB.LG.232E4613000	LINEAR GO MIDI DC 32W 4000K 30° 1200	DL23100185155
XB.LG.208E5113000	LINEAR GO MIDI DC 8W 4000K 45° 320	DL23100185455
XB.LG.216E5313000	LINEAR GO MIDI DC 16W 4000K 45° 600	DL23100185555
XB.LG.224E5413000	LINEAR GO MIDI DC 24W 4000K 45° 900	DL23100185655
XB.LG.232E5613000	LINEAR GO MIDI DC 32W 4000K 45° 1200	DL23100185755
XB.LG.208E6113000	LINEAR GO MIDI DC 8W 4000K 55° 320	DL23100186055
XB.LG.216E6313000	LINEAR GO MIDI DC 16W 4000K 55° 600	DL23100186155
XB.LG.224E6413000	LINEAR GO MIDI DC 24W 4000K 55° 900	DL23100186255
XB.LG.232E6613000	LINEAR GO MIDI DC 32W 4000K 55° 1200	DL23100186355
XB.LG.208E7113000	LINEAR GO MIDI DC 8W 4000K 30°x15° 320	DL23100186655
XB.LG.216E7313000	LINEAR GO MIDI DC 16W 4000K 30°x15° 600	DL23100186755
XB.LG.224E7413000	LINEAR GO MIDI DC 24W 4000K 30°x15° 900	DL23100186855
XB.LG.232E7613000	LINEAR GO MIDI DC 32W 4000K 30°x15° 1200	DL23100186955
XB.LG.208E8113000	LINEAR GO MIDI DC 8W 4000K 55°x15° 320	DL23100187255
XB.LG.216E8313000	LINEAR GO MIDI DC 16W 4000K 55°x15° 600	DL23100187355
XB.LG.224E8413000	LINEAR GO MIDI DC 24W 4000K 55°x15° 900	DL23100187455
XB.LG.232E8613000	LINEAR GO MIDI DC 32W 4000K 55°x15° 1200	DL23100187555
XB.LG.208H1113000	LINEAR GO MIDI DC 8W 5700K 12° 320	DL23100187855
XB.LG.216H1313000	LINEAR GO MIDI DC 16W 5700K 12° 600	DL23100187955
XB.LG.224H1413000	LINEAR GO MIDI DC 24W 5700K 12° 900	DL23100188055
XB.LG.232H1613000	LINEAR GO MIDI DC 32W 5700K 12° 1200	DL23100188155
XB.LG.208H4113000	LINEAR GO MIDI DC 8W 5700K 30° 320	DL23100189055
XB.LG.216H4313000	LINEAR GO MIDI DC 16W 5700K 30° 600	DL23100189155
XB.LG.224H4413000	LINEAR GO MIDI DC 24W 5700K 30° 900	DL23100189255
XB.LG.232H4613000	LINEAR GO MIDI DC 32W 5700K 30° 1200	DL23100189355
XB.LG.208H5113000	LINEAR GO MIDI DC 8W 5700K 45° 320	DL23100189655
XB.LG.216H5313000	LINEAR GO MIDI DC 16W 5700K 45° 600	DL23100189755
XB.LG.224H5413000	LINEAR GO MIDI DC 24W 5700K 45° 900	DL23100189855
XB.LG.232H5613000	LINEAR GO MIDI DC 32W 5700K 45° 1200	DL23100189955

Fixtures

Model No.	Description	Item Code
XB.LG.208H6113000	LINEAR GO MIDI DC 8W 5700K 55° 320	DL23100190255
XB.LG.216H6313000	LINEAR GO MIDI DC 16W 5700K 55° 600	DL23100190355
XB.LG.224H6413000	LINEAR GO MIDI DC 24W 5700K 55° 900	DL23100190455
XB.LG.232H6613000	LINEAR GO MIDI DC 32W 5700K 55° 1200	DL23100190555
XB.LG.208H7113000	LINEAR GO MIDI DC 8W 5700K 30°x15° 320	DL23100190855
XB.LG.216H7313000	LINEAR GO MIDI DC 16W 5700K 30°x15° 600	DL23100190955
XB.LG.224H7413000	LINEAR GO MIDI DC 24W 5700K 30°x15° 900	DL23100191055
XB.LG.232H7613000	LINEAR GO MIDI DC 32W 5700K 30°x15° 1200	DL23100191155
XB.LG.208H8113000	LINEAR GO MIDI DC 8W 5700K 55°x15° 320	DL23100191455
XB.LG.216H8313000	LINEAR GO MIDI DC 16W 5700K 55°x15° 600	DL23100191555
XB.LG.224H8413000	LINEAR GO MIDI DC 24W 5700K 55°x15° 900	DL23100191655
XB.LG.232H8613000	LINEAR GO MIDI DC 32W 5700K 55°x15° 1200	DL23100191755
XB.LG.208I1113000	LINEAR GO MIDI DC 8W 6500K 12° 320	DL23100192055
XB.LG.216I1313000	LINEAR GO MIDI DC 16W 6500K 12° 600	DL23100192155
XB.LG.224I1413000	LINEAR GO MIDI DC 24W 6500K 12° 900	DL23100192255
XB.LG.232I1613000	LINEAR GO MIDI DC 32W 6500K 12° 1200	DL23100192355
XB.LG.208I4113000	LINEAR GO MIDI DC 8W 6500K 30° 320	DL23100193255
XB.LG.216I4313000	LINEAR GO MIDI DC 16W 6500K 30° 600	DL23100193355
XB.LG.224I4413000	LINEAR GO MIDI DC 24W 6500K 30° 900	DL23100193455
XB.LG.232I4613000	LINEAR GO MIDI DC 32W 6500K 30° 1200	DL23100193555
XB.LG.208I5113000	LINEAR GO MIDI DC 8W 6500K 45° 320	DL23100193855
XB.LG.216I5313000	LINEAR GO MIDI DC 16W 6500K 45° 600	DL23100193955
XB.LG.224I5413000	LINEAR GO MIDI DC 24W 6500K 45° 900	DL23100194055
XB.LG.232I5613000	LINEAR GO MIDI DC 32W 6500K 45° 1200	DL23100194155
XB.LG.208I6113000	LINEAR GO MIDI DC 8W 6500K 55° 320	DL23100194455
XB.LG.216I6313000	LINEAR GO MIDI DC 16W 6500K 55° 600	DL23100194555
XB.LG.224I6413000	LINEAR GO MIDI DC 24W 6500K 55° 900	DL23100194655
XB.LG.232I6613000	LINEAR GO MIDI DC 32W 6500K 55° 1200	DL23100194755
XB.LG.208I7113000	LINEAR GO MIDI DC 8W 6500K 30°x15° 320	DL23100195055
XB.LG.216I7313000	LINEAR GO MIDI DC 16W 6500K 30°x15° 600	DL23100195155
XB.LG.224I7413000	LINEAR GO MIDI DC 24W 6500K 30°x15° 900	DL23100195255
XB.LG.232I7613000	LINEAR GO MIDI DC 32W 6500K 30°x15° 1200	DL23100195355
XB.LG.208I8113000	LINEAR GO MIDI DC 8W 6500K 55°x15° 320	DL23100195655
XB.LG.216I8313000	LINEAR GO MIDI DC 16W 6500K 55°x15° 600	DL23100195755
XB.LG.224I8413000	LINEAR GO MIDI DC 24W 6500K 55°x15° 900	DL23100195855
XB.LG.232I8613000	LINEAR GO MIDI DC 32W 6500K 55°x15° 1200	DL23100195955
XB.LG.208B1113100	LINEAR GO MIDI DC 8W 2700K 12° 320 GS	DL23100223855
XB.LG.216B1313100	LINEAR GO MIDI DC 16W 2700K 12° 600 GS	DL23100223955
XB.LG.224B1413100	LINEAR GO MIDI DC 24W 2700K 12° 900 GS	DL23100224055
XB.LG.232B1613100	LINEAR GO MIDI DC 32W 2700K 12° 1200 GS	DL23100224155
XB.LG.208B4113100	LINEAR GO MIDI DC 8W 2700K 30° 320 GS	DL23100225055
XB.LG.216B4313100	LINEAR GO MIDI DC 16W 2700K 30° 600 GS	DL23100225155
XB.LG.224B4413100	LINEAR GO MIDI DC 24W 2700K 30° 900 GS	DL23100225255
XB.LG.232B4613100	LINEAR GO MIDI DC 32W 2700K 30° 1200 GS	DL23100225355
XB.LG.208B5113100	LINEAR GO MIDI DC 8W 2700K 45° 320 GS	DL23100225655
XB.LG.216B5313100	LINEAR GO MIDI DC 16W 2700K 45° 600 GS	DL23100225755
XB.LG.224B5413100	LINEAR GO MIDI DC 24W 2700K 45° 900 GS	DL23100225855
XB.LG.232B5613100	LINEAR GO MIDI DC 32W 2700K 45° 1200 GS	DL23100225955

Fixtures

Model No.	Description	Item Code
XB.LG.208B6113100	LINEAR GO MIDI DC 8W 2700K 55° 320 GS	DL23100226255
XB.LG.216B6313100	LINEAR GO MIDI DC 16W 2700K 55° 600 GS	DL23100226355
XB.LG.224B6413100	LINEAR GO MIDI DC 24W 2700K 55° 900 GS	DL23100226455
XB.LG.232B6613100	LINEAR GO MIDI DC 32W 2700K 55° 1200 GS	DL23100226555
XB.LG.208B7113100	LINEAR GO MIDI DC 8W 2700K 30°x15° 320 GS	DL23100226855
XB.LG.216B7313100	LINEAR GO MIDI DC 16W 2700K 30°x15° 600 GS	DL23100226955
XB.LG.224B7413100	LINEAR GO MIDI DC 24W 2700K 30°x15° 900 GS	DL23100227055
XB.LG.232B7613100	LINEAR GO MIDI DC 32W 2700K 30°x15° 1200 GS	DL23100227155
XB.LG.208B8113100	LINEAR GO MIDI DC 8W 2700K 55°x15° 320 GS	DL23100227455
XB.LG.216B8313100	LINEAR GO MIDI DC 16W 2700K 55°x15° 600 GS	DL23100227555
XB.LG.224B8413100	LINEAR GO MIDI DC 24W 2700K 55°x15° 900 GS	DL23100227655
XB.LG.232B8613100	LINEAR GO MIDI DC 32W 2700K 55°x15° 1200 GS	DL23100227755
XB.LG.208C1113100	LINEAR GO MIDI DC 8W 3000K 12° 320 GS	DL23100228055
XB.LG.216C1313100	LINEAR GO MIDI DC 16W 3000K 12° 600 GS	DL23100228155
XB.LG.224C1413100	LINEAR GO MIDI DC 24W 3000K 12° 900 GS	DL23100228255
XB.LG.232C1613100	LINEAR GO MIDI DC 32W 3000K 12° 1200 GS	DL23100228355
XB.LG.208C4113100	LINEAR GO MIDI DC 8W 3000K 30° 320 GS	DL23100229255
XB.LG.216C4313100	LINEAR GO MIDI DC 16W 3000K 30° 600 GS	DL23100229355
XB.LG.224C4413100	LINEAR GO MIDI DC 24W 3000K 30° 900 GS	DL23100229455
XB.LG.232C4613100	LINEAR GO MIDI DC 32W 3000K 30° 1200 GS	DL23100229555
XB.LG.208C5113100	LINEAR GO MIDI DC 8W 3000K 45° 320 GS	DL23100229855
XB.LG.216C5313100	LINEAR GO MIDI DC 16W 3000K 45° 600 GS	DL23100229955
XB.LG.224C5413100	LINEAR GO MIDI DC 24W 3000K 45° 900 GS	DL23100230055
XB.LG.232C5613100	LINEAR GO MIDI DC 32W 3000K 45° 1200 GS	DL23100230155
XB.LG.208C6113100	LINEAR GO MIDI DC 8W 3000K 55° 320 GS	DL23100230455
XB.LG.216C6313100	LINEAR GO MIDI DC 16W 3000K 55° 600 GS	DL23100230555
XB.LG.224C6413100	LINEAR GO MIDI DC 24W 3000K 55° 900 GS	DL23100230655
XB.LG.232C6613100	LINEAR GO MIDI DC 32W 3000K 55° 1200 GS	DL23100230755
XB.LG.208C7113100	LINEAR GO MIDI DC 8W 3000K 30°x15° 320 GS	DL23100231055
XB.LG.216C7313100	LINEAR GO MIDI DC 16W 3000K 30°x15° 600 GS	DL23100231155
XB.LG.224C7413100	LINEAR GO MIDI DC 24W 3000K 30°x15° 900 GS	DL23100231255
XB.LG.232C7613100	LINEAR GO MIDI DC 32W 3000K 30°x15° 1200 GS	DL23100231355
XB.LG.208C8113100	LINEAR GO MIDI DC 8W 3000K 55°x15° 320 GS	DL23100231655
XB.LG.216C8313100	LINEAR GO MIDI DC 16W 3000K 55°x15° 600 GS	DL23100231755
XB.LG.224C8413100	LINEAR GO MIDI DC 24W 3000K 55°x15° 900 GS	DL23100231855
XB.LG.232C8613100	LINEAR GO MIDI DC 32W 3000K 55°x15° 1200 GS	DL23100231955
XB.LG.208E1113100	LINEAR GO MIDI DC 8W 4000K 12° 320 GS	DL23100232255
XB.LG.216E1313100	LINEAR GO MIDI DC 16W 4000K 12° 600 GS	DL23100232355
XB.LG.224E1413100	LINEAR GO MIDI DC 24W 4000K 12° 900 GS	DL23100232455
XB.LG.232E1613100	LINEAR GO MIDI DC 32W 4000K 12° 1200 GS	DL23100232555
XB.LG.208E4113100	LINEAR GO MIDI DC 8W 4000K 30° 320 GS	DL23100233455
XB.LG.216E4313100	LINEAR GO MIDI DC 16W 4000K 30° 600 GS	DL23100233555
XB.LG.224E4413100	LINEAR GO MIDI DC 24W 4000K 30° 900 GS	DL23100233655
XB.LG.232E4613100	LINEAR GO MIDI DC 32W 4000K 30° 1200 GS	DL23100233755
XB.LG.208E5113100	LINEAR GO MIDI DC 8W 4000K 45° 320 GS	DL23100234055
XB.LG.216E5313100	LINEAR GO MIDI DC 16W 4000K 45° 600 GS	DL23100234155
XB.LG.224E5413100	LINEAR GO MIDI DC 24W 4000K 45° 900 GS	DL23100234255
XB.LG.232E5613100	LINEAR GO MIDI DC 32W 4000K 45° 1200 GS	DL23100234355

Fixtures

Model No.	Description	Item Code
XB.LG.208E6113100	LINEAR GO MIDI DC 8W 4000K 55° 320 GS	DL23100234655
XB.LG.216E6313100	LINEAR GO MIDI DC 16W 4000K 55° 600 GS	DL23100234755
XB.LG.224E6413100	LINEAR GO MIDI DC 24W 4000K 55° 900 GS	DL23100234855
XB.LG.232E6613100	LINEAR GO MIDI DC 32W 4000K 55° 1200 GS	DL23100234955
XB.LG.208E7113100	LINEAR GO MIDI DC 8W 4000K 30°x15° 320 GS	DL23100235255
XB.LG.216E7313100	LINEAR GO MIDI DC 16W 4000K 30°x15° 600 GS	DL23100235355
XB.LG.224E7413100	LINEAR GO MIDI DC 24W 4000K 30°x15° 900 GS	DL23100235455
XB.LG.232E7613100	LINEAR GO MIDI DC 32W 4000K 30°x15° 1200 GS	DL23100235555
XB.LG.208E8113100	LINEAR GO MIDI DC 8W 4000K 55°x15° 320 GS	DL23100235855
XB.LG.216E8313100	LINEAR GO MIDI DC 16W 4000K 55°x15° 600 GS	DL23100235955
XB.LG.224E8413100	LINEAR GO MIDI DC 24W 4000K 55°x15° 900 GS	DL23100236055
XB.LG.232E8613100	LINEAR GO MIDI DC 32W 4000K 55°x15° 1200 GS	DL23100236155
XB.LG.208H1113100	LINEAR GO MIDI DC 8W 5700K 12° 320 GS	DL23100236455
XB.LG.216H1313100	LINEAR GO MIDI DC 16W 5700K 12° 600 GS	DL23100236555
XB.LG.224H1413100	LINEAR GO MIDI DC 24W 5700K 12° 900 GS	DL23100236655
XB.LG.232H1613100	LINEAR GO MIDI DC 32W 5700K 12° 1200 GS	DL23100236755
XB.LG.208H4113100	LINEAR GO MIDI DC 8W 5700K 30° 320 GS	DL23100237655
XB.LG.216H4313100	LINEAR GO MIDI DC 16W 5700K 30° 600 GS	DL23100237755
XB.LG.224H4413100	LINEAR GO MIDI DC 24W 5700K 30° 900 GS	DL23100237855
XB.LG.232H4613100	LINEAR GO MIDI DC 32W 5700K 30° 1200 GS	DL23100237955
XB.LG.208H5113100	LINEAR GO MIDI DC 8W 5700K 45° 320 GS	DL23100238255
XB.LG.216H5313100	LINEAR GO MIDI DC 16W 5700K 45° 600 GS	DL23100238355
XB.LG.224H5413100	LINEAR GO MIDI DC 24W 5700K 45° 900 GS	DL23100238455
XB.LG.232H5613100	LINEAR GO MIDI DC 32W 5700K 45° 1200 GS	DL23100238555
XB.LG.208H6113100	LINEAR GO MIDI DC 8W 5700K 55° 320 GS	DL23100238855
XB.LG.216H6313100	LINEAR GO MIDI DC 16W 5700K 55° 600 GS	DL23100238955
XB.LG.224H6413100	LINEAR GO MIDI DC 24W 5700K 55° 900 GS	DL23100239055
XB.LG.232H6613100	LINEAR GO MIDI DC 32W 5700K 55° 1200 GS	DL23100239155
XB.LG.208H7113100	LINEAR GO MIDI DC 8W 5700K 30°x15° 320 GS	DL23100239455
XB.LG.216H7313100	LINEAR GO MIDI DC 16W 5700K 30°x15° 600 GS	DL23100239555
XB.LG.224H7413100	LINEAR GO MIDI DC 24W 5700K 30°x15° 900 GS	DL23100239655
XB.LG.232H7613100	LINEAR GO MIDI DC 32W 5700K 30°x15° 1200 GS	DL23100239755
XB.LG.208H8113100	LINEAR GO MIDI DC 8W 5700K 55°x15° 320 GS	DL23100240055
XB.LG.216H8313100	LINEAR GO MIDI DC 16W 5700K 55°x15° 600 GS	DL23100240155
XB.LG.224H8413100	LINEAR GO MIDI DC 24W 5700K 55°x15° 900 GS	DL23100240255
XB.LG.232H8613100	LINEAR GO MIDI DC 32W 5700K 55°x15° 1200 GS	DL23100240355
XB.LG.208I1113100	LINEAR GO MIDI DC 8W 6500K 12° 320 GS	DL23100240655
XB.LG.216I1313100	LINEAR GO MIDI DC 16W 6500K 12° 600 GS	DL23100240755
XB.LG.224I1413100	LINEAR GO MIDI DC 24W 6500K 12° 900 GS	DL23100240855
XB.LG.232I1613100	LINEAR GO MIDI DC 32W 6500K 12° 1200 GS	DL23100240955
XB.LG.208I4113100	LINEAR GO MIDI DC 8W 6500K 30° 320 GS	DL23100241855
XB.LG.216I4313100	LINEAR GO MIDI DC 16W 6500K 30° 600 GS	DL23100241955
XB.LG.224I4413100	LINEAR GO MIDI DC 24W 6500K 30° 900 GS	DL23100242055
XB.LG.232I4613100	LINEAR GO MIDI DC 32W 6500K 30° 1200 GS	DL23100242155
XB.LG.208I5113100	LINEAR GO MIDI DC 8W 6500K 45° 320 GS	DL23100242455
XB.LG.216I5313100	LINEAR GO MIDI DC 16W 6500K 45° 600 GS	DL23100242555
XB.LG.224I5413100	LINEAR GO MIDI DC 24W 6500K 45° 900 GS	DL23100242655
XB.LG.232I5613100	LINEAR GO MIDI DC 32W 6500K 45° 1200 GS	DL23100242755

Fixtures

Model No.	Description	Item Code
XB.LG.208I6113100	LINEAR GO MIDI DC 8W 6500K 55° 320 GS	DL23100243055
XB.LG.216I6313100	LINEAR GO MIDI DC 16W 6500K 55° 600 GS	DL23100243155
XB.LG.224I6413100	LINEAR GO MIDI DC 24W 6500K 55° 900 GS	DL23100243255
XB.LG.232I6613100	LINEAR GO MIDI DC 32W 6500K 55° 1200 GS	DL23100243355
XB.LG.208I7113100	LINEAR GO MIDI DC 8W 6500K 30°x15° 320 GS	DL23100243655
XB.LG.216I7313100	LINEAR GO MIDI DC 16W 6500K 30°x15° 600 GS	DL23100243755
XB.LG.224I7413100	LINEAR GO MIDI DC 24W 6500K 30°x15° 900 GS	DL23100243855
XB.LG.232I7613100	LINEAR GO MIDI DC 32W 6500K 30°x15° 1200 GS	DL23100243955
XB.LG.208I8113100	LINEAR GO MIDI DC 8W 6500K 55°x15° 320 GS	DL23100244255
XB.LG.216I8313100	LINEAR GO MIDI DC 16W 6500K 55°x15° 600 GS	DL23100244355
XB.LG.224I8413100	LINEAR GO MIDI DC 24W 6500K 55°x15° 900 GS	DL23100244455
XB.LG.232I8613100	LINEAR GO MIDI DC 32W 6500K 55°x15° 1200 GS	DL23100244555

TX Connect

Model No.	Description	Item Code
N / A	STARTER CABLE JYK DC 5-PIN 0.5M	DA23100096155
N / A	STARTER CABLE JYK DC 5-PIN 2M	DA23100096255
N / A	INTERCONNECTION CABLE JYK DC 5-PIN 0.5M	DA23100096355
N / A	INTERCONNECTION CABLE JYK DC 5-PIN 2M	DA23100096455
N / A	END CAP JYK DC DATA 5-PIN W/TERM	DA23100096555
N / A	T-CABLE JYK 5-PIN DC POWER INJECTOR	DA23100096655
N / A	5-PIN POWERDATA to 4-PIN DATA CABLE JYK	DA23100096755
N / A	Y-CABLE JYK 5-PIN DC POWER INJECTOR	DA23100754955

TX Control

Model No.	Description	Item Code
N / A	TX SMART ADDRESSER	AM438260055
N / A	LED ENGINE 24V 100W OUTDOOR	AM175860055
N / A	LED ENGINE 24V 185W OUTDOOR	AM175880055
N / A	LED ENGINE 24V 320W OUTDOOR	AM089350055

