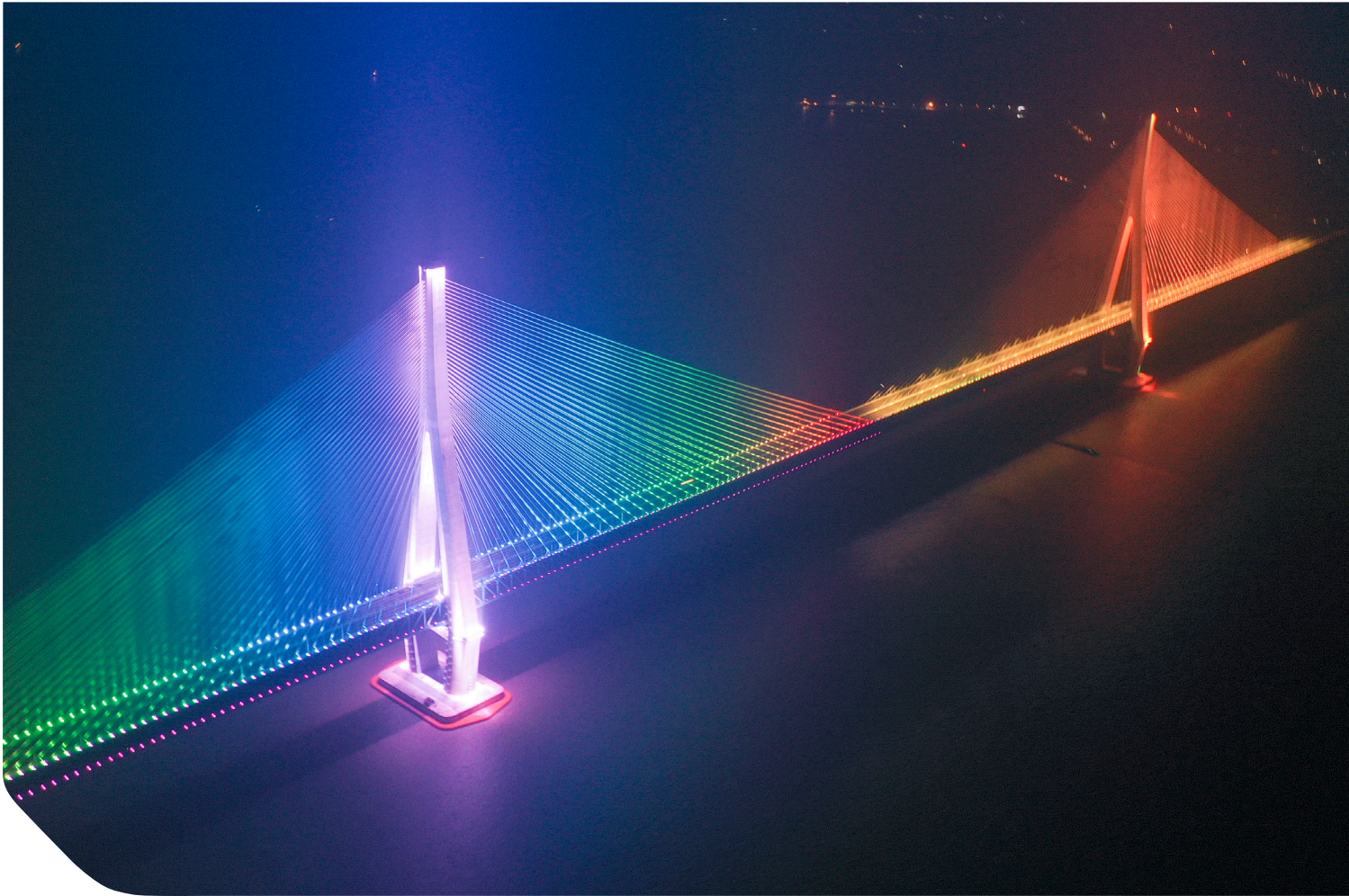


Our Brands

traxon e:cue

OSRAM



## ProPoint™ Vista 1x100W / 2x100W / 3x100W

High-brightness exterior luminaire for high-rise, tower and façades




ProPoint Vista is a super high brightness luminaire designed for maximum reach projects. Vista delivers best in class output and minimizes fixture footprint. Controllable via DMX512 with built in Remote Device Management (RDM), Vista comes with precise control and monitoring capability over the entire system. The system is connected using a daisy chain topology with separate power and data cables for easy and cost efficient installation.



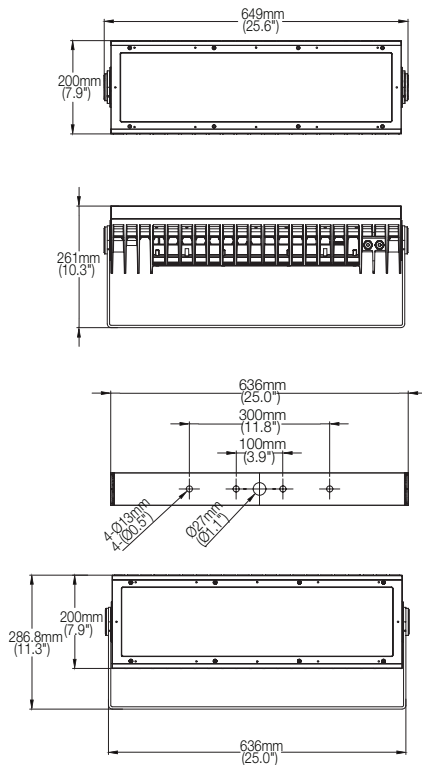
The ProPoint Vista series is a complete portfolio of solutions including RGBW, White (3000K, 4000K) as standards, while RGBA, RGB, other White CCTs, DW, and individual saturated colors are available on request. One, two, three, and four-channel control platforms provide the most efficient data management no matter your application. Industry leading 3° native optic is combined with an integrated internal louver as standard. Eleven light shaping optics are available via a field installable spread lens module. Choose from our three standard finishes – Gray, Black, and White – or contact Traxon for your own custom RAL color.

Efficient, flexible, and powerful, ProPoint Vista is further enhanced with full and half glare shields, rock guard, and pole mounts – each finished the same as your fixture.

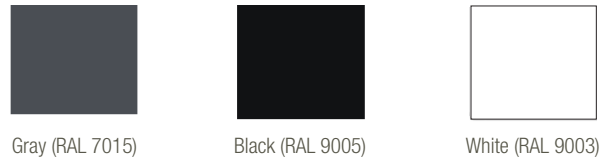
Technical Specifications & Options

	RGBW		White	
COLOR				
TECHNICAL SPECIFICATIONS				
	LUMINOUS FLUX	EFFICACY	LUMINOUS FLUX	EFFICACY
1 x 100W	6,012 lm	40 lm/W	8,139 lm (3000K) 9,815 lm (4000K)	81 lm/W (3000K) 98 lm/W (4000K)
2 x 100W	12,024 lm		16,279 lm (3000K) 19,630 lm (4000K)	
3 x 100W	18,036 lm		24,418 lm (3000K) 29,444 lm (4000K)	
BEAM ANGLE	 Native Optic		5°, 8°, 10°, 15°, 20°, 30°, 40°, 55°, 80°, 50°x10°, 50°x5° via accessory	
ENVIRONMENT				
CERTIFICATIONS	cETLus, CE, FCC, RoHS, REACH, ASTM B117-16, ANSI 3G, IK08			
INPUT VOLTAGE	100-277VAc 50/60Hz			
OPERATING TEMPERATURE	-30°C to +55°C / -22°F to +131°F			
POWER FACTOR	≥ 0.9			
CONTROL	DMX512, RDM Enabled			
TECHNOLOGY	DynaMood® BeamOne			
PIXEL CONTROL	Each head is individually addressed and controlled			

Dimensions - ProPoint Vista 1 x 100W

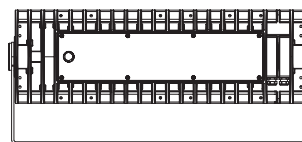


Body Finishes:



ProPoint Vista 100W open wire cable lengths

	Power input cable	Data in/out cable (combined)
Cable Length (open wire)	1830mm (72")	1830mm (72")
Cable Outer Diameter	7.8mm (0.31")	8.1mm (0.32")



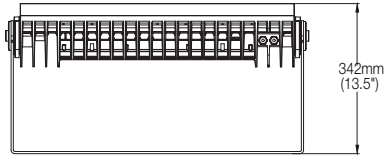
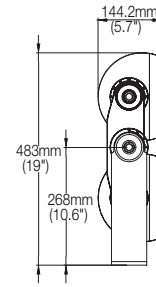
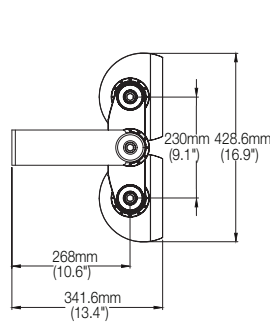
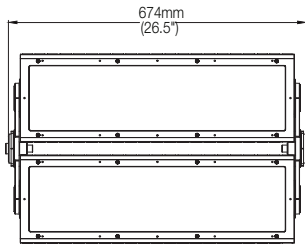
Our Brands

traxon e:cue

www.traxontechnologies.com  
www.osram.us/traxon

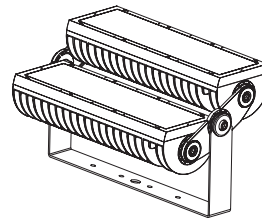
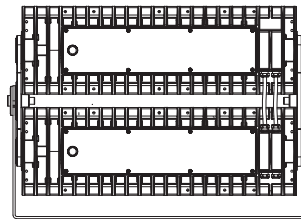
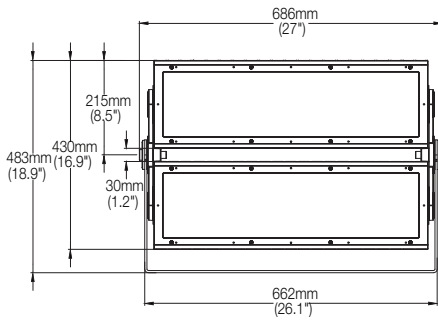
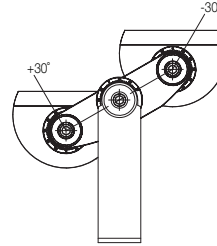
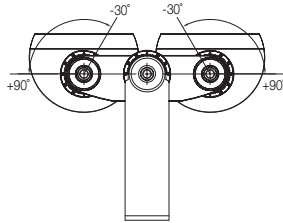
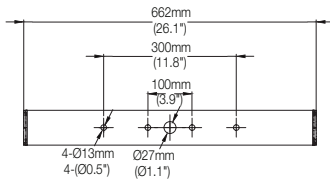
OSRAM

Dimensions - ProPoint Vista 2 x 100W



ProPoint Vista 100Wx2 open wire cable lengths

	Power input cable	Data in/out cable (combined)
Cable Length (open wire)	1830mm (72")	1830mm (72")
Cable Outer Diameter	7.8mm (0.31")	8.1mm (0.32")



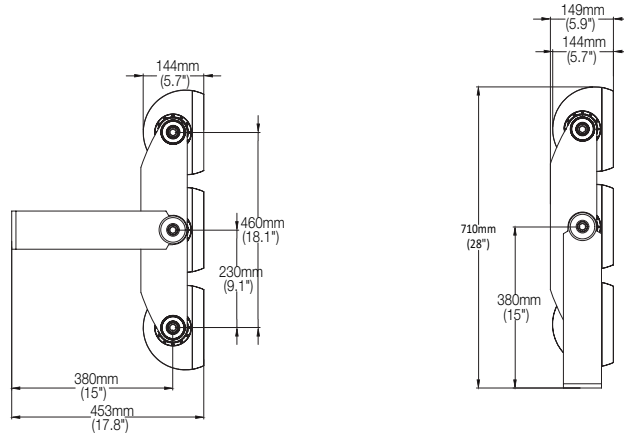
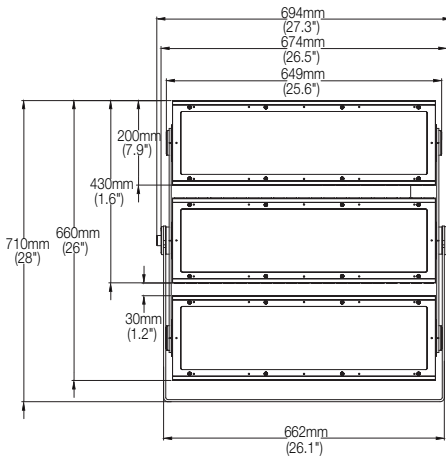
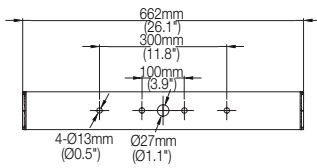
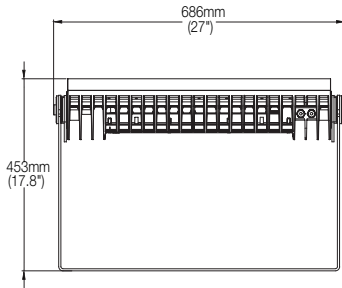
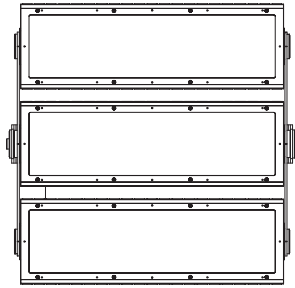
Our Brands

traxon e:cue

www.traxontechnologies.com  
www.osram.us/traxon

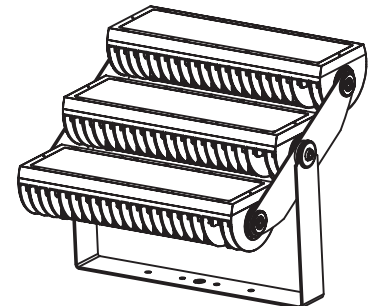
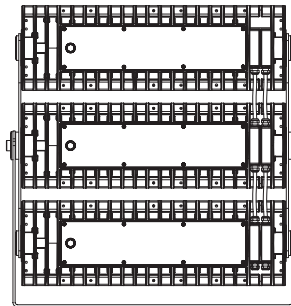
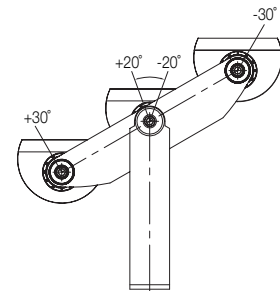
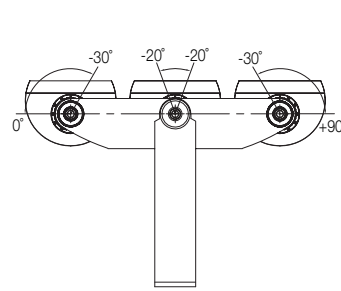
OSRAM

Dimensions - ProPoint Vista 3 x 100W



ProPoint Vista 100Wx3 open wire cable lengths

	Power input cable	Data in/out cable (combined)
Cable Length (open wire)	1830mm (72")	1830mm (72")
Cable Outer Diameter	7.8mm (0.31")	8.1mm (0.32")



Our Brands

traxon e:cue

www.traxontechnologies.com  
www.osram.us/traxon

OSRAM