



TRAXON



ProPoint™ Sconce

Grazing luminaire for exterior architectural features.








The ProPoint Sconce series is an AC line powered luminaire controllable via DMX512 with built in Remote Device Management (RDM), or also available in on/off for more simple installation where control is not required. The system is connected using a daisy chain topology with separate power and data cables for easy and cost efficient installation.

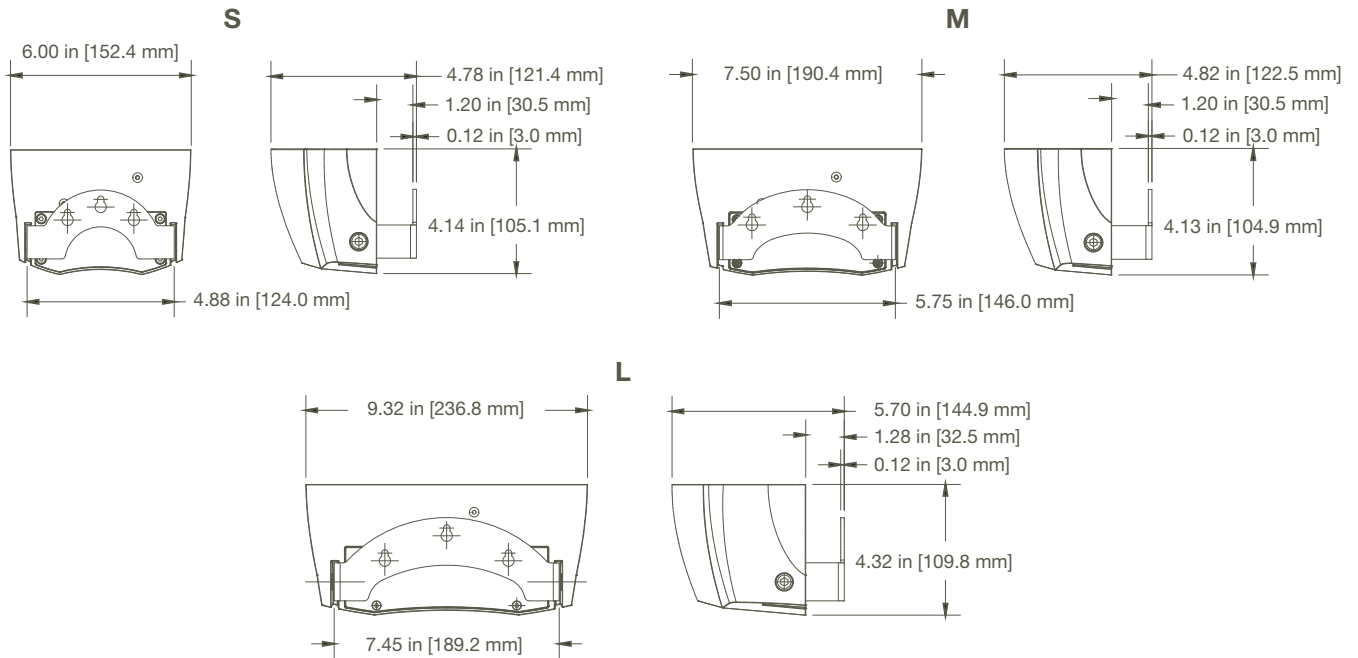
The ProPoint Sconce series offers a complete portfolio of solutions in 3000K and 4000K White and Red, Green, and Blue as standard options. Each is available in three sizes with a 10° x 5° beam angle that is designed to project the beam on the surface. Choose from our three standard finishes – Gray, Black, and White – or contact Traxon for your own custom RAL color.

Designed for form and function, the ProPoint Sconce series offers a tight, controlled grazing solution to exterior applications where the light source will be visible. The sleek design works in both traditional and contemporary architectural environments, and is ideal for façades looking to elegantly illuminate pathways, columns and other architectural features.

Technical Specifications & Options

	White		Red		Green		Blue	
COLOR	 3000K Warm White 4000K Neutral White							
TECHNICAL SPECIFICATIONS								
	LUMINOUS FLUX	EFFICACY	LUMINOUS FLUX	EFFICACY	LUMINOUS FLUX	EFFICACY	LUMINOUS FLUX	EFFICACY
S	280-299	31-33 lm/W	173	23 lm/W	210	23 lm/W	113	12 lm/W
M	463-520	35-39 lm/W	271	25 lm/W	343	25 lm/W	175	13 lm/W
L	815-879	36-39 lm/W	483	27 lm/W	590	26 lm/W	318	14 lm/W
BEAM ANGLE	10° x 5°							
ENVIRONMENT	 IP66 Suitable for Coastal Environment							
CERTIFICATIONS	cETLus, CE, FCC, RoHS, REACH, ASTM B117-16, ANSI 3G, IK08							
INPUT VOLTAGE	120-277V _{AC} 50/60Hz							
OPERATING TEMPERATURE	-30°C to +55°C / -22°F to +131°F							
POWER FACTOR	≥ 0.9							
CONTROL	DMX512 RDM Enabled or On/Off							

Dimensions



Body Finishes:



Gray (RAL 7015)



Black (RAL 9005)



White (RAL 9003)