



©Alan Roberts Photography

ProPoint™ Linear

Slim profile, flexible exterior graze LED lighting solution

The ProPoint Linear series is an AC line powered, slim profile, exterior graze luminaire. The luminaire is controllable via DMX512 with Remote Device Management (RDM) circuits built into each luminaire. This enables precise control and monitoring over the entire installation. The system is connected using a daisy chain topology via a single cable and data/power injector box; this maximizes run lengths while minimizing feed locations.



ProPoint Linear offers a complete portfolio of solutions including RGBW, Dynamic White, Static White, and single saturated colors. High Output (12W/foot) and Standard Output (8W/foot) provide powerful illumination and energy efficiency. Standard optics choices are 15°, 25°, 35°, and 50°x30°. RGBW comes in full color RGB plus a 4000K white for color changing effects. Dynamic White comes in a full range of white, 2200K to 6500K. Static White + Color comes in 3000K and 4000K standard. All are available in three standard finishes – Gray, Black and White – or contact Traxon for a custom finish RAL.

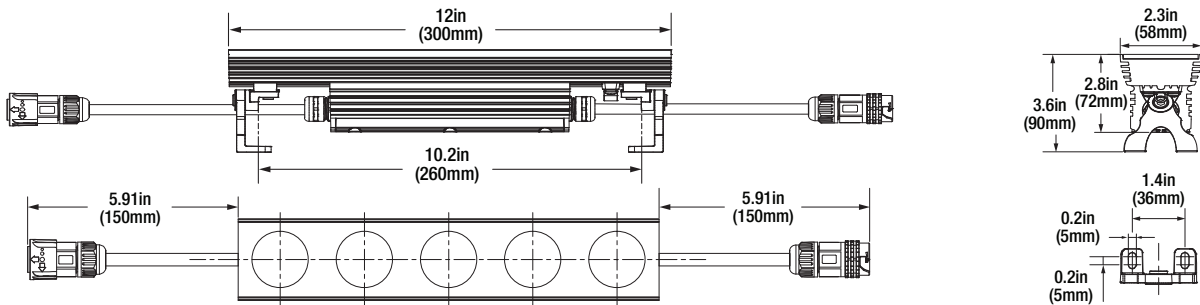
Traxon's ProPoint Linear series provides best in class Façade and Wall grazing with even color mixing across the entire surface (no rainbow effects). Linear was designed to offer outstanding brightness and is equipped to create complex media effects.

Technical Specifications & Options

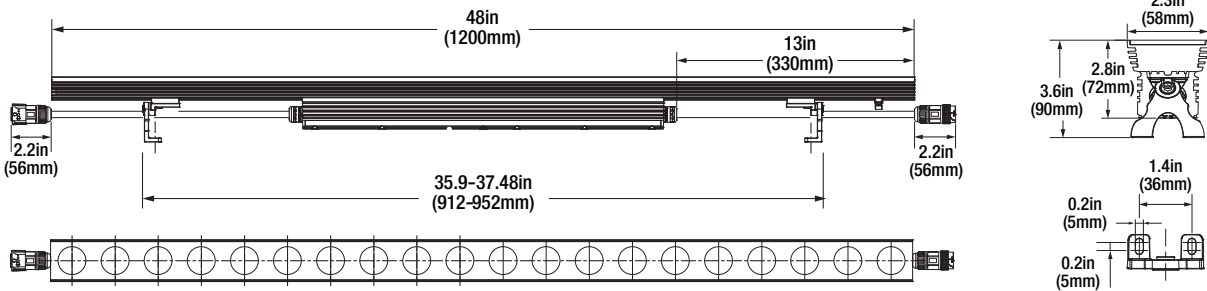
	RGBW		Dynamic White		Static White	
COLOR						
TECHNICAL SPECIFICATIONS						
	LUMINOUS FLUX	EFFICACY	LUMINOUS FLUX	EFFICACY	LUMINOUS FLUX	EFFICACY
SO ²	332-1,275	41 lm/W-43 lm/W	399-1,590	50 lm/W-51 lm/W	661-2751 719-2906	82 lm/W-93 lm/W
HO ²	493-2,096	42 lm/W-45 lm/W	681-2,460	53 lm/W	970-3982 1,157-4740	76 lm/W-96 lm/W
BEAM ANGLE						
ENVIRONMENT						
CERTIFICATIONS	cETLus, FCC, RoHS, ASTM B117-16, ANSI 3G, IK08					
INPUT VOLTAGE	100-277V _{AC} 50/60Hz					
OPERATING TEMPERATURE	-30°C to +55°C / -22°F to +131°F					
POWER FACTOR	≥ 0.9					
CONTROL	DMX512, RDM Enabled					

1. No MOQ required. Please consult regional sales office for pricing and lead time.
2. @15°

ProPoint™ Linear 1'



ProPoint Linear 4'



Our Brands

traxon e:cue

www.traxontechnologies.com
www.osram.us/traxon

OSRAM