



Project: _____

Type: _____

ProPoint Sconce S White + Color



The ProPoint Sconce White + Color is an AC Line powered luminaire. The ProPoint Sconce offers a tight, controlled grazing solution to exterior applications where the light source will be visible. The sleek design works in both traditional and contemporary architectural environments. Available in three sizes, with both white and color options. The daisy chain topology, and direct-wire nature of the fixture via the two integral cable whips allow for simple installation into existing installations and new structures.

This product is intended for use in high-quality colored light applications.



Product Specifications

| | | |
|---|--|--|
| Model | ProPoint Sconce S White / Color | |
| Light Source | 3 LED | |
| Light Source | 3000K / 4000K / Red / Green / Blue standard 2200K, 2700K, 3500K, 5000K, 6500K, Amber available ¹ | |
| Beam Angle | 10° x 5° | |
| Luminous Flux | 113 lm - 299 lm | |
| Efficacy | 12 lm/W - 33 lm/W | |
| Lumen Maintenance | L70 @25°C 81,000hrs | |
| Cover Lens | Tempered Glass | |
| Housing | Die Cast Aluminum | |
| Housing Finish Options | Gray (RAL7015), Black (RAL9005), White (RAL9003) | |
| Adjustment Options | 90° | |
| Dimensions | 152.4mm x 121.4mm x 105.2mm / 6" x 4.78" x 4.14" | |
| Weight | 1.36 kg / 3.00 lbs. | |
| EPA (sq.ft) | With standard bracket | Front: 0.3108 Side : 0.1566 Front 45° : 0.2778 |
| | With wall mount bracket | Front: 0.3303 Side : 0.1967 Front 45° : 0.3020 |
| Regulatory Listing & Safety Approval | CE, FCC, RoHS, REACH, ASTM B117-16, ANSI 3G, IK08 | |
| Operating Temperature | -30°C to +55°C / -22°F to +131°F | |
| Minimum Starting Temperature | -20°C / -4°F | |
| Storage Temperature | -40°C to +80°C / -40°F to +176°F | |
| Environment | Outdoor (IP66), suitable for coastal environments | |
| Humidity | 85%, non-condensing | |

Electrical Specifications

| | |
|--------------------------|--------------------|
| Input Voltage | 120-277Vac 50/60Hz |
| Power Consumption | 9W Max. |
| Power Factor | ≥ 0.9 |

System Specifications

| | |
|---------------------|-------------------------------|
| Control | DMX512, RDM Enabled or On/Off |
| Power | AC Line |
| Power Supply | Integrated |

¹. No MOQ required. Please consult regional sales office for pricing and lead time.

LED CHARACTERISTICS Because LEDs are semiconductor devices, their performances are subject to inherent variability commonly found in semiconductor industry. To improve consistency in performance across the same product, LED manufacturers "sort" LEDs into bins according to different preset parameters, such as forward driving voltage, illumination, etc. Whereas binning is a sorting function, it is not a correction process. Inherent variability in the manufacturing process results always in different binning distributions according to different production lots. Traxon uses automatically binned LEDs on its products, thereby minimizing output variations within the model range.

As with all electronic devices, LED output degrades over time – a term called lumen depreciation. This also explains why it is nearly impossible to expect photometric performances of two LED products with different service life spans to be the same. The rate of LED degrade is a complicate function of many factors such as operating efficiency, duration of continuous operation, and more significantly, environmental conditions (ambient temperature for example). If allowed working under optimal operating temperature range and with good ventilation, LED devices enjoy long service lives over conventional light sources. When using/installing LED devices, care should be taken to ensure that the devices will operate within the operating conditions specified in respective product literature.

This product contains a light source of energy efficiency class G to Regulation (EU) No 2019/2015. Lumen measurement complies with LM-79-05 standard. Lumen maintenance is calculated based on LM-80 compliant measurement.



www.traxon-ecue.com



ProPoint Sconce S White + Color

Photometrics

Source Specifications

| | |
|------------|----------------|
| LED Source | 3 LED |
| Beam Angle | 10° x 5° |
| Cover Lens | Tempered Glass |

Candela Distribution

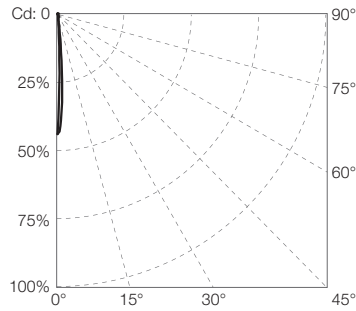
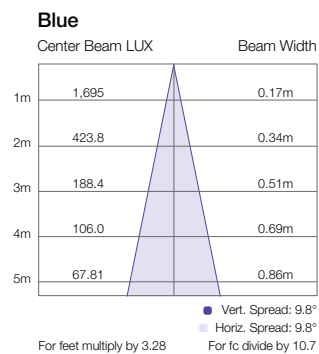
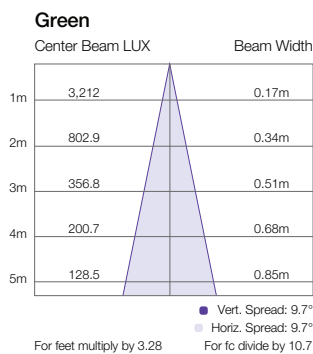
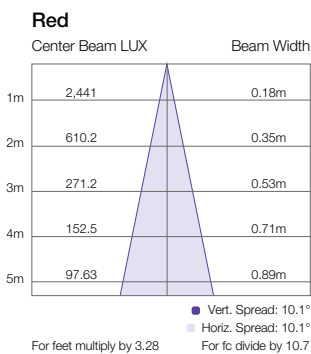
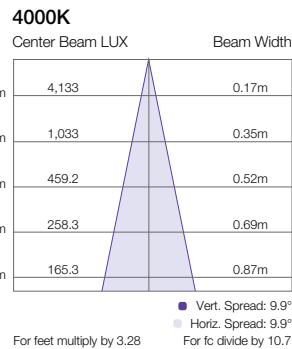
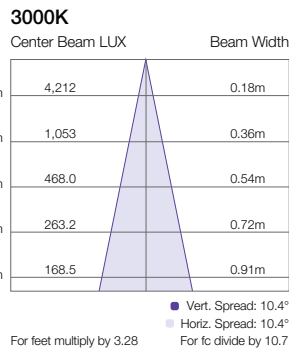


Diagram based on Sconce S 3000K 10° + 5°

Light Output

| Color | Luminous Flux (lm) | Candela Distribution @100% | Efficacy (lm/W) |
|-------|--------------------|----------------------------|-----------------|
| 3000K | 299.11 | 4,274.70 | 33.01 |
| 4000K | 280.5 | 4,195.70 | 31.22 |
| Red | 173.55 | 2,457.30 | 23.19 |
| Green | 210.12 | 3,205.00 | 22.91 |
| Blue | 113.27 | 1,677.04 | 12.54 |

Illuminance at a Distance

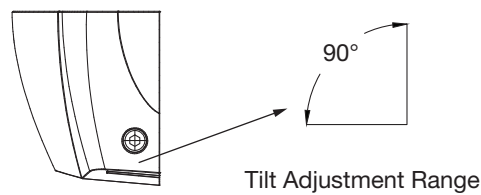
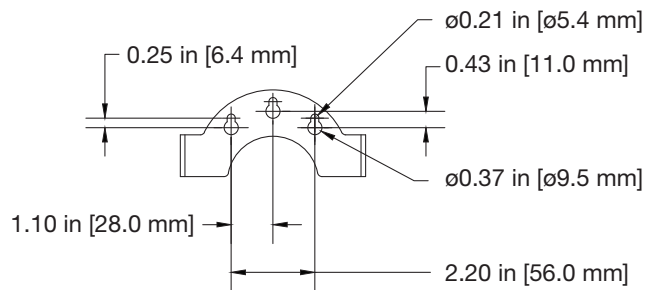
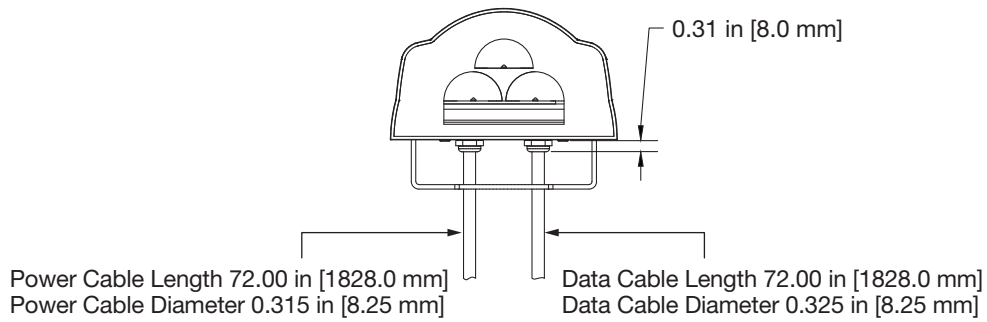
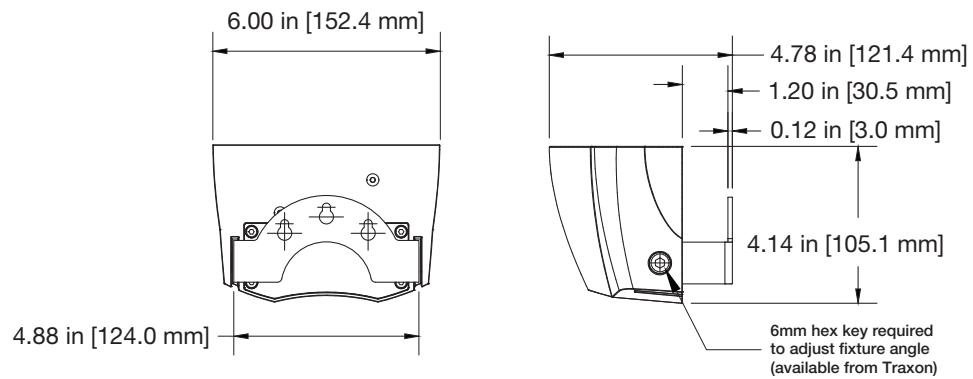




TRAXON

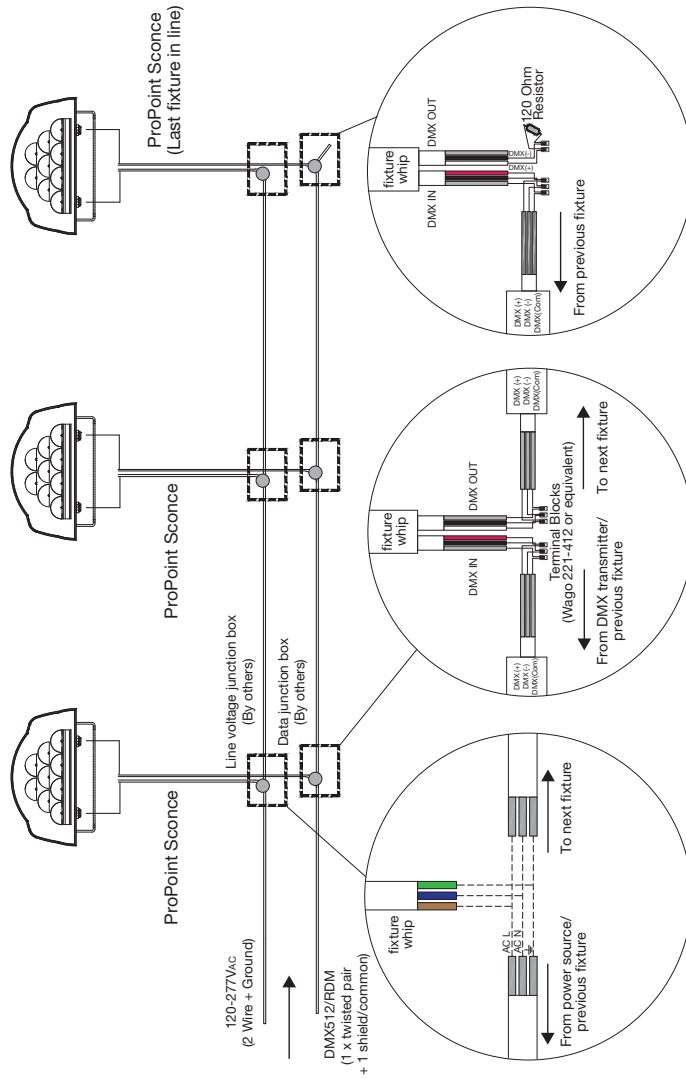
ProPoint Sconce S White + Color

Dimensions





- ProPoint Sconce fixtures ship with two cable whips: One cable whip for power input, consisting of two wires plus a ground, and one cable whip for DMX512 RDM input/output.
- No more than (32) fixtures on a single DMX512 link, max 300m total (source to last fixture).
- Each DMX512 link must be properly terminated to prevent signal reflections.
- Data cabling from DMX source to first fixture and between subsequent ProPoint Sconce fixtures shall be Cat5e UTP or higher (stranded type only) or other cable type suitable for DMX communication. Consult DMX standard for additional guidance.



General Notes

- All data cabling must adhere to ANSI E1.11-2008 (F2013) – Entertainment Technology – USITT DMX512-A, Asynchronous Serial Digital Data Transmission Standard for Controlling Lighting Equipment and Accessories.
- Fixture is RDM compatible.
- Fixtures allow a universal input of 120VAC to 277VAC.
- Data termination shall utilize cage clamp terminal blocks, or equivalent. Wire nuts are not permissible and will void warranty.
- The method of line voltage termination, both for data and power, is at the discretion of the installing contractor, and/or engineer. Splicing and/or joining of cables must adhere to all applicable electrical codes.
- Cables must be spliced/joined in a weatherproof enclosure/junction box, which is to be properly rated and provided by others.



ProPoint Sconce S White + Color

Ordering

Model Number

| | | | | | | | | | |
|----------|--------------|-------------|----------|-----------|-------------|-------------|----------|---|---|
| PP | . | S1 | . | X | X | X | 6 | 1 | X |
| ProPoint | Sconce S | Control | Color | CCT | Approbation | Optic | Finish | | |
| | S1: Sconce S | 9: DMX | 8: Blue | 0: No CCT | 6: CE | 1: 10° x 5° | 1: Gray | | |
| | | 7: On / Off | 7: Green | 3: 3000K | | | 2: Black | | |
| | | | 6: Red | 4: 4000K | | | 3: White | | |
| | | | 1: White | | | | | | |

Fixtures

| Model No. | Description | Item Code |
|--------------|-----------------------------------|-------------|
| PP.S1.913611 | ProPoint Sconce S 3000K | AM401190055 |
| PP.S1.914611 | ProPoint Sconce S 4000K | AM401200055 |
| PP.S1.960611 | ProPoint Sconce S Red | AM401180055 |
| PP.S1.970611 | ProPoint Sconce S Green | AM401170055 |
| PP.S1.980611 | ProPoint Sconce S Blue | AM401160055 |
| PP.S1.913612 | ProPoint Sconce S 3000K BL | AM401240055 |
| PP.S1.914612 | ProPoint Sconce S 4000K BL | AM401250055 |
| PP.S1.960612 | ProPoint Sconce S Red BL | AM401230055 |
| PP.S1.970612 | ProPoint Sconce S Green BL | AM401220055 |
| PP.S1.980612 | ProPoint Sconce S Blue BL | AM401210055 |
| PP.S1.913613 | ProPoint Sconce S 3000K WT | AM401290055 |
| PP.S1.914613 | ProPoint Sconce S 4000K WT | AM401300055 |
| PP.S1.960613 | ProPoint Sconce S Red WT | AM401280055 |
| PP.S1.970613 | ProPoint Sconce S Green WT | AM401270055 |
| PP.S1.980613 | ProPoint Sconce S Blue WT | AM401260055 |
| PP.S1.713611 | ProPoint Sconce S On/Off 3000K | AM401640055 |
| PP.S1.714611 | ProPoint Sconce S On/Off 4000K | AM401650055 |
| PP.S1.760611 | ProPoint Sconce S On/Off Red | AM401630055 |
| PP.S1.770611 | ProPoint Sconce S On/Off Green | AM401620055 |
| PP.S1.780611 | ProPoint Sconce S On/Off Blue | AM401610055 |
| PP.S1.713612 | ProPoint Sconce S On/Off 3000K BL | AM401690055 |
| PP.S1.714612 | ProPoint Sconce S On/Off 4000K BL | AM401700055 |
| PP.S1.760612 | ProPoint Sconce S On/Off Red BL | AM401680055 |
| PP.S1.770612 | ProPoint Sconce S On/Off Green BL | AM401670055 |
| PP.S1.780612 | ProPoint Sconce S On/Off Blue BL | AM401660055 |
| PP.S1.713613 | ProPoint Sconce S On/Off 3000K WT | AM401740055 |
| PP.S1.714613 | ProPoint Sconce S On/Off 4000K WT | AM401750055 |
| PP.S1.760613 | ProPoint Sconce S On/Off Red WT | AM401730055 |
| PP.S1.770613 | ProPoint Sconce S On/Off Green WT | AM401720055 |
| PP.S1.780613 | ProPoint Sconce S On/Off Blue WT | AM401710055 |



ProPoint Sconce S White + Color

Ordering

Accessories

| Model No. | Description | Item Code |
|--------------|--|-------------|
| PP.SC.120001 | ProPoint Sconce Mount Over JBox Bracket S | AM401790055 |
| PP.SC.220001 | ProPoint Sconce Mount Over JBox Bracket M | AM401780055 |
| PP.SC.320001 | ProPoint Sconce Mount Over JBox Bracket L | AM401770055 |
| PP.SC.120002 | ProPoint Sconce Mount Over JBox Bracket S BL | AM401820055 |
| PP.SC.220002 | ProPoint Sconce Mount Over JBox Bracket M BL | AM401810055 |
| PP.SC.320002 | ProPoint Sconce Mount Over JBox Bracket L BL | AM401800055 |
| PP.SC.120003 | ProPoint Sconce Mount Over JBox Bracket S WT | AM401850055 |
| PP.SC.220003 | ProPoint Sconce Mount Over JBox Bracket M WT | AM401840055 |
| PP.SC.320003 | ProPoint Sconce Mount Over JBox Bracket L WT | AM401830055 |