



TRAXON

Date: _____ Quantity: _____

Company: _____

Project: _____

Allegro Washer AC RGBA



The Allegro Washer AC RGBA is an intelligent, AC line powered high brightness luminaire family. The fixture is controllable via DMX512, and features 16.7 million additive RGB colors plus amber. The simplicity of the luminaire's topology means it can be simply daisy-chained to form long runs. Remote Device Management (RDM) circuits are built into each luminaire that enables extensive control and monitoring of the entire lighting installation. This product is intended for use in high-quality colored light applications.



Product Specifications

	50W	100W	150W	200W
Light Source	High power LEDs			
Color Range	RGBA			
Beam Angle	Native 5° with field-installable spread lens 10°, 30°, 55°, 80°			
Luminous Flux	1789-2080 lm	3578-4160 lm	5366-6240 lm	7155-8320 lm
Efficacy	42-49 lm/W typ.			
Lumen Maintenance	L70 @25°C - 80,000hrs			
Cover Lens	Tempered glass cover			
Housing	Aluminium, powder coating			
Adjustment Options	135° vertical tilt; ±180° horizontal			
Dimensions (Ø x H x D)	Ø235 x 317 x 203mm 9.3" x 13.5" x 8.0"	Ø310 x 395 x 252mm 12.2" x 15.6" x 9.9"	Ø392 x 476 x 264mm 15.4" x 18.7" x 10.4"	
Weight	7.8kg/17.2lb	13.9kg/30.6lb	17.8kg/39.2lb	18kg/39.7lb
Regulatory Listing & Safety Approval	CE, cETLus, IEC 60598-2-3, 3G ANSI C136.31 IK10	IK10	IK09	IK09
Operating Temperature	-30°C to +50°C / -22°F to +122°F (-20°C / -4°F starting)			
Storage Temperature	-40°C to +70°C / -40°F to +158°F			
Environment	Outdoor (IP66), suitable for coastal environments			
Humidity	85%, non-condensing			

Electrical Specifications

Input Voltage	120V - 277V AC nominal			
Power Consumption	50W	100W	150W	200W
Power Factor	≥ 0.9			

System Specifications

Power	AC line
Control	DMX512, Remote Device Management (RDM) DynaMood®: BinOne · BoostOne · BeamOne · AddressOne
Power Supply	Built-in
Fixture Interconnection	Refer to System Diagram

LED CHARACTERISTICS Because LEDs are semiconductor devices, their performances are subject to inherent variability commonly found in semiconductor industry. To improve consistency in performance across the same product, LED manufacturers "sort" LEDs into bins according to different preset parameters, such as forward driving voltage, illumination, etc. Whereas binning is a sorting function, it is not a correction process. Inherent variability in the manufacturing process results always in different binning distributions according to different production lots. Traxon uses automatically binned LEDs on its products, thereby minimizing output variations within the model range.

As with all electronic devices, LED output degrades over time – a term called lumen depreciation. This also explains why it is nearly impossible to expect photometric performances of two LED products with different service life spans to be the same. The rate of LED degrade is a complicate function of many factors such as operating efficiency, duration of continuous operation, and more significantly, environmental conditions (ambient temperature for example). If allowed working under optimal operating temperature range and with good ventilation, LED devices enjoy long service lives over conventional light sources. When using/installing LED devices, care should be taken to ensure that the devices will operate within the operating conditions specified in respective product literature.

Lumen measurement complies with LM-79-08 standard.
Lumen maintenance is calculated based on LM-80 compliant measurement.

www.traxon-ecue.com

©2023 TRAXON TECHNOLOGIES - AN OSRAM BUSINESS. ALL RIGHTS RESERVED. TRAXON™, TX CONNECT®, ARE TRADEMARKS OF TRAXON TECHNOLOGIES. U.S. PATENTS, E.U. PATENTS, JAPAN PATENTS, OTHER PATENTS PENDING. SPECIFICATIONS ARE SUBJECT TO CHANGE WITHOUT NOTICE.



TRAXON

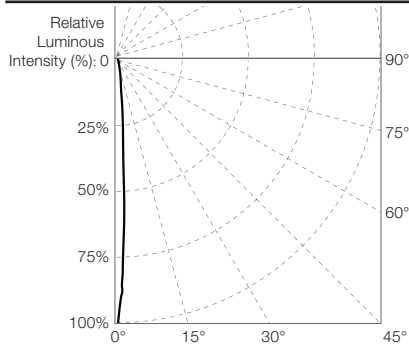
Allegro Washer AC RGBA

Photometrics

Source Specifications

Optics 5°

Candela Distribution



Light Output

Color	Luminous Flux (lm)	Candela Distribution at 100%	Efficacy (lm/W)
50W			
RGBA (full-on)	2080	130325	49
Amber (RGB off)	571	39924	58
RGB (on)	1627	100385	53
Red	445	34063	37
Green	1157	67874	66
Blue	68	1522	4
100W			
RGBA (full-on)	4160	260651	49
Amber (RGB off)	1142	79849	58
RGB (on)	3254	200770	53
Red	891	68125	37
Green	2315	135748	66
Blue	136	3044	4
150W			
RGBA (full-on)	6240	390976	49
Amber (RGB off)	1713	119773	58
RGB (on)	4881	301155	53
Red	1336	102188	37
Green	3472	203623	66
Blue	203	4565	4
200W			
RGBA (full-on)	8320	521301	49
Amber (RGB off)	2284	159698	58
RGB (on)	6508	401540	53
Red	1782	136250	37
Green	4629	271497	66
Blue	271	6087	4

Illuminance at a Distance

	Center beam Lux/klm	Beam width (m) H
10m	632	0.94m
20m	158	1.89m
30m	70	2.83m
40m	40	3.77m
50m	25	4.72m
60m	18	5.66m
70m	13	6.60m

■ Horiz. Spread: 5.4°
For feet multiply by 3.28

For fc divide by 10.7

IES and LDT files are available for download from the Traxon website.



TRAXON

www.traxon-ecue.com

©2023 TRAXON TECHNOLOGIES - AN OSRAM BUSINESS. ALL RIGHTS RESERVED. TRAXON™, TX CONNECT®, ARE TRADEMARKS OF TRAXON TECHNOLOGIES. U.S. PATENTS, E.U. PATENTS, JAPAN PATENTS, OTHER PATENTS PENDING. SPECIFICATIONS ARE SUBJECT TO CHANGE WITHOUT NOTICE.



TRAXON

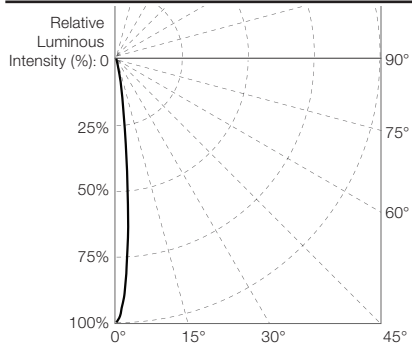
Allegro Washer AC RGBA

Photometrics

Source Specifications

Optics 10°

Candela Distribution



Light Output

Color	Luminous Flux (lm)	Candela Distribution at 100%	Efficacy (lm/W)
50W			
RGBA (full-on)	1851	44244	44
Amber (RGB off)	508	12250	52
RGB (on)	1448	34173	47
Red	396	9395	33
Green	1030	24204	59
Blue	60	1298	4
100W			
RGBA (full-on)	3702	88487	44
Amber (RGB off)	1017	24499	52
RGB (on)	2896	68346	47
Red	793	18789	33
Green	2060	48408	59
Blue	121	2595	4
150W			
RGBA (full-on)	5554	132731	44
Amber (RGB off)	1525	36749	52
RGB (on)	4344	102519	47
Red	1189	28184	33
Green	3090	72612	59
Blue	181	3893	4
200W			
RGBA (full-on)	7405	176975	44
Amber (RGB off)	2033	48999	52
RGB (on)	5792	136692	47
Red	1586	37578	33
Green	4120	96816	59
Blue	241	5191	4

Illuminance at a Distance

	Center beam Lux/klm	Beam width (m) H
10m	247	1.68m
20m	62	3.36m
30m	27	5.04m
40m	15	6.72m
50m	10	8.40m
60m	7	10.08m

● Horiz. Spread: 9.6°

For fc divide by 10.7

For feet multiply by 3.28

IES and LDT files are available for download from the Traxon website.



TRAXON

www.traxon-ecue.com

©2023 TRAXON TECHNOLOGIES - AN OSRAM BUSINESS. ALL RIGHTS RESERVED. TRAXON™, TX CONNECT®, ARE TRADEMARKS OF TRAXON TECHNOLOGIES. U.S. PATENTS, E.U. PATENTS, JAPAN PATENTS, OTHER PATENTS PENDING. SPECIFICATIONS ARE SUBJECT TO CHANGE WITHOUT NOTICE.



TRAXON

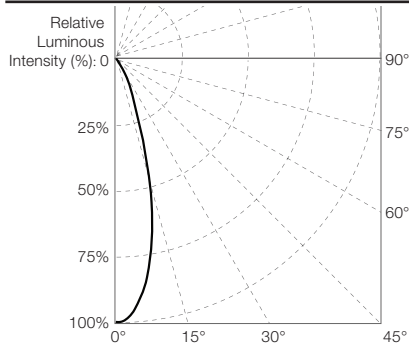
Allegro Washer AC RGBA

Photometrics

Source Specifications

Optics 30°

Candela Distribution



Light Output

Color	Luminous Flux (lm)	Candela Distribution at 100%	Efficacy (lm/W)
50W			
RGBA (full-on)	1851	5924	44
Amber (RGB off)	508	1677	52
RGB (on)	1448	4634	47
Red	396	1308	33
Green	1030	3296	59
Blue	60	181	4
100W			
RGBA (full-on)	3702	11848	44
Amber (RGB off)	1017	3355	52
RGB (on)	2896	9267	47
Red	793	2616	33
Green	2060	6592	59
Blue	121	362	4
150W			
RGBA (full-on)	5554	17772	44
Amber (RGB off)	1525	5032	52
RGB (on)	4344	13901	47
Red	1189	3924	33
Green	3090	9888	59
Blue	181	543	4
200W			
RGBA (full-on)	7405	23695	44
Amber (RGB off)	2033	6709	52
RGB (on)	5792	18535	47
Red	1586	5232	33
Green	4120	13184	59
Blue	241	724	4

Illuminance at a Distance

	Center beam Lux/klm	Beam width (m) H
9m	38	4.86m
18m	9	9.71m
27m	4	14.57m
36m	2	19.43m
45m	2	24.28m

● Horiz. Spread: 30.2°
For feet multiply by 3.28

For fc divide by 10.7

IES and LDT files are available for download from the Traxon website.



TRAXON

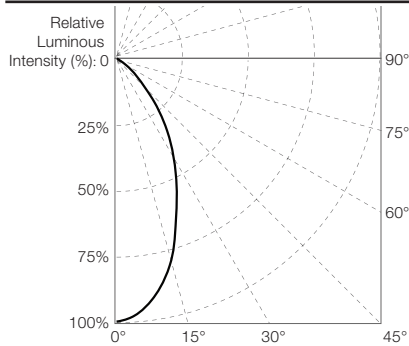
Allegro Washer AC RGBA

Photometrics

Source Specifications

Optics 55°

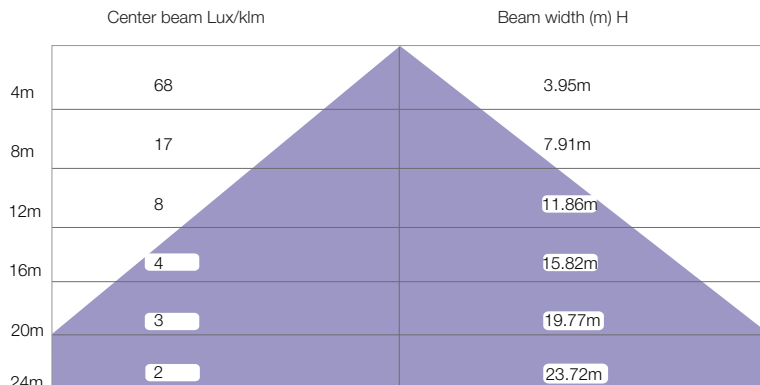
Candela Distribution



Light Output

Color	Luminous Flux (lm)	Candela Distribution at 100%	Efficacy (lm/W)
50W			
RGBA (full-on)	1851	2018	44
Amber (RGB off)	508	554	52
RGB (on)	1448	1578	47
Red	396	432	33
Green	1030	1123	59
Blue	60	62	4
100W			
RGBA (full-on)	3702	4036	44
Amber (RGB off)	1017	1108	52
RGB (on)	2896	3157	47
Red	793	864	33
Green	2060	2245	59
Blue	121	123	4
150W			
RGBA (full-on)	5554	6053	44
Amber (RGB off)	1525	1662	52
RGB (on)	4344	4735	47
Red	1189	1296	33
Green	3090	3368	59
Blue	181	185	4
200W			
RGBA (full-on)	7405	8071	44
Amber (RGB off)	2033	2216	52
RGB (on)	5792	6313	47
Red	1586	1728	33
Green	4120	4491	59
Blue	241	246	4

Illuminance at a Distance



● Horiz. Spread: 52.6°
For feet multiply by 3.28

For fc divide by 10.7

IES and LDT files are available for download from the Traxon website.



TRAXON

www.traxon-ecue.com

©2023 TRAXON TECHNOLOGIES - AN OSRAM BUSINESS. ALL RIGHTS RESERVED. TRAXON™, TX CONNECT®, ARE TRADEMARKS OF TRAXON TECHNOLOGIES. U.S. PATENTS, E.U. PATENTS, JAPAN PATENTS, OTHER PATENTS PENDING. SPECIFICATIONS ARE SUBJECT TO CHANGE WITHOUT NOTICE.



TRAXON

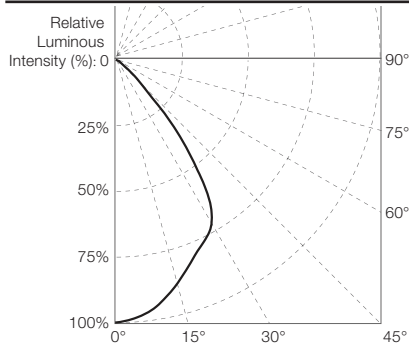
Allegro Washer AC RGBA

Photometrics

Source Specifications

Optics 80°

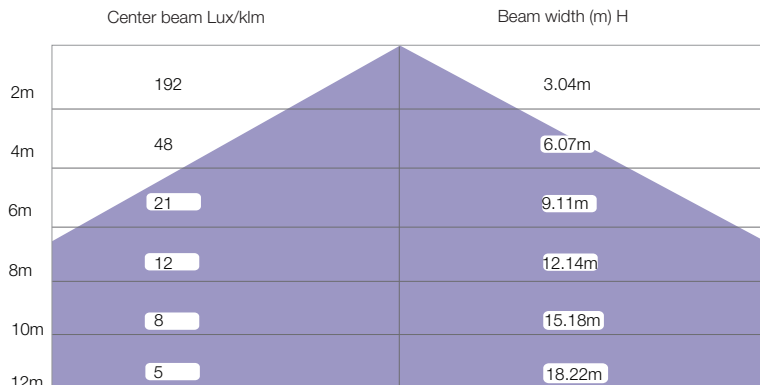
Candela Distribution



Light Output

Color	Luminous Flux (lm)	Candela Distribution at 100%	Efficacy (lm/W)
50W			
RGBA (full-on)	1789	1359	42
Amber (RGB off)	491	373	50
RGB (on)	1399	1063	46
Red	383	291	32
Green	995	756	57
Blue	58	41	3
100W			
RGBA (full-on)	3578	2719	42
Amber (RGB off)	982	747	50
RGB (on)	2798	2127	46
Red	766	582	32
Green	1990	1513	57
Blue	117	83	3
150W			
RGBA (full-on)	5366	4078	42
Amber (RGB off)	1473	1120	50
RGB (on)	4198	3190	46
Red	1149	873	32
Green	2986	2269	57
Blue	175	124	3
200W			
RGBA (full-on)	7155	5438	42
Amber (RGB off)	1965	1493	50
RGB (on)	5597	4254	46
Red	1532	1164	32
Green	3981	3026	57
Blue	233	166	3

Illuminance at a Distance



● Horiz.Spread: 74.4°

For fc divide by 10.7

For feet multiply by 3.28

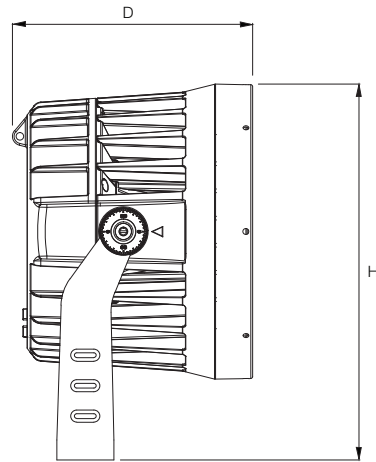
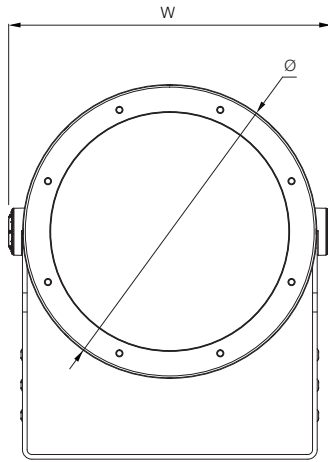
IES and LDT files are available for download from the Traxon website.



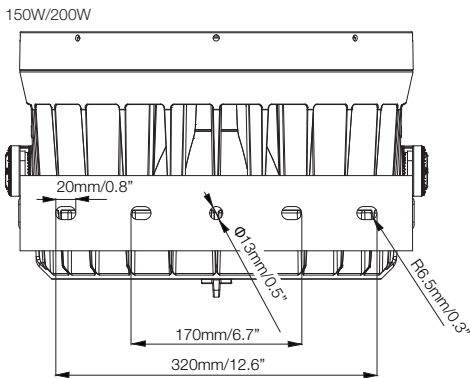
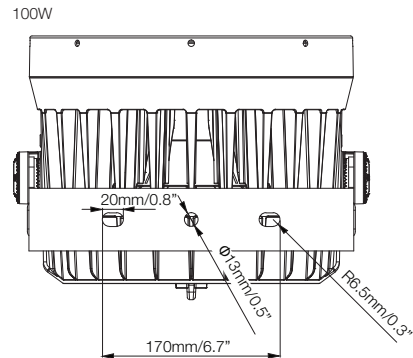
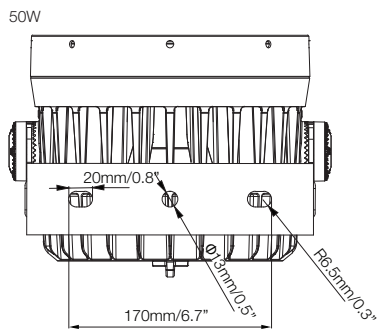
TRAXON

Allegro Washer AC RGBA

Dimensions



	50W	100W	150W/200W
Ø	235mm/9.3"	310mm/12.2"	392mm/15.4"
W	270mm/10.6"	340mm/13.4"	420mm/16.5"
H	317mm/12.5"	395mm/15.6"	476mm/18.7"
D	203mm/8.0"	252mm/9.9"	264mm/10.4"



www.traxon-ecue.com

©2023 TRAXON TECHNOLOGIES - AN OSRAM BUSINESS. ALL RIGHTS RESERVED. TRAXON™, TX CONNECT®, ARE TRADEMARKS OF TRAXON TECHNOLOGIES. U.S. PATENTS, E.U. PATENTS, JAPAN PATENTS, OTHER PATENTS PENDING. SPECIFICATIONS ARE SUBJECT TO CHANGE WITHOUT NOTICE.

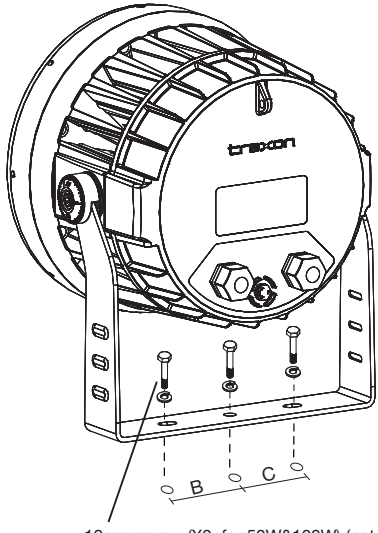


TRAXON

Allegro Washer AC RGBA

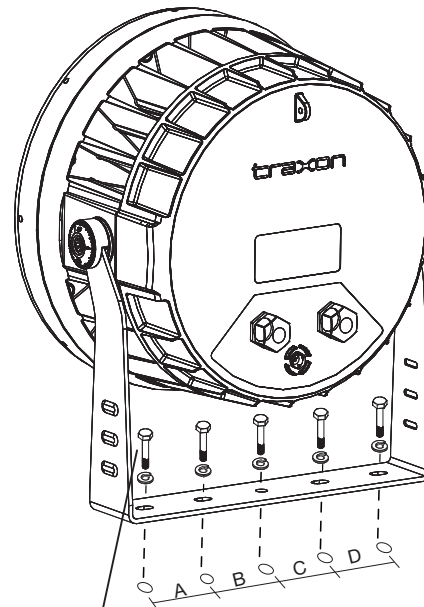
Mounting

50W&100W



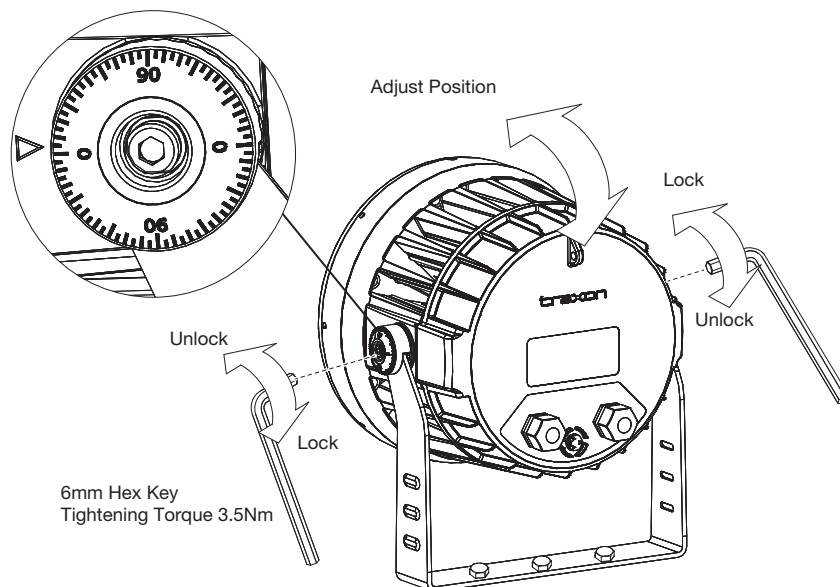
12mm screw (X3, for 50W&100W) (not included)

150W&200W



12mm screw (X5, for 150W/200W) (not included)

Dimension	A	B	C	D
50W		75mm/2.95"	75mm/2.95"	
100W		75mm/2.95"	75mm/2.95"	
150W	75mm/2.95"	75mm/2.95"	75mm/2.95"	75mm/2.95"
200W	75mm/2.95"	75mm/2.95"	75mm/2.95"	75mm/2.95"



6mm Hex Key
Tightening Torque 3.5Nm

⚠ Only turn enough to unlock
Do not unscrew the hex screw from fixture

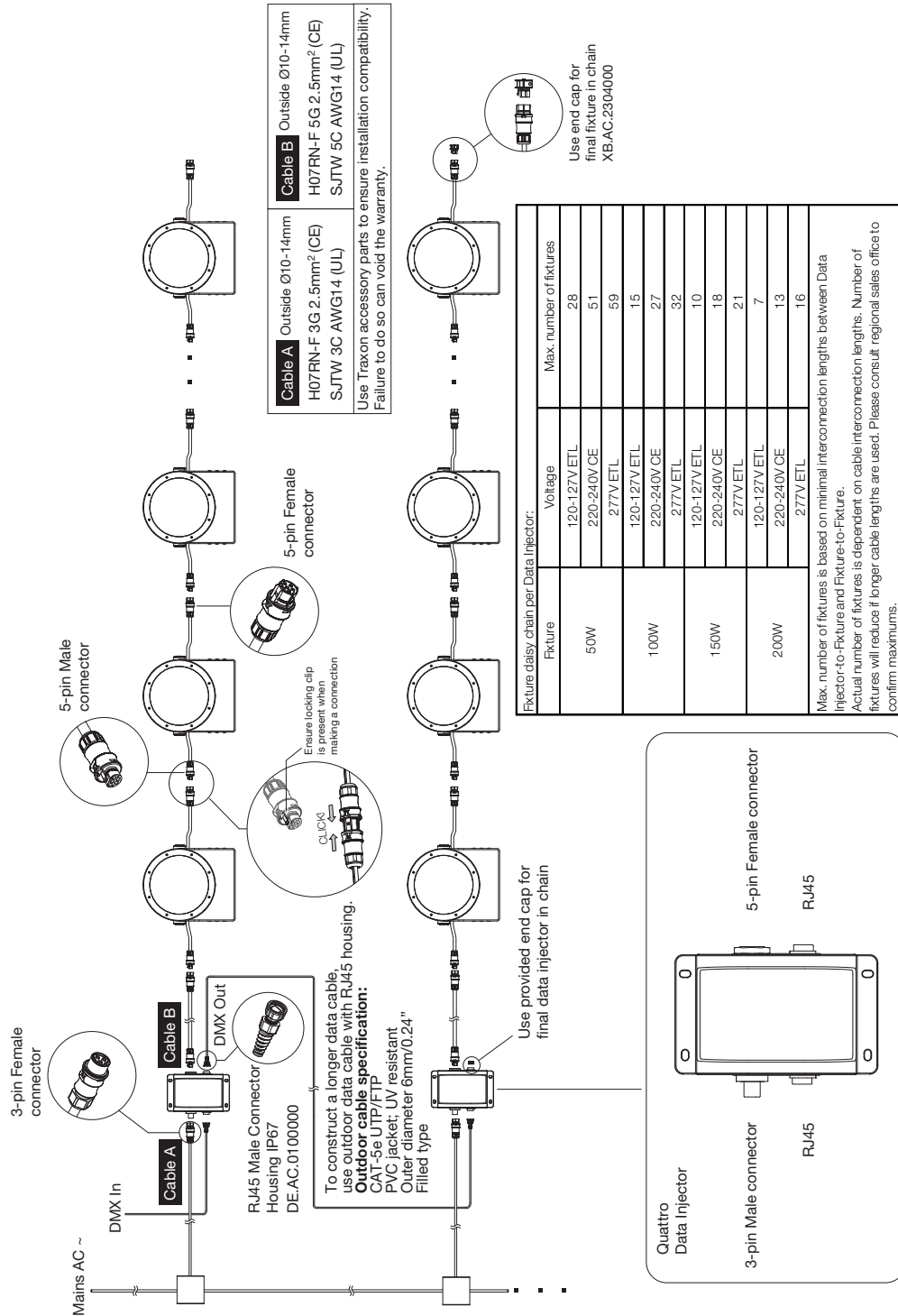
⚠ 1. Tilt the head slightly to mount the bracket.
Only turn enough to unlock.
2. Do not unscrew the hex screw from fixture.



TRAXON

Allegro Washer AC RGBA

System Diagram





TRAXON

Allegro Washer AC RGBA

Ordering

Luminaire CE Models

Model No.	Description	Item Code
XB.W6.83B0120	ALLEGRO WASHER AC 50W RGBA 5deg CE 220-240V AC	AM348370055
XB.W7.83B0120	ALLEGRO WASHER AC 100W RGBA 5deg CE 220-240V AC	AM348380055
XB.W8.83B0120	ALLEGRO WASHER AC 150W RGBA 5deg CE 220-240V AC	AM348390055
XB.W9.83B0120	ALLEGRO WASHER AC 200W RGBA 5deg CE 220-240V AC	AM348410055

Field-Installable Spread Lens

Model No.	Description	Item Code
N/A	ALLEGRO WASHER 10X10deg SPREAD LENS for 50W	AM331630055
N/A	ALLEGRO WASHER 30X30deg SPREAD LENS for 50W	AM331640055
N/A	ALLEGRO WASHER 55X55deg SPREAD LENS for 50W	AM331650055
N/A	ALLEGRO WASHER 80X80deg SPREAD LENS for 50W	AM331660055
N/A	ALLEGRO WASHER 60X10deg SPREAD LENS for 50W	AM331680055
N/A	ALLEGRO WASHER 60X30deg SPREAD LENS for 50W	AM331690055
N/A	ALLEGRO WASHER 10X10deg SPREAD LENS for 100W	AM331700055
N/A	ALLEGRO WASHER 30X30deg SPREAD LENS for 100W	AM331710055
N/A	ALLEGRO WASHER 55X55deg SPREAD LENS for 100W	AM331720055
N/A	ALLEGRO WASHER 80X80deg SPREAD LENS for 100W	AM331780055
N/A	ALLEGRO WASHER 60X10deg SPREAD LENS for 100W	AM331790055
N/A	ALLEGRO WASHER 60X30deg SPREAD LENS for 100W	AM331800055
N/A	ALLEGRO WASHER 10X10deg SPREAD LENS for 150W/200W	AM331820055
N/A	ALLEGRO WASHER 30X30deg SPREAD LENS for 150W/200W	AM331830055
N/A	ALLEGRO WASHER 55X55deg SPREAD LENS for 150W/200W	AM331840055
N/A	ALLEGRO WASHER 80X80deg SPREAD LENS for 150W/200W	AM331850055
N/A	ALLEGRO WASHER 60X10deg SPREAD LENS for 150W/200W	AM331860055
N/A	ALLEGRO WASHER 60X30deg SPREAD LENS for 150W/200W	AM331870055

CE Accessories

Model No.	Description	Item Code
XB.AC.4000000	QUATTRO AC XB DATA INJECTOR 100-277V ETL / CE	AB389160055
XE.ID.0204000	AC XB Interconnection Cable, 5-wire, 2.5mm ² , CE (2m)	AB389130055
XE.ID.0074000	AC XB Interconnection Cable, 5-wire, 2.5mm ² , CE (0.7m)	AB389100055
XE.IF.0104000	AC XB Power Cable, 3-wire, 2.5mm ² , CE (1m)	AB389060055
XB.AC.4006000	3-pin Field Installable AC Connector Socket IP66	AB389040035
XB.AC.2302000	5-pin Field Installable AC Connector Plug IP66	AA438580235
XB.AC.2303000	5-pin Field Installable AC Connector Socket IP66	AA438570235
XB.AC.2304000	5-pin Connector Socket End Cap IP66	AA508870335



TRAXON

www.traxon-ecue.com

©2023 TRAXON TECHNOLOGIES - AN OSRAM BUSINESS. ALL RIGHTS RESERVED. TRAXON™, TX CONNECT®, ARE TRADEMARKS OF TRAXON TECHNOLOGIES. U.S. PATENTS, E.U. PATENTS, JAPAN PATENTS, OTHER PATENTS PENDING. SPECIFICATIONS ARE SUBJECT TO CHANGE WITHOUT NOTICE.



Allegro Washer AC RGBA

Ordering

Luminaire ETL Models

Model No.	Description	Item Code
XB.W6.83B0110	ALLEGRO WASHER AC 50W RGBA 5deg ETL 120/277V AC	AM348420055
XB.W7.83B0110	ALLEGRO WASHER AC 100W RGBA 5deg ETL 120/277V AC	AM348430055
XB.W8.83B0110	ALLEGRO WASHER AC 150W RGBA 5deg ETL 120/277V AC	AM348440055
XB.W9.83B0110	ALLEGRO WASHER AC 200W RGBA 5deg ETL 120/277V AC	AM348450055

Field-Installable Spread Lens

Model No.	Description	Item Code
N/A	ALLEGRO WASHER 10X10deg SPREAD LENS for 50W	AM331630055
N/A	ALLEGRO WASHER 30X30deg SPREAD LENS for 50W	AM331640055
N/A	ALLEGRO WASHER 55X55deg SPREAD LENS for 50W	AM331650055
N/A	ALLEGRO WASHER 80X80deg SPREAD LENS for 50W	AM331660055
N/A	ALLEGRO WASHER 60X10deg SPREAD LENS for 50W	AM331680055
N/A	ALLEGRO WASHER 60X30deg SPREAD LENS for 50W	AM331690055
N/A	ALLEGRO WASHER 10X10deg SPREAD LENS for 100W	AM331700055
N/A	ALLEGRO WASHER 30X30deg SPREAD LENS for 100W	AM331710055
N/A	ALLEGRO WASHER 55X55deg SPREAD LENS for 100W	AM331720055
N/A	ALLEGRO WASHER 80X80deg SPREAD LENS for 100W	AM331780055
N/A	ALLEGRO WASHER 60X10deg SPREAD LENS for 100W	AM331790055
N/A	ALLEGRO WASHER 60X30deg SPREAD LENS for 100W	AM331800055
N/A	ALLEGRO WASHER 10X10deg SPREAD LENS for 150W/200W	AM331820055
N/A	ALLEGRO WASHER 30X30deg SPREAD LENS for 150W/200W	AM331830055
N/A	ALLEGRO WASHER 55X55deg SPREAD LENS for 150W/200W	AM331840055
N/A	ALLEGRO WASHER 80X80deg SPREAD LENS for 150W/200W	AM331850055
N/A	ALLEGRO WASHER 60X10deg SPREAD LENS for 150W/200W	AM331860055
N/A	ALLEGRO WASHER 60X30deg SPREAD LENS for 150W/200W	AM331870055

ETL Accessories

Model No.	Description	Item Code
XB.AC.4000000	QUATTRO AC XB DATA INJECTOR 100-277V ETL / CE	AB389160055
XB.AC.2302000	5-pin Field Installable AC Connector Plug IP66	AA438580235
XB.AC.2303000	5-pin Field Installable AC Connector Socket IP66	AA438570235
XB.AC.3106000	3-pin Field Installable AC Connector Socket IP66	AA792890035
	XB 5C-AWG14 CABLE AC US 10M/32.8ft	AA639240054
	XB 5C-AWG14 CABLE AC US 50M/164ft	AA639250054
	XB 5C-AWG14 CABLE AC US 100M/328ft	AA569430155
	XB 3C-AWG14 CABLE AC US 10M/32.8ft	AA639270054
	XB 3C-AWG14 CABLE AC US 50M/164ft	AA639260054
	XB 3C-AWG14 CABLE AC US 100M/328ft	AA556630155
DE.AC.0100000	RJ45 Male Connector Housing IP67	AA556100155
XB.AC.2304000	5-pin Connector Socket End Cap IP66	AA508870335