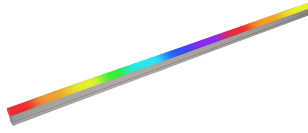




Project: _____

Type: _____

Allegro Media Tube® Lite RGB



Allegro Media Tube® Lite fits into any wall, façade or media lighting application with tight installation requirements, while the wide beam angle output and 10-pixels-per-meter ensures a smooth illumination experience. Featuring auto addressing and quick lock connectivity, this greatly simplifies the lighting installation for building façades, media applications, bridges and more.

This product is intended for use in high-quality colored light applications.



Product Specifications

	Direct View			Diffused View		
	300mm	500mm	1000mm	300mm	500mm	1000mm
Light Source	18 RGB	30 RGB	60 RGB	18 RGB	30 RGB	60 RGB
Color Range	16.7 Million additive RGB colors					
Beam Angle	90°			115°x170°		
Luminous Flux	92 lm	164 lm	334 lm	91 lm	160 lm	341 lm
Efficacy	23.9 lm/W			24.4 lm/W		
Pixel Pitch	100mm					
Pixel Configuration	6 RGB LEDs per pixel			6 RGB LEDs per pixel		
Number of Pixel	3 pixels	5 pixels	10 pixels	3 pixels	5 pixels	10 pixels
Housing	Extruded Aluminum					
Cover Lens	Clear Glass			PC		
Adjustment Options	Fixed, non-adjustable					
Dimensions (W x H)	24 x 26mm, 32.6 x 54mm (mounting bracket included)			24 x 40mm, 32.6 x 68mm (mounting bracket included)		
Dimensions (L)	300mm	500mm	1000mm	300mm	500mm	1000mm
Weight	0.35kg	0.52kg	0.85kg	0.35kg	0.52kg	0.85kg
Regulatory Listing & Safety Approval	CE					
Operating Temperature	-40°C to +50°C / -40°F to +122°F					
Storage Temperature	-40°C to +70°C / -40°F to +158°F					
Environment	Outdoor, IP66, IK08 (Diffused View)					
Humidity	10-90%, non-condensing					

Electrical Specifications

Operating Voltage	48V DC
Power Consumption	4.2W / 7W / 14W

System Specifications

Control	DMX512
Power Supply	LED Engine 48V Outdoor
Addressing Options	Auto-addressing per daisy-chain
Fixture Interconnection	17 meters

LED CHARACTERISTICS Because LEDs are semiconductor devices, their performances are subject to inherent variability commonly found in semiconductor industry. To improve consistency in performance across the same product, LED manufacturers "sort" LEDs into bins according to different preset parameters, such as forward driving voltage, illumination, etc. Whereas binning is a sorting function, it is not a correction process. Inherent variability in the manufacturing process results always in different binning distributions according to different production lots. Traxon uses automatically binned LEDs on its products, thereby minimizing output variations within the model range.

As with all electronic devices, LED output degrades over time – a term called lumen depreciation. This also explains why it is nearly impossible to expect photometric performances of two LED products with different service life spans to be the same. The rate of LED degrade is a complicate function of many factors such as operating efficiency, duration of continuous operation, and more significantly, environmental conditions (ambient temperature for example). If allowed working under optimal operating temperature range and with good ventilation, LED devices enjoy long service lives over conventional light sources. When using/installing LED devices, care should be taken to ensure that the devices will operate within the operating conditions specified in respective product literature.

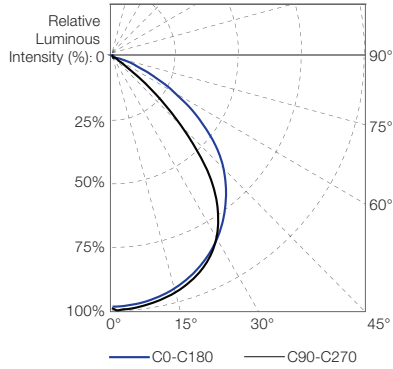
This product contains a light source of energy efficiency class G to Regulation (EU) No 2019/2015. Lumen measurement complies with LM-79-05 standard. Lumen maintenance is calculated based on LM-80 compliant measurement.



www.traxon-ecue.com

©2023 TRAXON TECHNOLOGIES - AN OSRAM BUSINESS. ALL RIGHTS RESERVED. TRAXON™, TX CONNECT®, ARE TRADEMARKS OF TRAXON TECHNOLOGIES. U.S. PATENTS, E.U. PATENTS, JAPAN PATENTS, OTHER PATENTS PENDING. SPECIFICATIONS ARE SUBJECT TO CHANGE WITHOUT NOTICE.

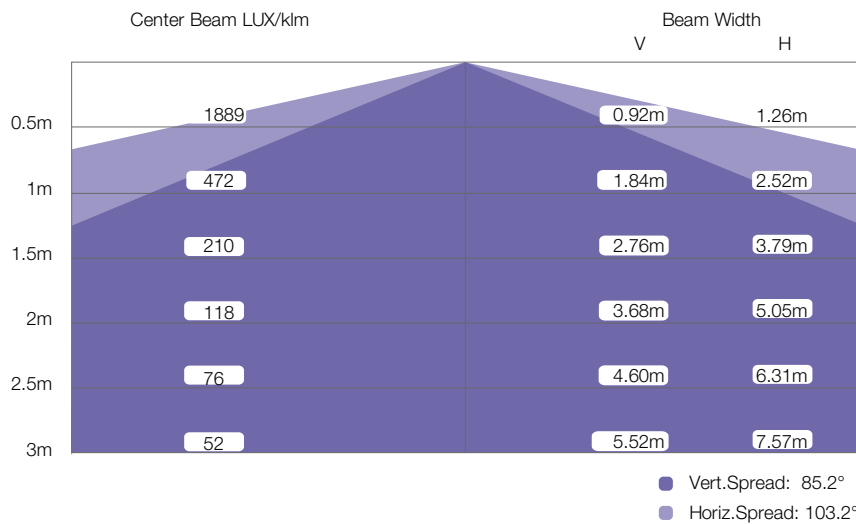
Candela Distribution (Direct View)



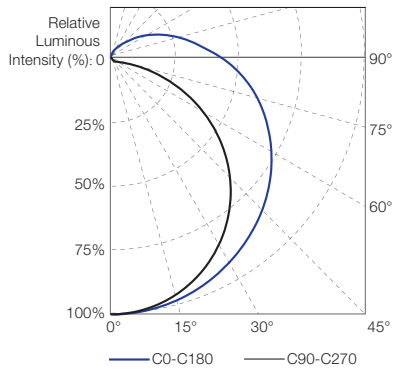
Light Output

Color	Luminous Flux (lm)
300	
RGB	92 lm
Red	28 lm
Green	58.6 lm
Blue	9.5 lm
500	
RGB	164 lm
Red	51 lm
Green	100.9 lm
Blue	19.2 lm
1000	
RGB	334 lm
Red	100.6 lm
Green	210.3 lm
Blue	31.2 lm

Illuminance at a Distance



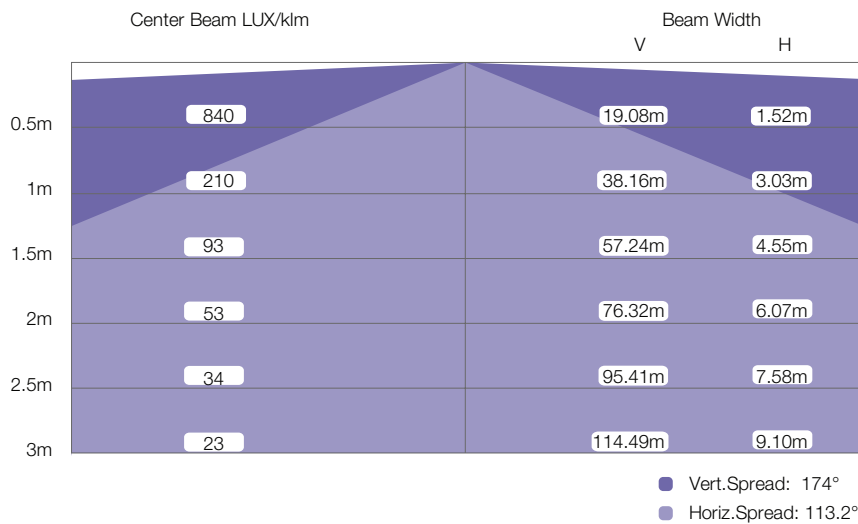
Candela Distribution (Direct View)



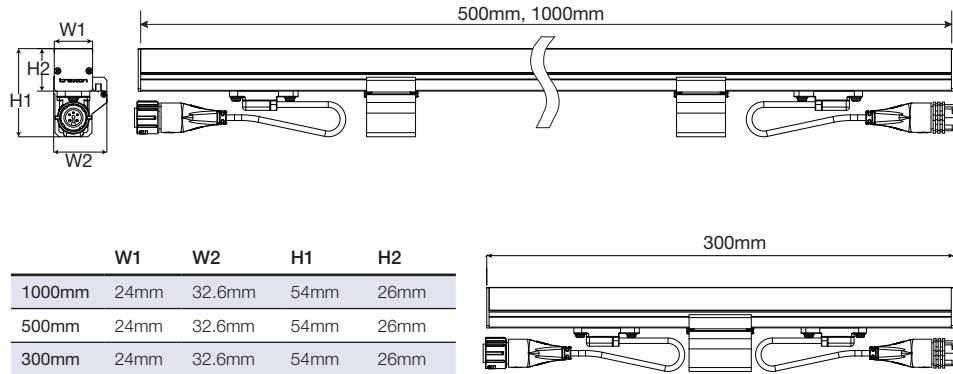
Light Output

Color	Luminous Flux (lm)
300	
RGB	91 lm
Red	30.9 lm
Green	56 lm
Blue	9.5 lm
500	
RGB	160 lm
Red	51.2 lm
Green	96.6 lm
Blue	14.9 lm
1000	
RGB	341 lm
Red	108.2 lm
Green	207.4 lm
Blue	32.9 lm

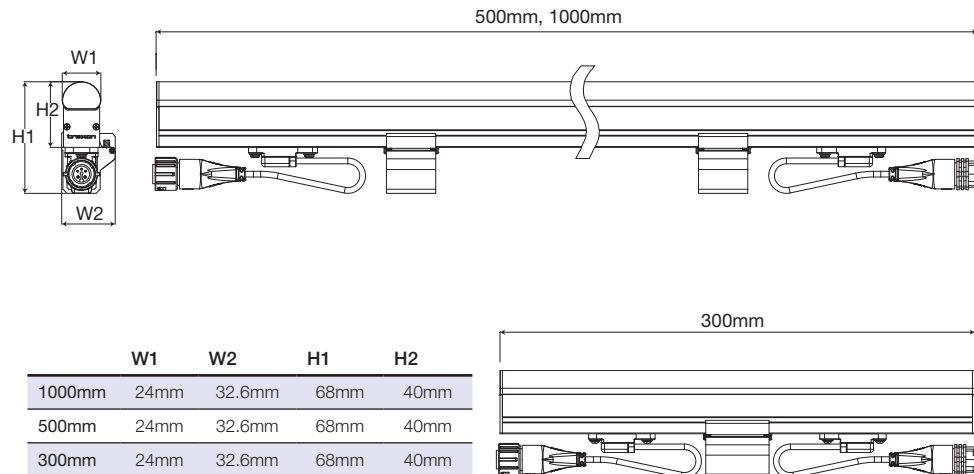
Illuminance at a Distance



Fixture Dimensions (Direct View)

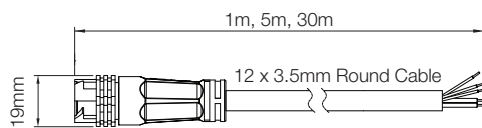


Fixture Dimensions (Diffused View)

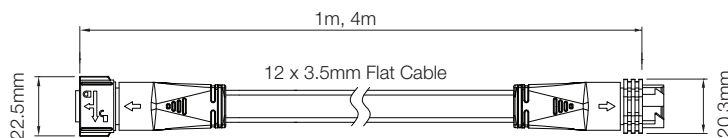


Accessories Dimensions

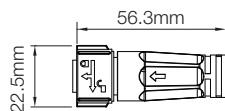
Starter Cable



Interconnection Cable

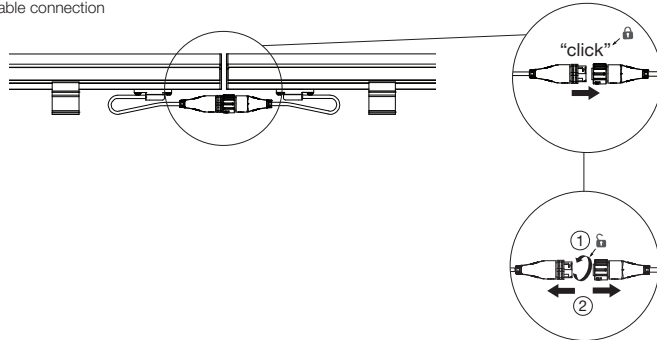


End Cap with 120 Ohm Terminator



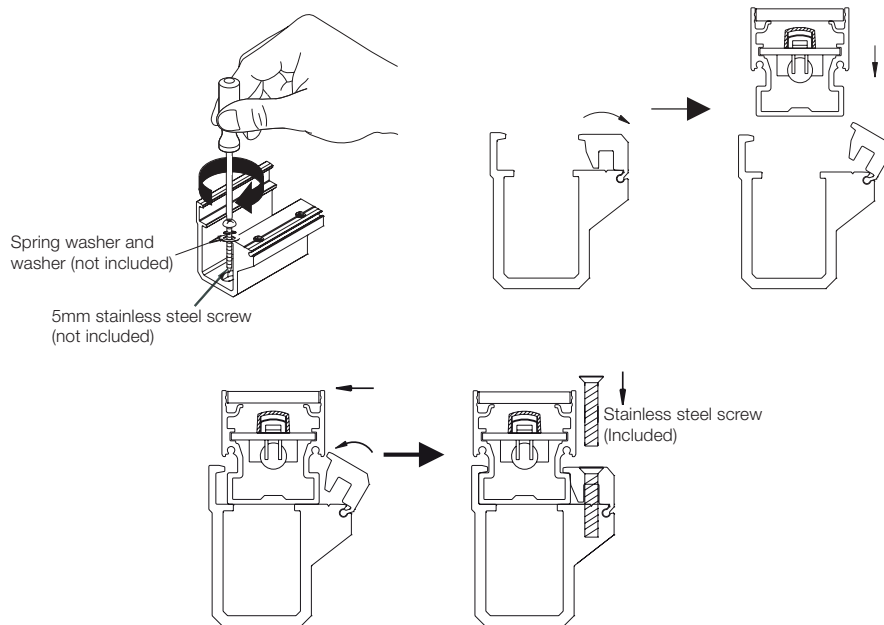
Cable Connection

Cable connection



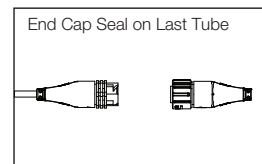
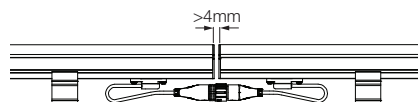
If you do not hear "click", rotate the spring loaded lock nut manually (in opposite direction to loosening) to ensure that the connectors are properly mated and tightened.

Bracket Mounting

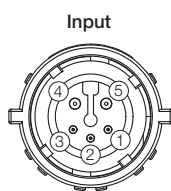


Tube-to-Tube Clearance

To maintain consistent LED pitch and to allow for thermal expansion for Tubes.

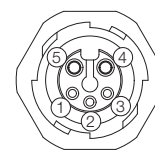


Connector Pin Assignment

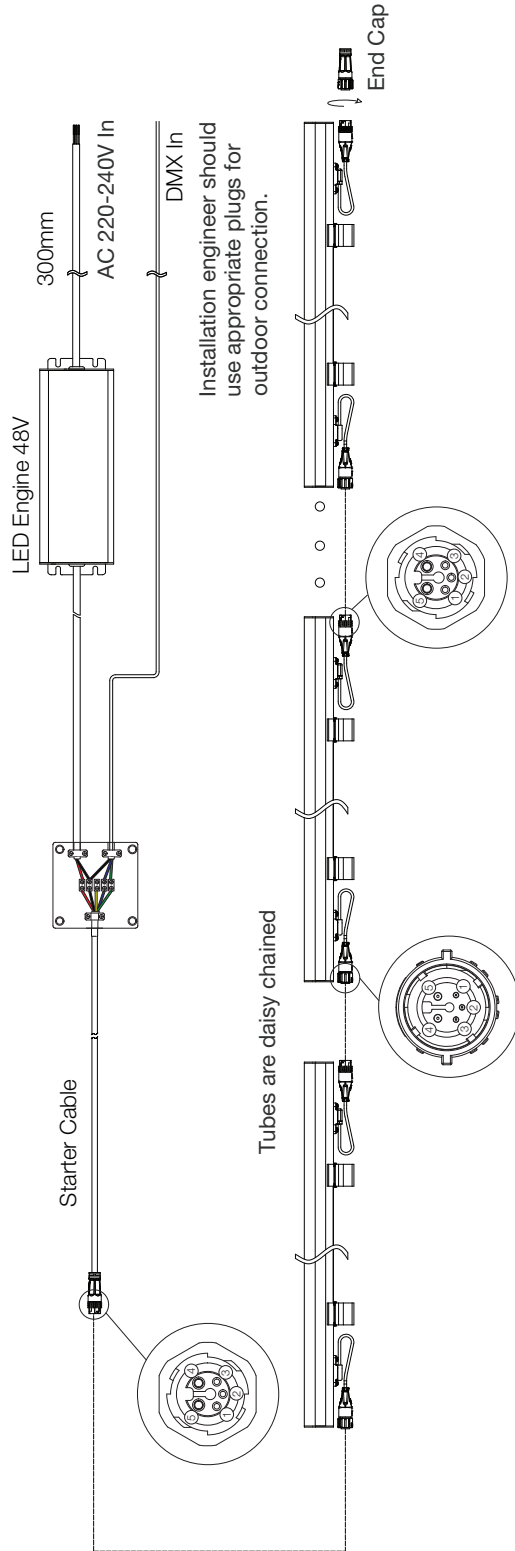


Wire#	Description	Color
1	DMX+	Green
2	Address	Yellow
3	DMX-	Blue
4	DC48V-	Black
5	DC48V+	Red

Output



System Diagram



Pin#	Signal	Wire Size	Color	Connection
5	DC48V+	1.0mm ²	Red	DC48V+
4	DC48V-	1.0mm ²	Black	DØ48V- and GND
1	DMX+	0.3mm ²	Green	DMX+
3	DMX-	0.3mm ²	Blue	DMX-
2	Address	0.3mm ²	Yellow	Do not connect

Color Type	Max. Daisy Chain	PSU Power
RGBW	12m	240W
RGB	17m	320W
DW	20m	320W

The Address wire only need to be connected during address configuration, it is not needed during operation. This wiring diagram shows only typical connections. Actual wiring depends on LED Tube configuration and installation. Actual no. vary according to cable lengths and signal source. Please consult your local Traxon office for aid.

Fixtures

Model No.	Description	Item Code
TU.AL.3210400	AL MT LT RGB 1000 10PXL DF R CE	AM424680055
TU.AL.2205400	AL MT LT RGB 500 5PXL DF R CE	AM424690055
TU.AL.1203400	AL MT LT RGB 300 3PXL DF R CE	AM424700055
TU.AL.3210300	AL MT LT RGB 1000 10PXL CR CE	AM424860055
TU.AL.2205300	AL MT LT RGB 500 5PXL CR CE	AM424870055
TU.AL.1203300	AL MT LT RGB 300 3PXL CR CE	AM424880055

TX Connect

Model No.	Description	Item Code
TU.AC.1200100	AL MT LT STARTER CABLE, 5-WIRE, 1M	AM410720055
TU.AC.1200200	AL MT LT STARTER CABLE, 5-WIRE, 5M	AM410730055
TU.AC.1200300	AL MT LT STARTER CABLE, 5-WIRE, 30M	AM410740055
TU.AC.1200500	AL MT LT INTER CABLE, 5-WIRE, 1M	AM410770055
TU.AC.1200600	AL MT LT INTER CABLE, 5-WIRE, 4M	AM410780055
TU.AC.1200400	AL MT LT END CAP WITH 120Ω TERMINATOR	AM410750055

TX Control

Model No.	Description	Item Code
	LED ENGINE 240W 48V OUTDOOR	AM089330055
PS.CU.0000008	LED ENGINE 100W 48V OUTDOOR	AA766150055