



Project: _____

Type: _____



Allegro Dot XS White

Allegro Dot XS is the newest and smallest member of the intelligent Allegro Dot family which enables longer chains of illuminated Dots. The Allegro Dot XS is ideal for outdoor media applications, where it can be integrated seamlessly into the facade, or it can be installed to float in the air with our highly transparent mounting options.

Each system is driven by the PXL Distributor Pro 8 (PDP8) which integrates power and data into one unit, reducing the space required for installation components. Each PDP8 can support up to eight Allegro Dot XS outputs with e:net IN and OUT.



Product Specifications

Models	WW 2700K Clear	CW 6500K Clear	WW 2700K Diffused	CW 6500K Diffused
Number of Pixel	Max. 80 per string Max. 640 per system			
Light Source	1 White LED per dot			
CRI	>80 for White LED			
Luminous Flux ¹	25 lm	27 lm	21 lm	23 lm
Brightness ¹	9.00 cd	9.72 cd	4.06 cd	4.44 cd
Beam Angle	115°		175°	
Cover Lens	Clear UV Stable PC		Diffused Dome UV Stable PC	
LED Pitch	Standard 90mm / 3.5"; 50mm / 2" to 500mm / 19.7" with 80 Dots			
Housing	Polycarbonate			
Dimensions (W x L x H) ²	19mm x 41mm x 10.6mm / 0.7" x 1.6" x 0.4"			
Weight	796g / 28oz full string; 9.5g / 0.33oz single dot with 90mm / 3.5" cable		824g / 29oz full string; 9.8g / 0.34oz single dot with 90mm / 3.5" cable	
Regulatory Listing & Safety Approval	CE, UKCA, cETLus, RoHS, REACH			
Operating Temperature	-25°C to + 55°C (Other than N. America) / -13°F to 122°F (N. America)			
Storage Temperature	-40°C to + 70°C / -40°F to +158°F			
Environment	IP66 & 67 Outdoor Rated			
Humidity	0 to 90% non-condensing			

Electrical Specifications

Input Voltage	Allegro Dot XS 30V DC; PXL Distributor Pro 8 120V-277V AC nominal
Power Consumption (Typ.)	Allegro Dot XS White: 0.5W per Dot PXL Distributor Pro 8: 10W Full system: 400W

System Specifications

Power	AC line
Control	e:net ³ IN and OUT via PXL Distributor Pro 8
Power Supply	Integrated 450W; Isolated outputs for Class2 Compliance
Addressing Options	Auto-addressing

1. Measurement per dot.
2. Per Dot
3. An Ethernet-based e:cue protocol used for communication between e:cue Engines and Interfaces.

LED CHARACTERISTICS Because LEDs are semiconductor devices, their performances are subject to inherent variability commonly found in semiconductor industry. To improve consistency in performance across the same product, LED manufacturers "sort" LEDs into bins according to different preset parameters, such as forward driving voltage, illumination, etc. Whereas binning is a sorting function, it is not a correction process. Inherent variability in the manufacturing process results always in different binning distributions according to different production lots. Traxon uses automatically binned LEDs on its products, thereby minimizing output variations within the model range.

As with all electronic devices, LED output degrades over time – a term called lumen depreciation. This also explains why it is nearly impossible to expect photometric performances of two LED products with different service life spans to be the same. The rate of LED degrade is a complicate function of many factors such as operating efficiency, duration of continuous operation, and more significantly, environmental conditions (ambient temperature for example). If allowed working under optimal operating temperature range and with good ventilation, LED devices enjoy long service lives over conventional light sources. When using/installing LED devices, care should be taken to ensure that the devices will operate within the operating conditions specified in respective product literature.

This product contains a light source of energy efficiency class G to Regulation (EU) No 2019/2015. Lumen measurement complies with LM-79-08 standard. Lumen maintenance is calculated based on LM-80 compliant measurement.



www.traxon-ecue.com

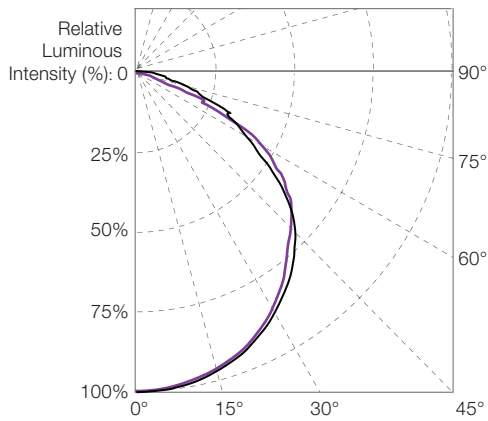
©2023 TRAXON TECHNOLOGIES — ALL RIGHTS RESERVED. TRAXON™, TX CONNECT® ARE TRADEMARKS OF TRAXON TECHNOLOGIES. U.S. PATENTS, E.U. PATENTS, JAPAN PATENTS, OTHER PATENTS PENDING. SPECIFICATIONS ARE SUBJECT TO CHANGE WITHOUT NOTICE.

Source Specifications (Clear)

Source	1 White LED per dot
Optics	115°

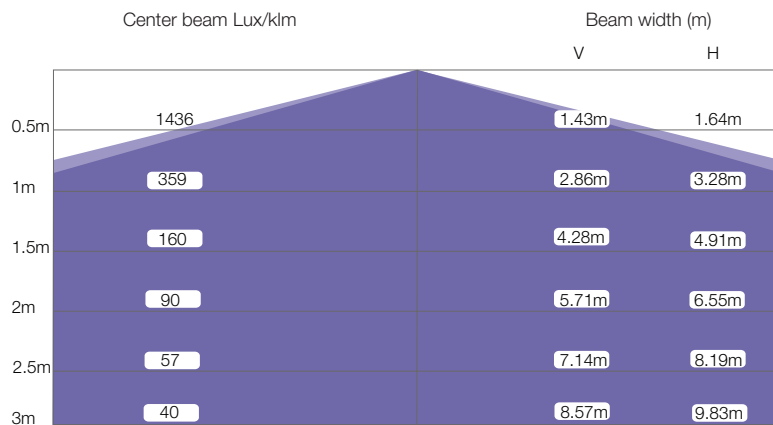
Candela Distribution

Light Output



Color	Luminous Flux (lm)	Center Intensity (cd)	Efficacy (lm/W)
2700K	25	9.00	56
6500K	27	9.72	61

Illuminance at a Distance



- Vert.Spread: 110.0°
- Horiz.Spread: 117.2°

For fc divide by 10.7

For feet multiply by 3.28

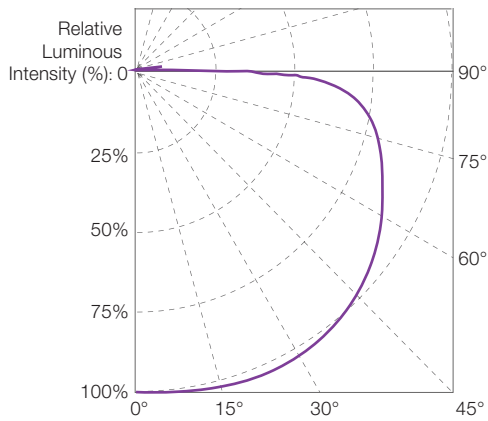
IES and LDT files are available for download from the Traxon website.

Source Specifications (Diffused)

Source	1 White LED per dot
Optics	175°

Candela Distribution

Light Output



Color	Luminous Flux (lm)	Center Intensity (cd)	Efficacy (lm/W)
2700K	21	4.06	47
6500K	23	4.44	52

Illuminance at a Distance

Center beam Lux/klm	Beam width (m) H
739	24.90m
185	49.80m
82	74.69m
46	99.59m
31	124.49m
21	149.39m

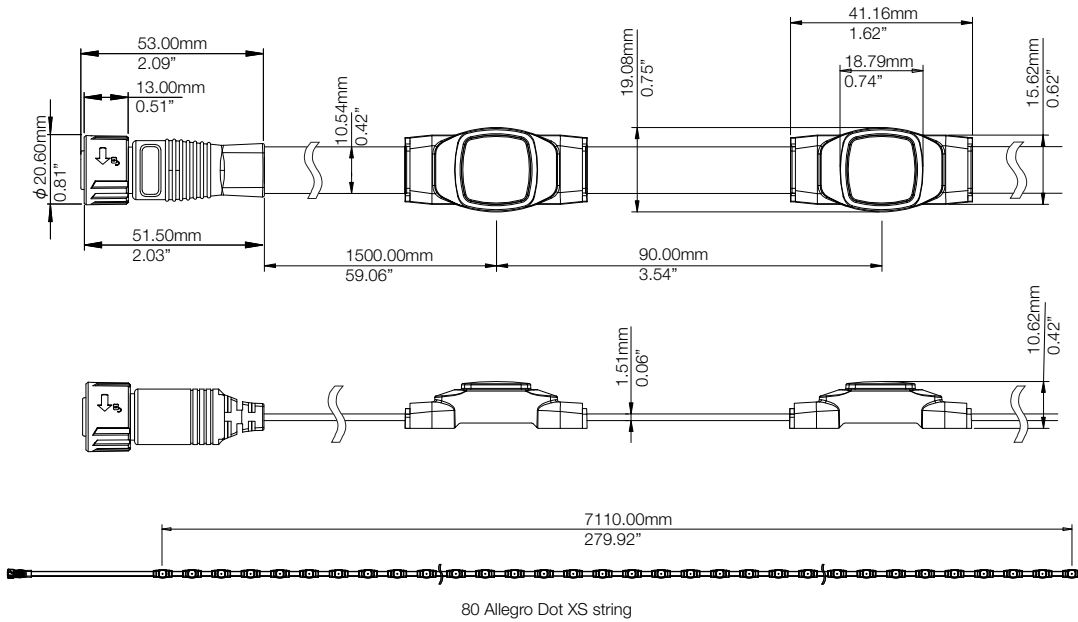
● Horiz.Spread: 175.4°

For fc divide by 10.7

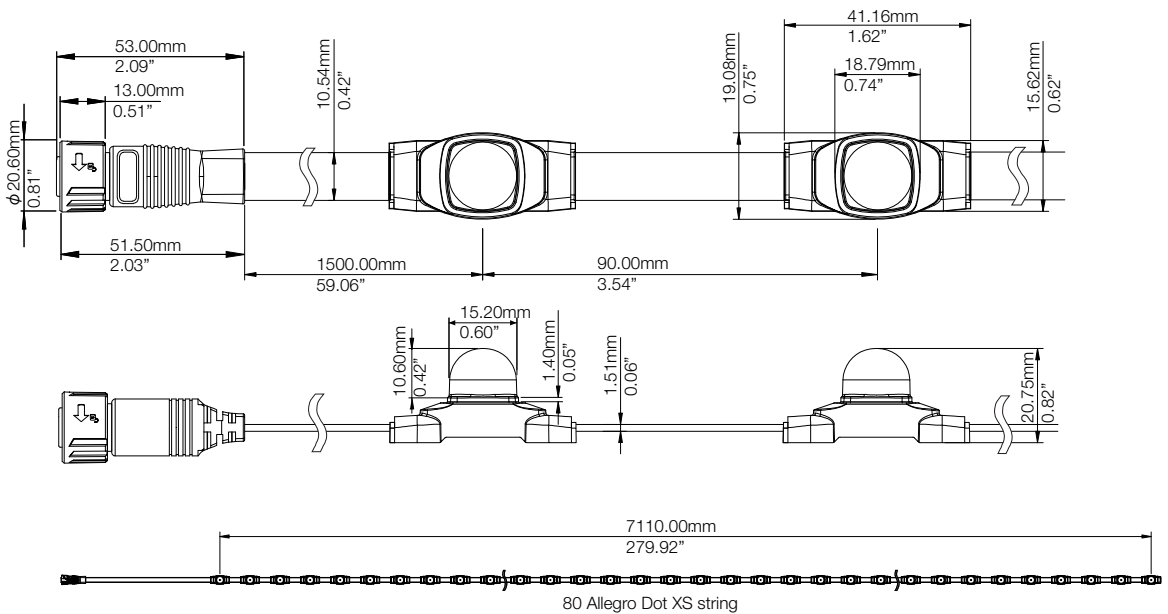
For feet multiply by 3.28

IES and LDT files are available for download from the Traxon website.

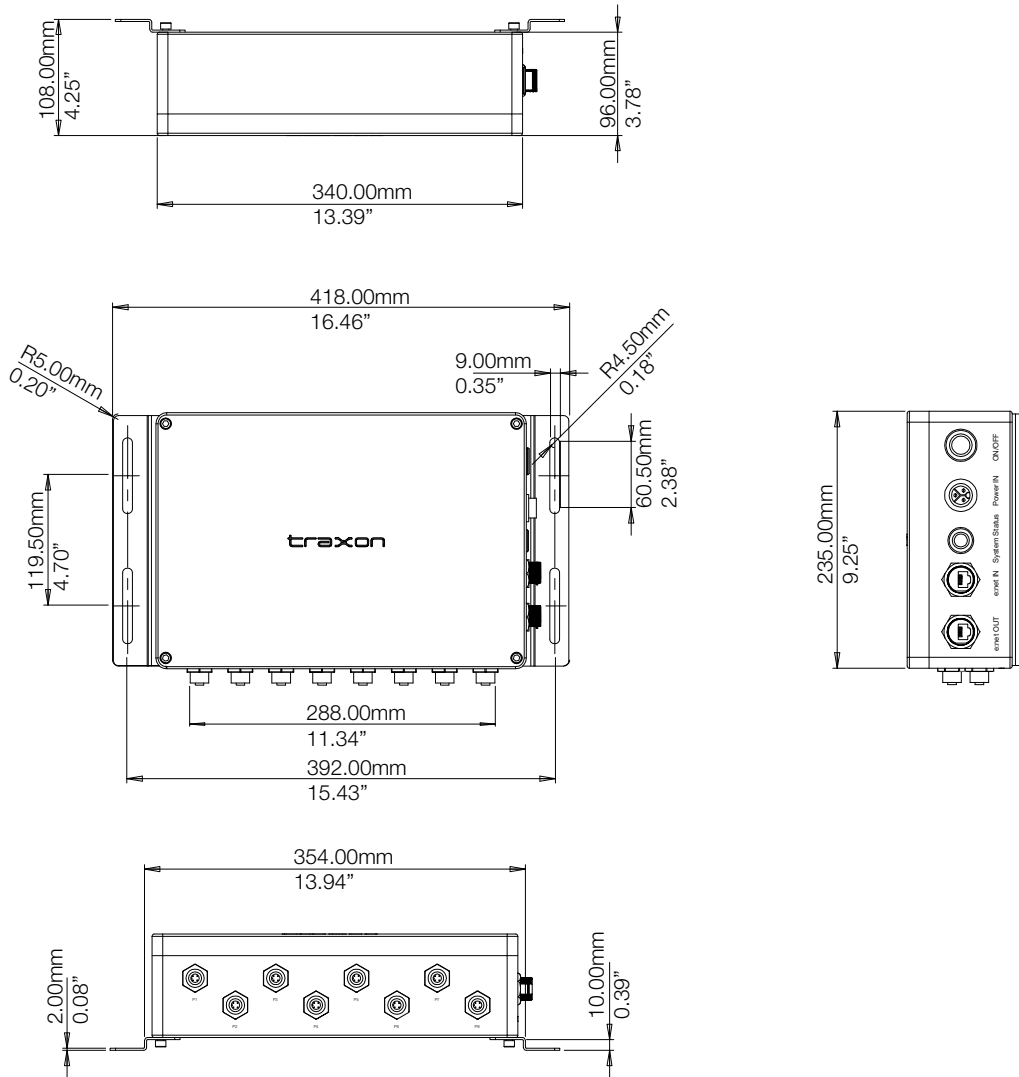
AL Dot XS Clear



AL Dot XS Diffused

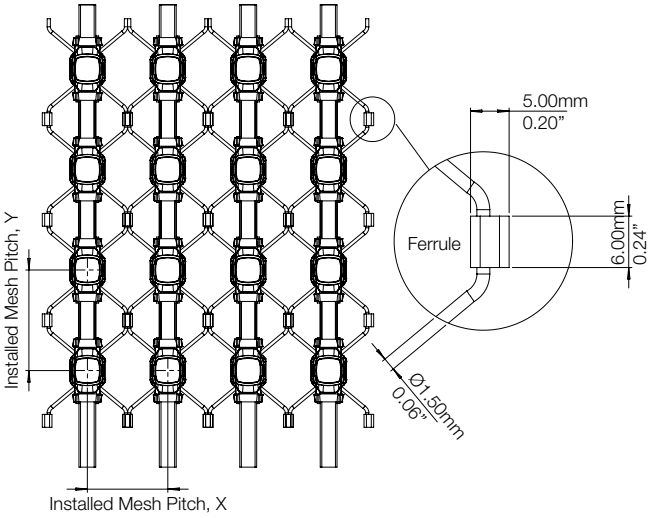


PXL Distributor Pro 8 (AM461810055)



NOTE: Please refer to the PXL Distributor Pro 8 datasheet for more technical details.

High Density Dot Media Solution - STAINLESS STEEL MESH GRID

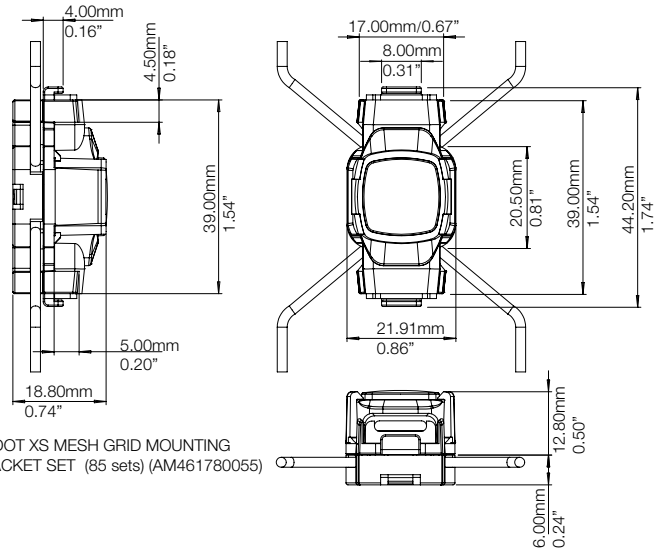


NOTE: The Mounting Bracket is designed to fit to this Ferrule dimension.

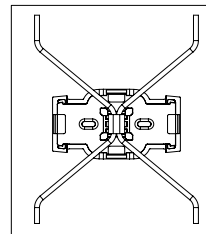
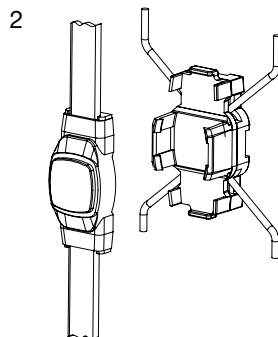
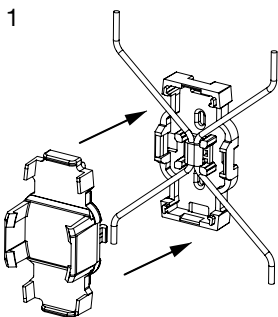
Standard Mesh Grid

	Installed Mesh Pitch, x (mm)	Installed Mesh Pitch, y (mm)	Weight of MG / m ² (g)
MG15-40	45	62	937
MG15-50 (Standard)	60	77	722
MG15-60	80	84	517
MG15-70	90	105	423
MG15-80	100	117	370
MG15-90	125	125	320
MG15-100	135	140	282
MG15-120	170	175	204

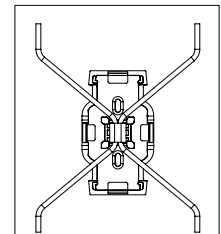
NOTE: Pitch measured when the mesh grid is fully stretched.



Mounting



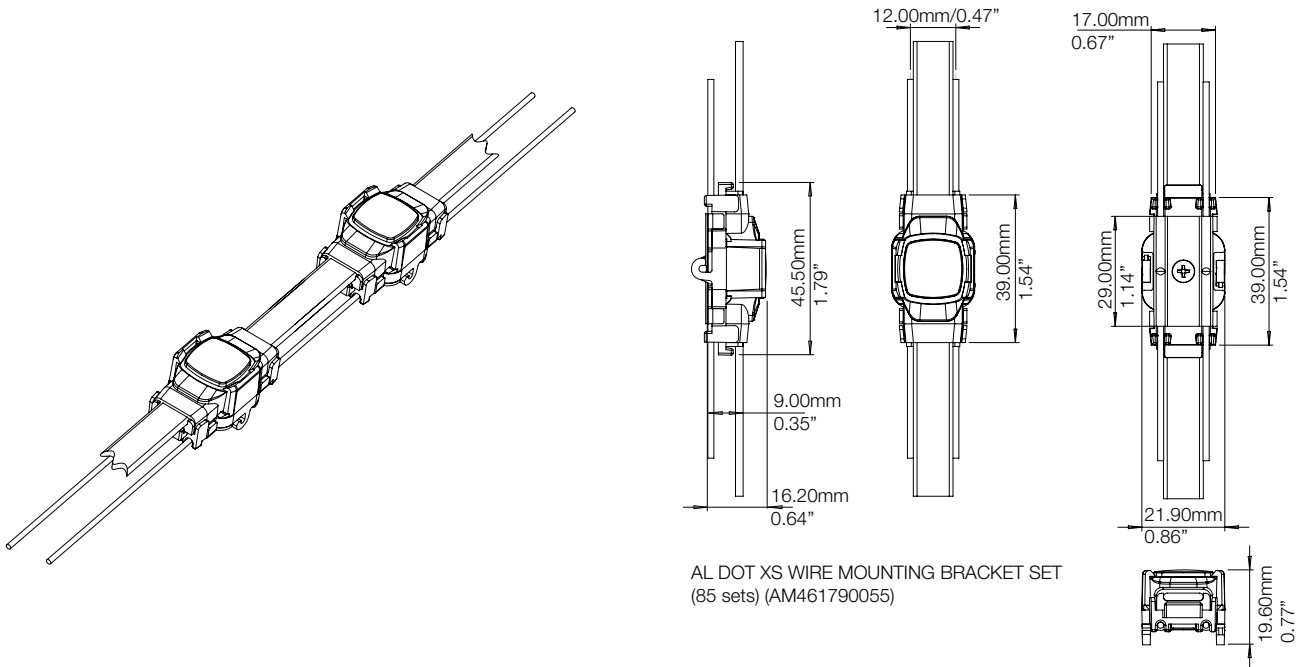
Horizontal cable run



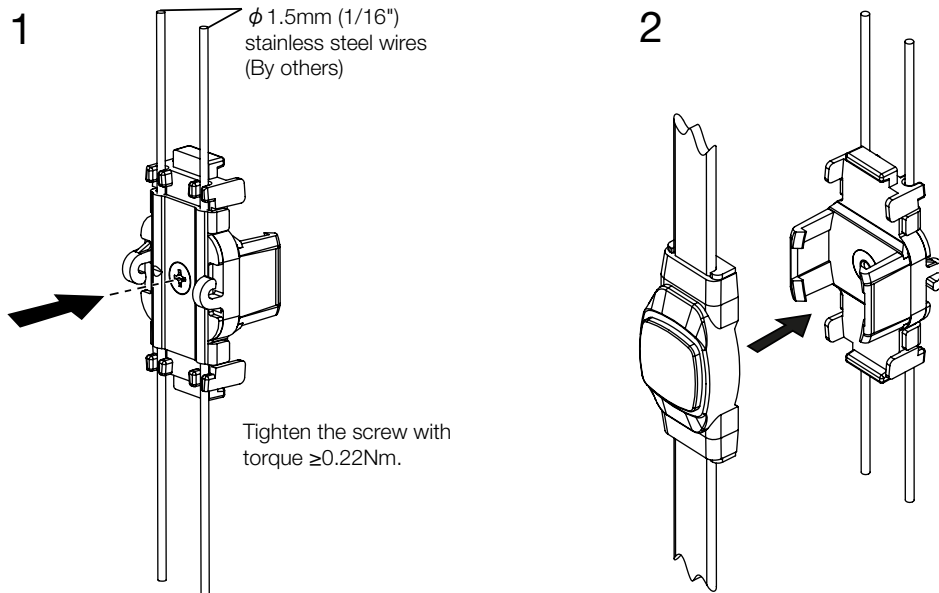
Vertical cable run

NOTE: Please refer to the installation guide for Mesh Grid installation planning.

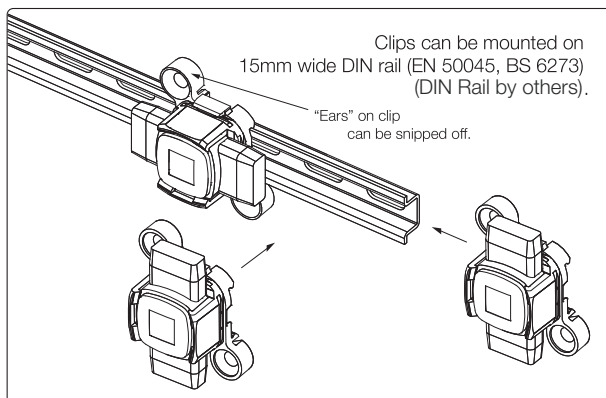
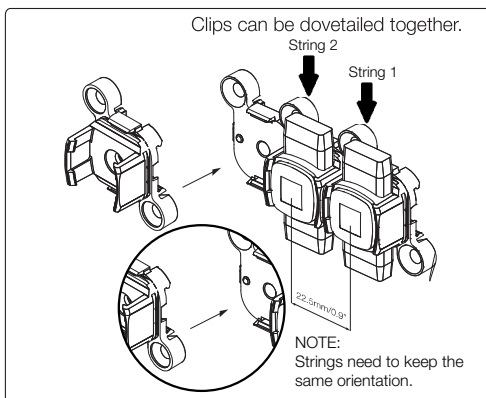
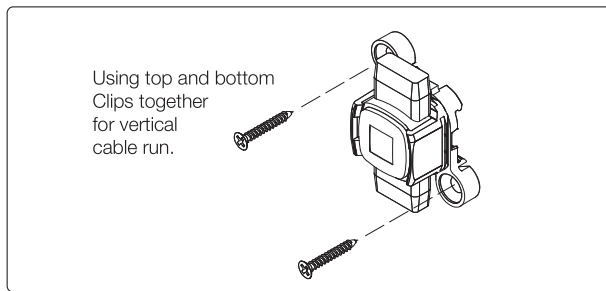
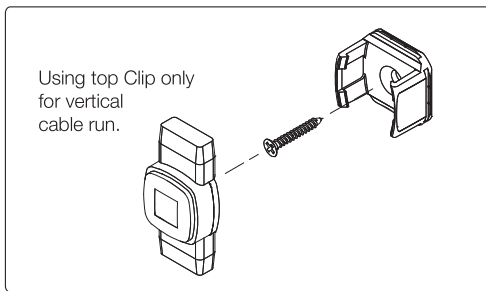
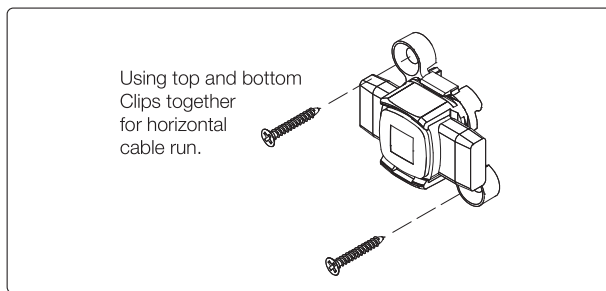
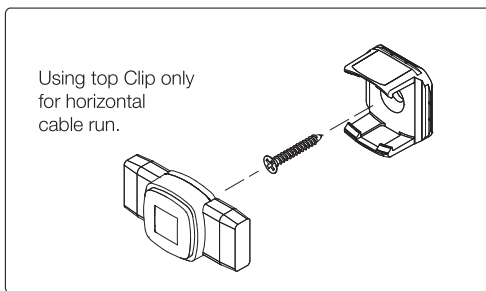
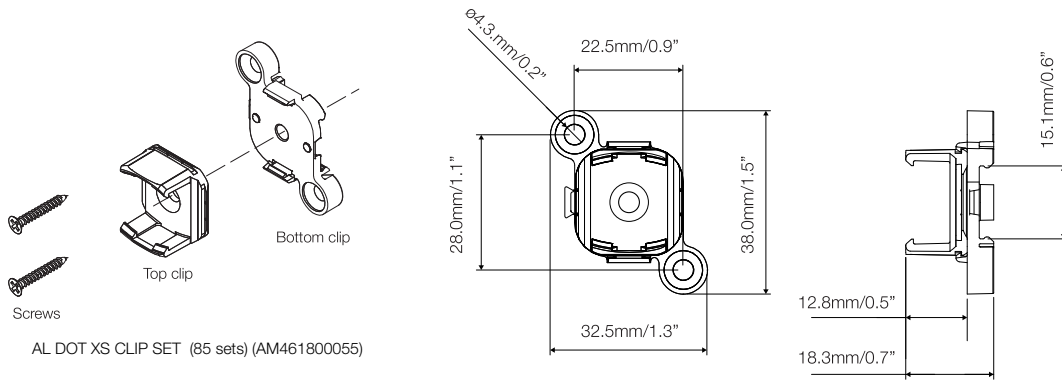
Low Density / Single String Installation Solution - WIRE MOUNTING

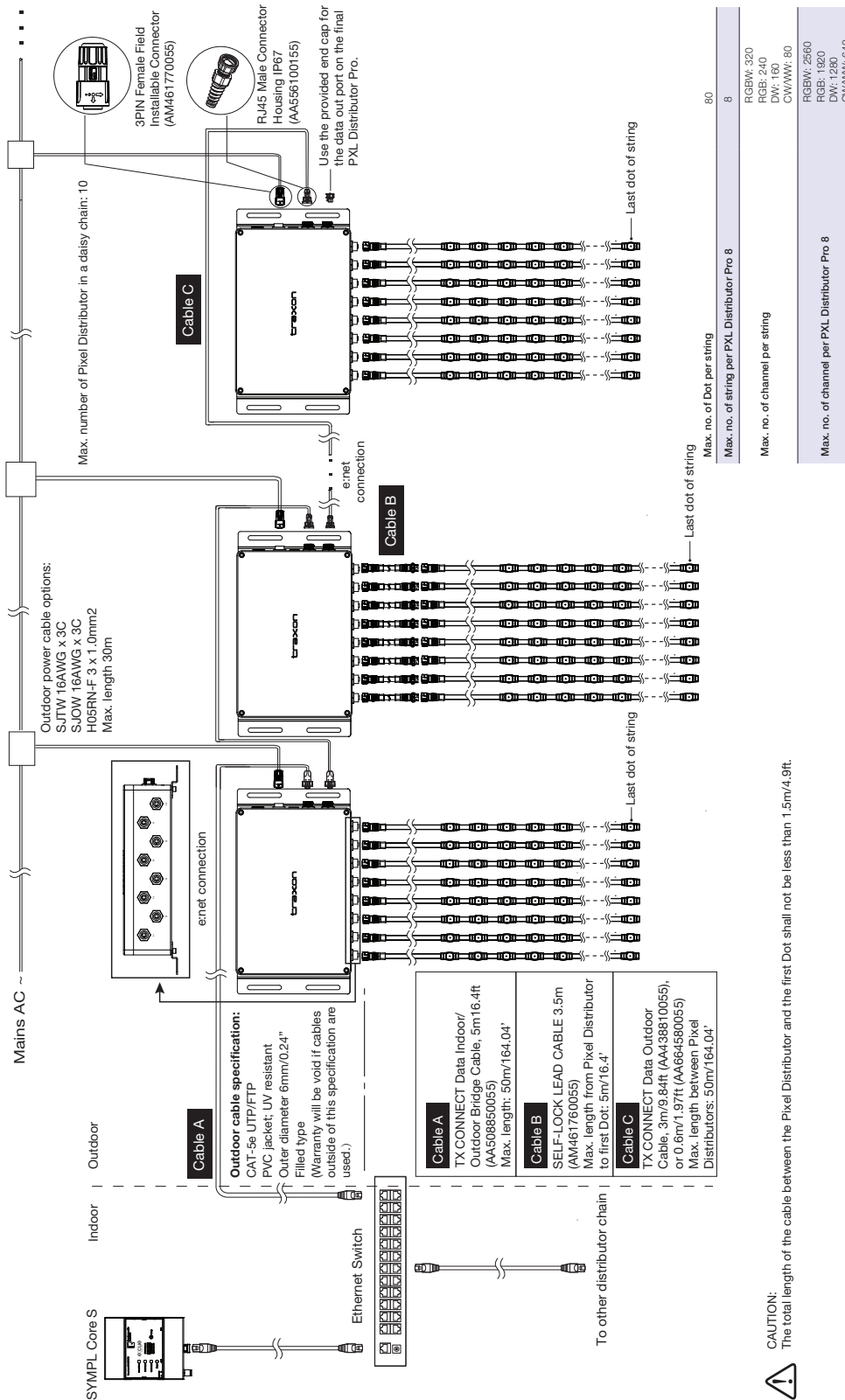


Mounting



Low Density / Single String Installation Solution - DOT CLIP





CAUTION:
 The total length of the cable between the Pixel Distributor and the first Dot shall not be less than 1.5m/4.9ft.

Fixtures

Model No.	Description	Item Code
DO.A4.4100010	AL DO XS CR WW 80PPF 90P 1.5M	AM461110055
DO.A4.4200010	AL DO XS DF WW 80PPF 90P 1.5M	AM461120055
DO.A4.5100010	AL DO XS CR CW 80PPF 90P 1.5M	AM461130055
DO.A4.5200010	AL DO XS DF CW 80PPF 90P 1.5M	AM461140055

Mounting Accessories

Model No.	Description	Item Code
N/A	STAINLESS STEEL MG15-50* *Check with your local Traxon e:cue regional office for additional customization options	N/A
N/A	AL DOT XS MESH GRID MOUNTING BRACKET SET (85 SETS)	AM461780055
N/A	AL DOT XS WIRE MOUNTING BRACKET SET (85 SETS)	AM461790055
N/A	AL DOT XS INDIVIDUAL CLIP (85 SETS)	AM461800055

Connection Accessories

Model No.	Description	Item Code
DO.AP.0081000	PXL DISTRIBUTOR PRO 8 (8-PORT) FOR AL DOT XS	AM461810055
N/A	SELF-LOCK AL DO XS LEAD CABLE 3.5M (EXTENSION CABLE FROM DOT TO PXL DISTRIBUTOR)	AM461760055
N/A	3PIN FIELD INSTALLABLE CONNECTOR PD8 IP67	AM461770055

TX Connect

Model No.	Description	Item Code
DE.AC.0100000	RJ45 MALE CONNECTOR HOUSING IP67	AA556100155
DE.IC.0300000	TX CONNECT DATA OUTDOOR CABLE, 3M/9.84FT	AA438810055
DE.IC.0060000	TX CONNECT DATA OUTDOOR CABLE, 0.6M/1.97FT	AA664580055
DE.AC.0000100	TX CONNECT DATA INDOOR/OUTDOOR BRIDGE CABLE, 5M/16.4FT	AA508850055

e:cue Control

Model No.	Description	Item Code
N/A	SYMPL Core S	AB447060035
N/A	SYMPL Core SP	AM430280035
N/A	LCE3FX	AM368100135
N/A	LCE3	AM368100035