

BEFORE MOUNTING, PLEASE READ THE USER MANUAL FOR CABLING AND CONNECTION DETAILS.

Mounting Guide

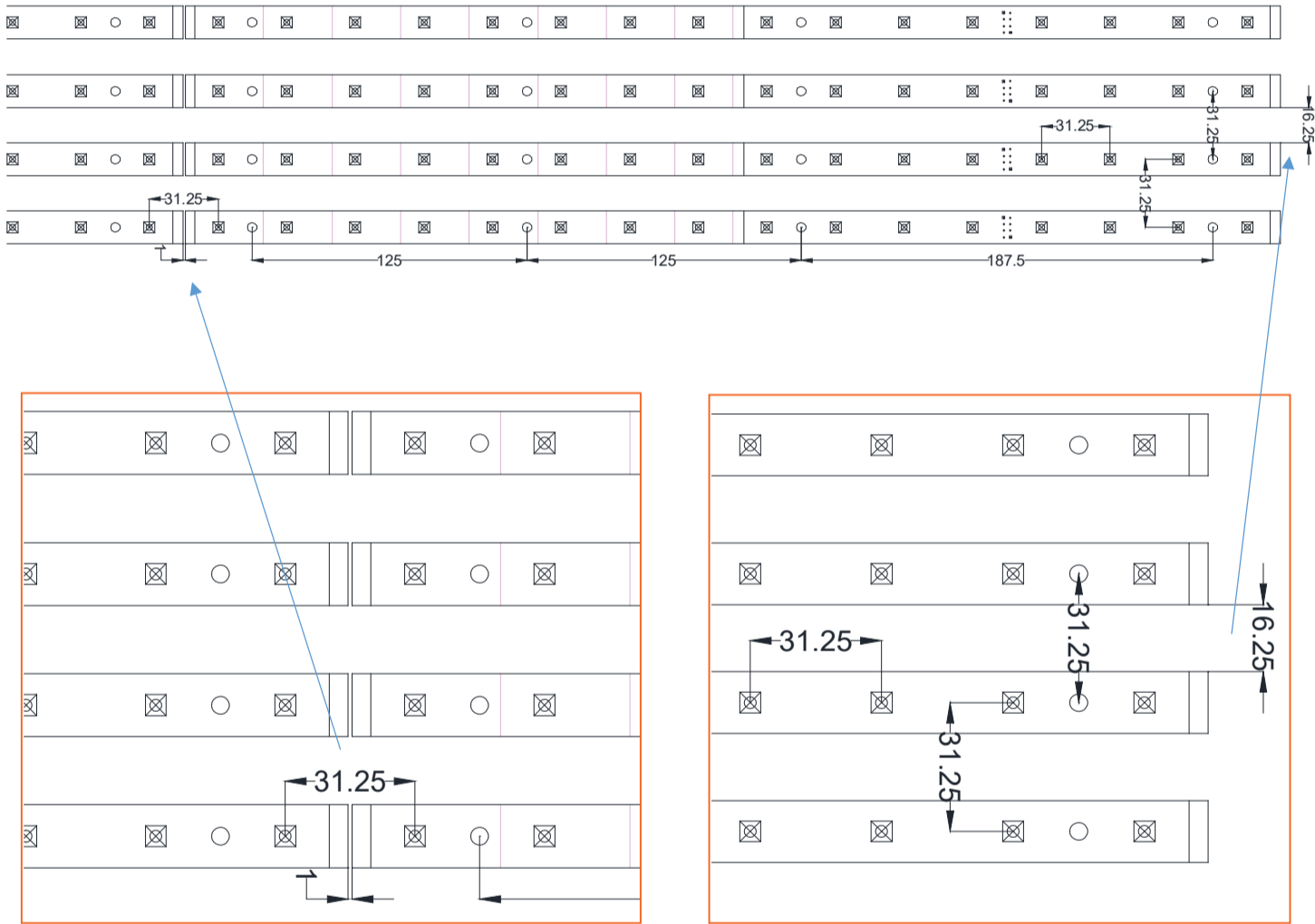
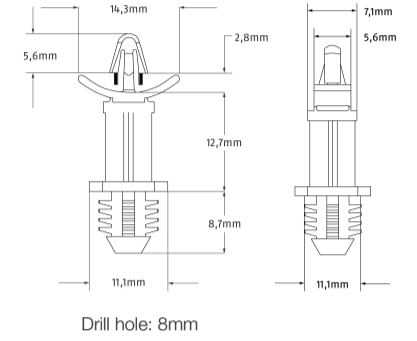
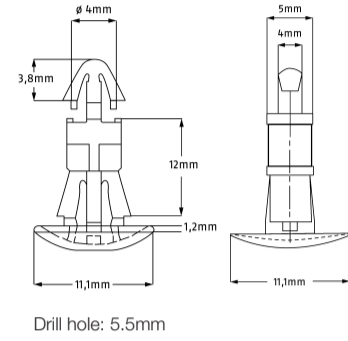
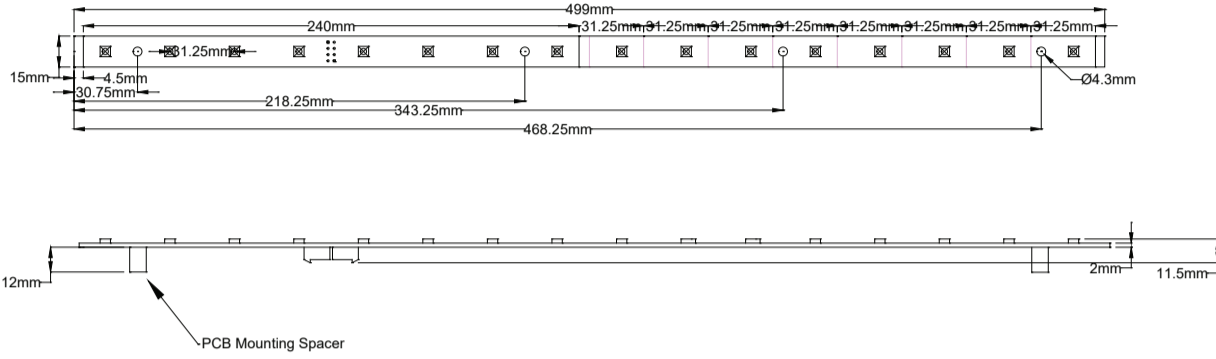
16PXL STRIP RGB 2.0



Mounting Accessories

Board holder, punch version (Ø 4.3mm)
Sheet metal

Board holder, drill version (Ø 4.3mm)
Wood



MOUNTING SPACER (4x)
Board holder punch
and drill version

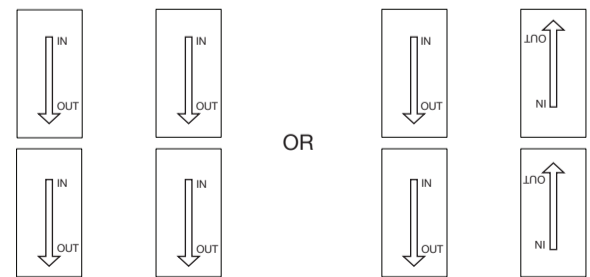
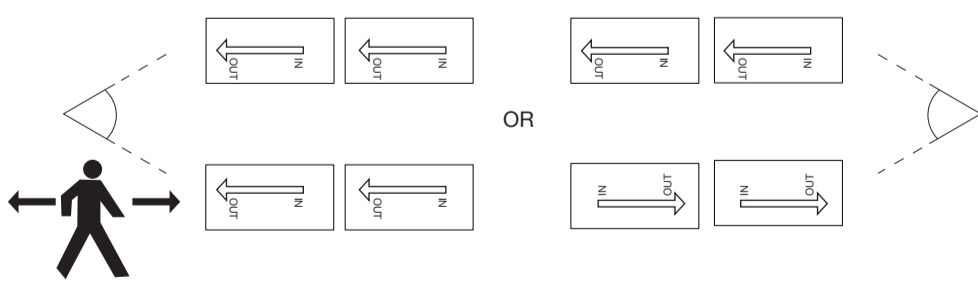
Orientation and Color Mixing

For left or right viewing angles, align the boards left to right or right to left.

“Snake Mode”

For top or bottom viewing angles, align the boards top to bottom or bottom to top.

“Snake Mode”



- For best color mixing results, ensure the boards have the same orientation and remain parallel to the main movement pattern of the viewer.
- If same orientation cannot be achieved, ensure the orientation of the boards that snake back are 180° to the previous row / column and consider the main movement pattern of the viewer.