



Product Highlights:

- Fully customizable
- ConnectOne maximize the connection possibilities
- WhiteOne modes illustration
- DynaMood® technologies

Light is extraordinary

Allegro Dot

The next generation of intelligent media dot portfolio.

Allegro Dot



Allegro Dot is the next generation of intelligent media dot portfolio. Providing advanced features and flexibility for lighting design and project execution with the smart and intelligent control system and extraordinary lighting effect, Allegro Dot could match the needs of lighting designers and installers to provide flexibility and convenience in design, installation and facilities management.

Advantages & Benefits

Fully customizable media dot solution

- Support variable nodes and pixel pitch
- Customizable for different LED options (RGB, RGBW, White, Dynamic White)

ConnectOne

- Streamline control architecture
- Maximize the connection possibilities (DMX, RDM, e:pix, e:net)
- System monitoring per test

WhiteOne

- Improve white element display quality
- Enhance brightness in typical RGB video content

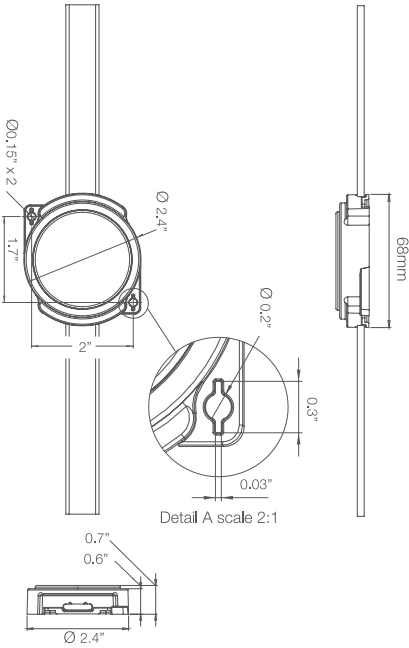
Applications

- Outdoor media screen
- Building façade decoration
- Structure highlight with dynamic lighting effect

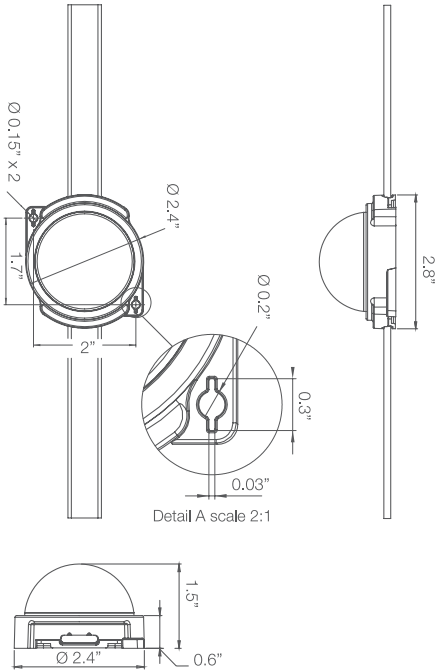
Allegro Dot

Dimensions

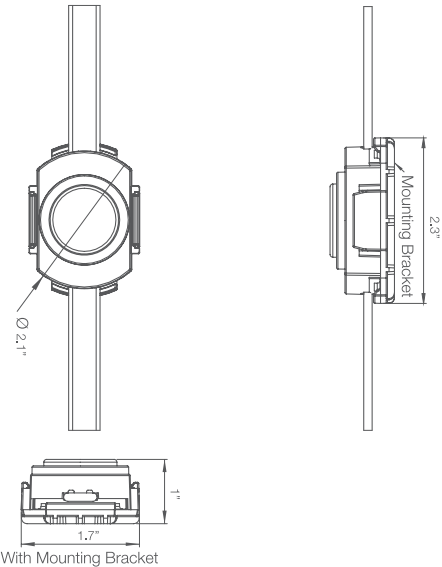
Dot M/L Direct View



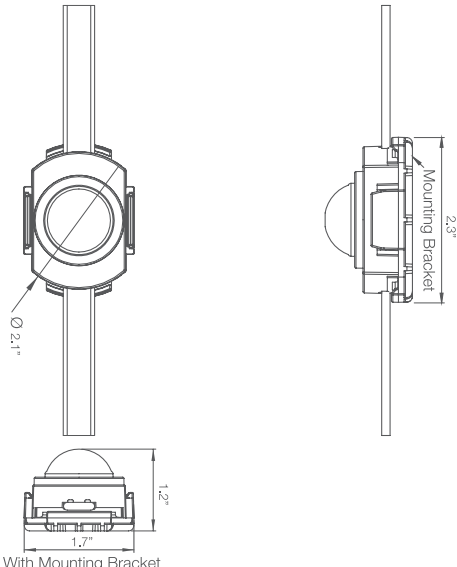
Dot M/L Diffused View










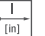

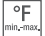

Dot S Direct View



Dot S Diffused View



Allegro Dot

Product Reference	IC											
Fixtures (US version)												
AL DO S CR RGBW65 48PPF 150P 0.5M WT	AM294630055	RGBW	DC	30	1	100	48	2.1	1.7	0.7	-22 - +122	DMX512 / e:pix / RDM/ e:net
AL DO S CR RGB 48PPF 150P 0.5M WT	AM294640055	RGB	DC	30	1.5	100	36	2.1	1.7	0.7	-22 - +122	DMX512 / e:pix / RDM/ e:net
AL DO S DF RGBW65 48PPF 150P 0.5M WT	AM294650055	RGBW	DC	30	1	135	40	2.1	1.7	1.1	-22 - +122	DMX512 / e:pix / RDM/ e:net
AL DO S DF RGB 48PPF 150P 0.5M WT	AM294660055	RGB	DC	30	1.5	135	32	2.1	1.7	1.1	-22 - +122	DMX512 / e:pix / RDM/ e:net
AL DO S CR RGBW65 48PPF 300P 0.5M WT	AM305830055	RGBW	DC	30	1	100	48	2.1	1.7	0.7	-22 - +122	DMX512 / e:pix / RDM/ e:net
AL DO S CR RGB 48PPF 300P 0.5M WT	AM305840055	RGB	DC	30	1.5	100	36	2.1	1.7	0.7	-22 - +122	DMX512 / e:pix / RDM/ e:net
AL DO S DF RGBW65 48PPF 300P 0.5M WT	AM305850055	RGBW	DC	30	1	135	40	2.1	1.7	1.1	-22 - +122	DMX512 / e:pix / RDM/ e:net
AL DO S DF RGB 48PPF 300P 0.5M WT	AM305860055	RGB	DC	30	1.5	135	32	2.1	1.7	1.1	-22 - +122	DMX512 / e:pix / RDM/ e:net
AL DO M CR RGBW65 36PPF 150P 0.5M WT	AM294670055	RGBW	DC	30	2	110	103	2.7	2.4	0.7	-22 - +122	DMX512 / e:pix / RDM/ e:net
AL DO M CR RGB 36PPF 150P 0.5M WT	AM294680055	RGB	DC	30	2	110	53	2.7	2.4	0.7	-22 - +122	DMX512 / e:pix / RDM/ e:net
AL DO M DF RGBW65 36PPF 150P 0.5M WT	AM294690055	RGBW	DC	30	2	150	94	2.7	2.4	1.5	-22 - +122	DMX512 / e:pix / RDM/ e:net
AL DO M DF RGB 36PPF 150P 0.5M WT	AM294700055	RGB	DC	30	2	150	46	2.7	2.4	1.5	-22 - +122	DMX512 / e:pix / RDM/ e:net
AL DO M CR RGBW65 36PPF 300P 0.5M WT	AM305870055	RGBW	DC	30	2	110	103	2.7	2.4	0.7	-22 - +122	DMX512 / e:pix / RDM/ e:net
AL DO M CR RGB 36PPF 300P 0.5M WT	AM305880055	RGB	DC	30	2	110	53	2.7	2.4	0.7	-22 - +122	DMX512 / e:pix / RDM/ e:net
AL DO M DF RGBW65 36PPF 300P 0.5M WT	AM305890055	RGBW	DC	30	2	150	94	2.7	2.4	1.5	-22 - +122	DMX512 / e:pix / RDM/ e:net
AL DO M DF RGB 36PPF 300P 0.5M WT	AM305900055	RGB	DC	30	2	150	46	2.7	2.4	1.5	-22 - +122	DMX512 / e:pix / RDM/ e:net
AL DO L CR RGBW65 24PPF 150P 0.5M WT	AM294710055	RGBW	DC	30	3	110	147	2.7	2.4	0.7	-22 - +122	DMX512 / e:pix / RDM/ e:net
AL DO L CR RGB 24PPF 150P 0.5M WT	AM294720055	RGB	DC	30	2.5	110	79	2.7	2.4	0.7	-22 - +122	DMX512 / e:pix / RDM/ e:net
AL DO L DF RGBW65 24PPF 150P 0.5M WT	AM294730055	RGBW	DC	30	3	150	135	2.7	2.4	1.5	-22 - +122	DMX512 / e:pix / RDM/ e:net
AL DO L DF RGB 24PPF 150P 0.5M WT	AM294740055	RGB	DC	30	2.5	150	72	2.7	2.4	1.5	-22 - +122	DMX512 / e:pix / RDM/ e:net
AL DO L CR RGBW65 24PPF 300P 0.5M WT	AM305910055	RGBW	DC	30	3	110	147	2.7	2.4	0.7	-22 - +122	DMX512 / e:pix / RDM/ e:net
AL DO L CR RGB 24PPF 300P 0.5M WT	AM305920055	RGB	DC	30	2.5	110	79	2.7	2.4	0.7	-22 - +122	DMX512 / e:pix / RDM/ e:net
AL DO L DF RGBW65 24PPF 300P 0.5M WT	AM305930055	RGBW	DC	30	3	150	135	2.7	2.4	1.5	-22 - +122	DMX512 / e:pix / RDM/ e:net
AL DO L DF RGB 24PPF 300P 0.5M WT	AM305940055	RGB	DC	30	2.5	150	72	2.7	2.4	1.5	-22 - +122	DMX512 / e:pix / RDM/ e:net
Accessories												
ALLEGRO DOT PXL DISTRIBUTOR	AM278810055											
X-LOCK LEAD CABLE 5M 14AWG VS15 TX	AM061830055											
X-LOCK LEAD CABLE 10M 14AWG VS10 TX	AM061850055											
AL DOT S MOUNTING CLIP	AM286870055											

Technical data subject to variation and change without notice.

Traxon e:cue

Sales enquiry: Traxon.ecue.newsletter@osram.com
www.traxontechnologies.com

