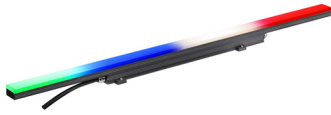


Date: _____ Quantity: _____

Company: _____

Project: _____

ProPoint Kontour Narrow RGBW



Traxon Kontour is an AC line powered exterior luminaire used to distinguish facades, walls, and architectural borders with a concentrated, even radiance. ProPoint Kontour's compact, lowprofile design is available in four lengths, two widths and is combined with a clip mounting system for efficient installation.



Product Specifications

	300mm / 12"	600mm / 24"	1200mm / 48"	2400mm / 96"
Model	Kontour Narrow			
Light Source	RGBW (White CCT: 4000K)			
LED Quantity	RGBW / 4-in-1 LED cluster x 30pcs	RGBW / 4-in-1 LED cluster x 60pcs	RGBW / 4-in-1 LED cluster x 120pcs	RGBW / 4-in-1 LED cluster x 240pcs
Beam Angle	120°			
Luminous Flux	123 lm	246 lm	495 lm	985 lm
Efficacy	29 lm/W			
Lumen Maintenance	L70 @25°C -81,000hrs			
Cover Lens	Diffused UV stable acrylic			
Housing	Extruded Aluminum			
Housing Finish Options	Gray (RAL7015), Black (RAL9005), White (RAL9003)			
Mounting	Low Profile Mounting Brackets (x2 per length)			
Dimensions (L)	300mm / 11.8"	600mm / 23.6"	1200mm / 47.2"	2400mm / 94.5"
(W x H)	46.5mm x 59.5mm / 1.8" x 2.3"			
Weight	0.9 kg / 2 lbs.	1.3 kg / 2.9 lbs.	2.1 kg / 4.6 lbs.	3.8 kg / 8.4 lbs.
EPA (sq.ft)				
Front	0.032			
Side	0.258	0.392	0.787	1.575
Front 45°	0.1824	0.2771	0.5564	1.1135
Regulatory Listing & Safety Approval	cETLus,FCC, RoHs, ASTM B117-16, ANSI 3G, IK08			
Operating Temperature	-30°C to +55°C / -22°F to +131°F			
Storage Temperature	-40°C to +80°C / -40°F to +176°F			
Environment	Outdoor (IP66), suitable for coastal environments			
Humidity	85%, non-condensing			

Electrical Specifications

Input Voltage	120-277Vac 50/60Hz			
Power Consumption	4W	8W	16W	32W
Power Factor	≥ 0.9			

System Specifications

Control	DMX 512
Power Supply	Integral
Addressing Options	Auto-Addressed with Data Injector
Pixel Control	Standard luminaire controlled by 12" / 300mm. Factory set to other pixel configurations on request.

LED CHARACTERISTICS Because LEDs are semiconductor devices, their performances are subject to inherent variability commonly found in semiconductor industry. To improve consistency in performance across the same product, LED manufacturers "sort" LEDs into bins according to different preset parameters, such as forward driving voltage, illumination, etc. Whereas binning is a sorting function, it is not a correction process. Inherent variability in the manufacturing process results always in different binning distributions according to different production lots. Traxon uses automatically binned LEDs on its products, thereby minimizing output variations within the model range.

As with all electronic devices, LED output degrades over time – a term called lumen depreciation. This also explains why it is nearly impossible to expect photometric performances of two LED products with different service life spans to be the same. The rate of LED degrade is a complicate function of many factors such as operating efficiency, duration of continuous operation, and more significantly, environmental conditions (ambient temperature for example). If allowed working under optimal operating temperature range and with good ventilation, LED devices enjoy long service lives over conventional light sources. When using/installing LED devices, care should be taken to ensure that the devices will operate within the operating conditions specified in respective product literature.

Lumen measurement complies with LM-79-08 standard.
Lumen maintenance is calculated based on LM-80 compliant measurement.

www.traxontechnologies.com | www.osram.us/traxon

©2020 TRAXON TECHNOLOGIES - AN OSRAM BUSINESS. ALL RIGHTS RESERVED. TRAXON™, TX CONNECT®, ARE TRADEMARKS OF TRAXON TECHNOLOGIES. U.S. PATENTS, E.U. PATENTS, JAPAN PATENTS, OTHER PATENTS PENDING. SPECIFICATIONS ARE SUBJECT TO CHANGE WITHOUT NOTICE.

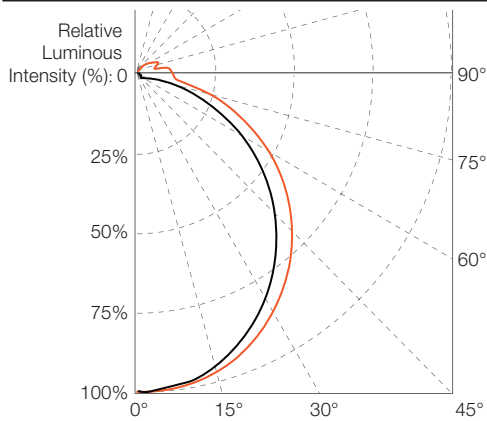
ProPoint Kontour Narrow RGBW

Photometrics

Source Specifications

Optics 120°

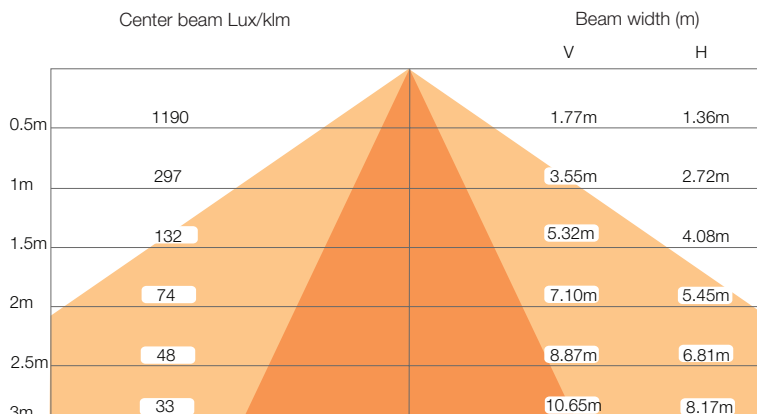
Candela Distribution



Light Output

Color	Luminous Flux (lm)	Efficacy (lm/W)
300mm / 12"		
RGBW (full-on)	123.03	28.7
RGB	83.347	24.0
Red	18.38	10.7
Green	53.92	31.7
Blue	10.84	6.3
White	39.34	23.2
600mm / 24"		
RGBW (full-on)	246.2	28.8
RGB	166.9	24.3
Red	37.07	10.9
Green	107.9	31.6
Blue	21.65	6.3
White	78.72	23.0
1200mm / 48"		
RGBW (full-on)	495.4	28.9
RGB	329.3	24.3
Red	75.355	10.9
Green	216.5	32.0
Blue	43.16	6.3
White	157.8	23.2
2400mm / 96"		
RGBW (full-on)	985.5	28.7
RGB	668.2	24.2
Red	148.1	10.7
Green	431.9	31.3
Blue	86.53	6.3
White	315	22.9

Illuminance at a Distance



- Vert. Spread: 107.4°
- Horiz. Spread: 121.2°

For fc divide by 10.7

For feet multiply by 3.28

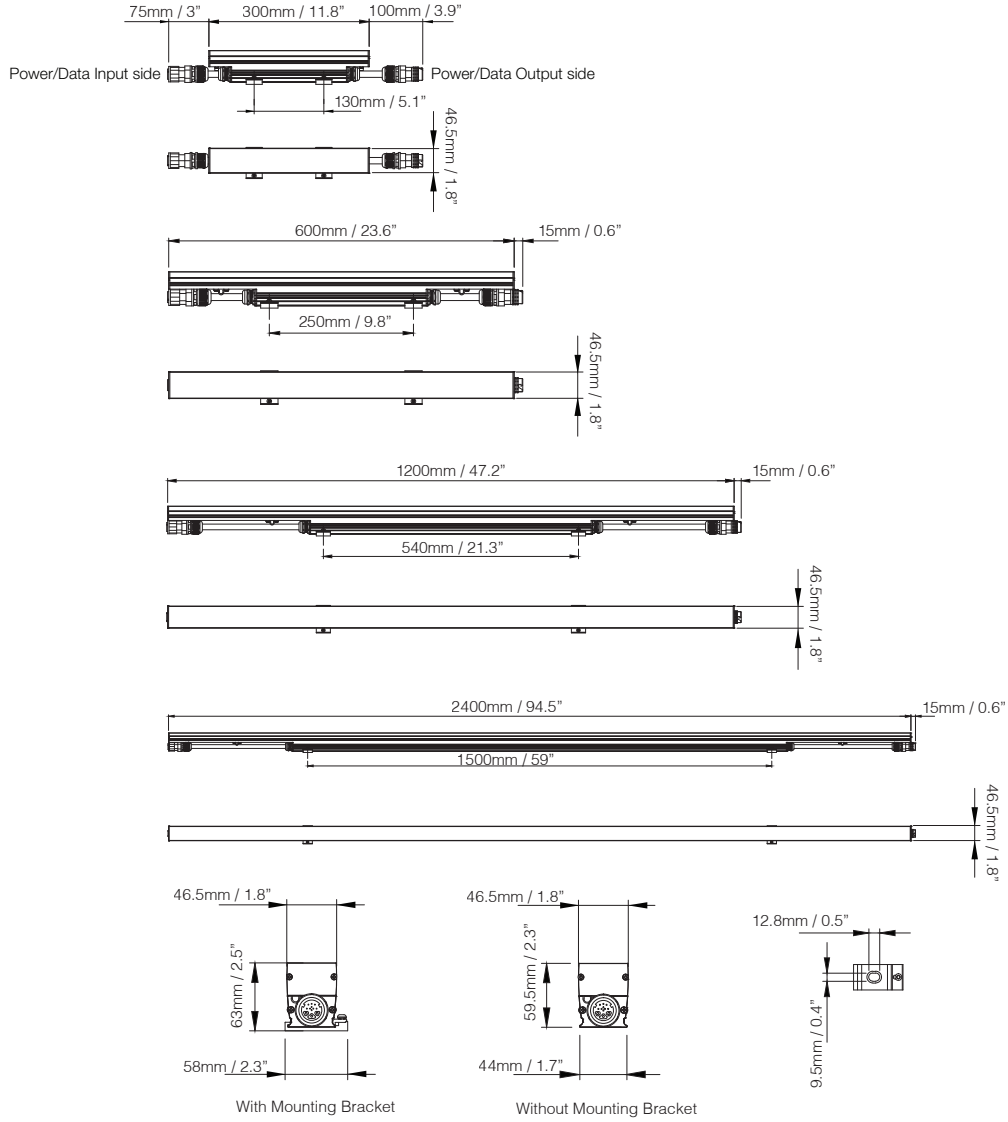
IES and LDT files are available for download from the Traxon website.

www.traxontechnologies.com | www.osram.us/traxon

©2020 TRAXON TECHNOLOGIES - AN OSRAM BUSINESS. ALL RIGHTS RESERVED. TRAXON™, TX CONNECT®, ARE TRADEMARKS OF TRAXON TECHNOLOGIES. U.S. PATENTS, E.U. PATENTS, JAPAN PATENTS, OTHER PATENTS PENDING. SPECIFICATIONS ARE SUBJECT TO CHANGE WITHOUT NOTICE.

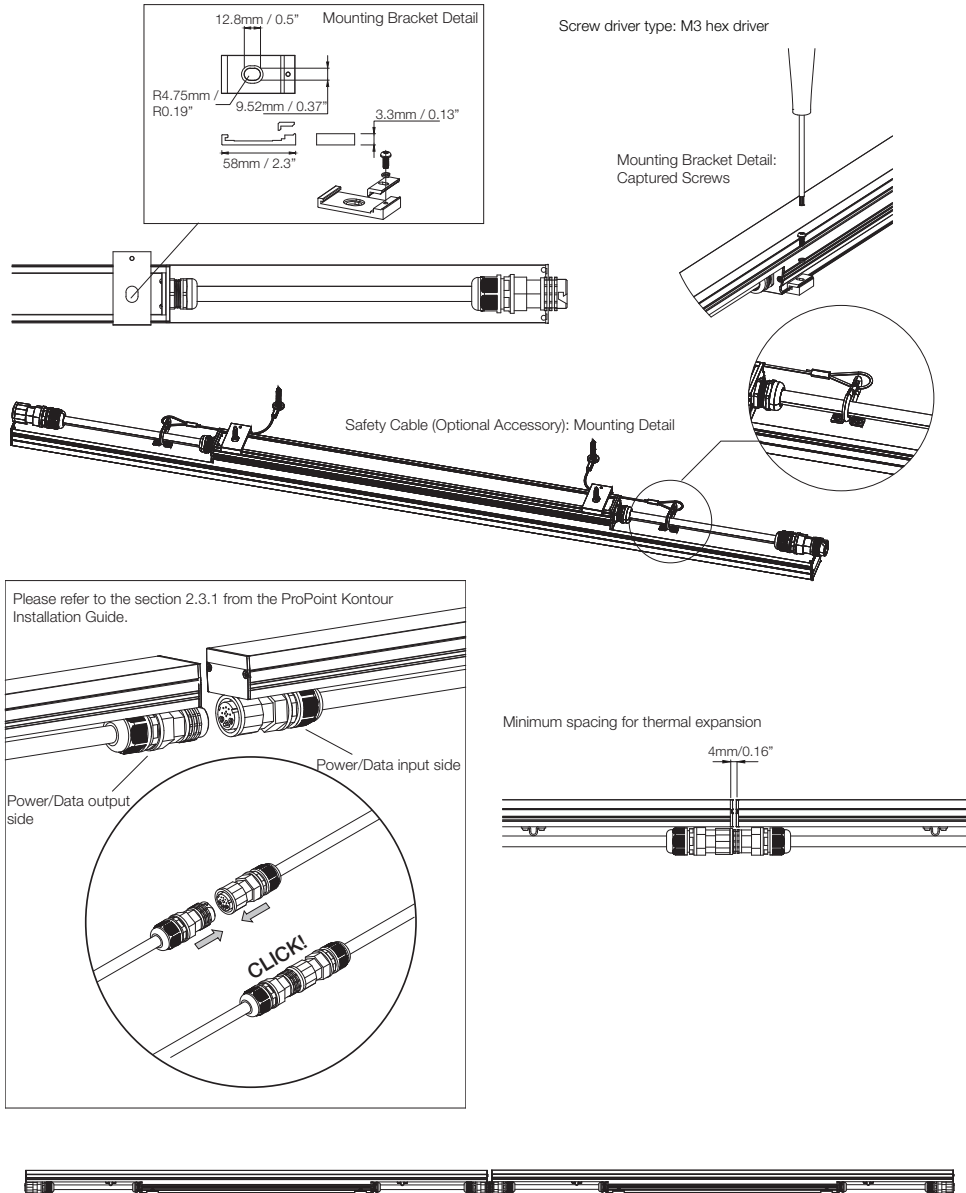
ProPoint Kontour Narrow RGBW

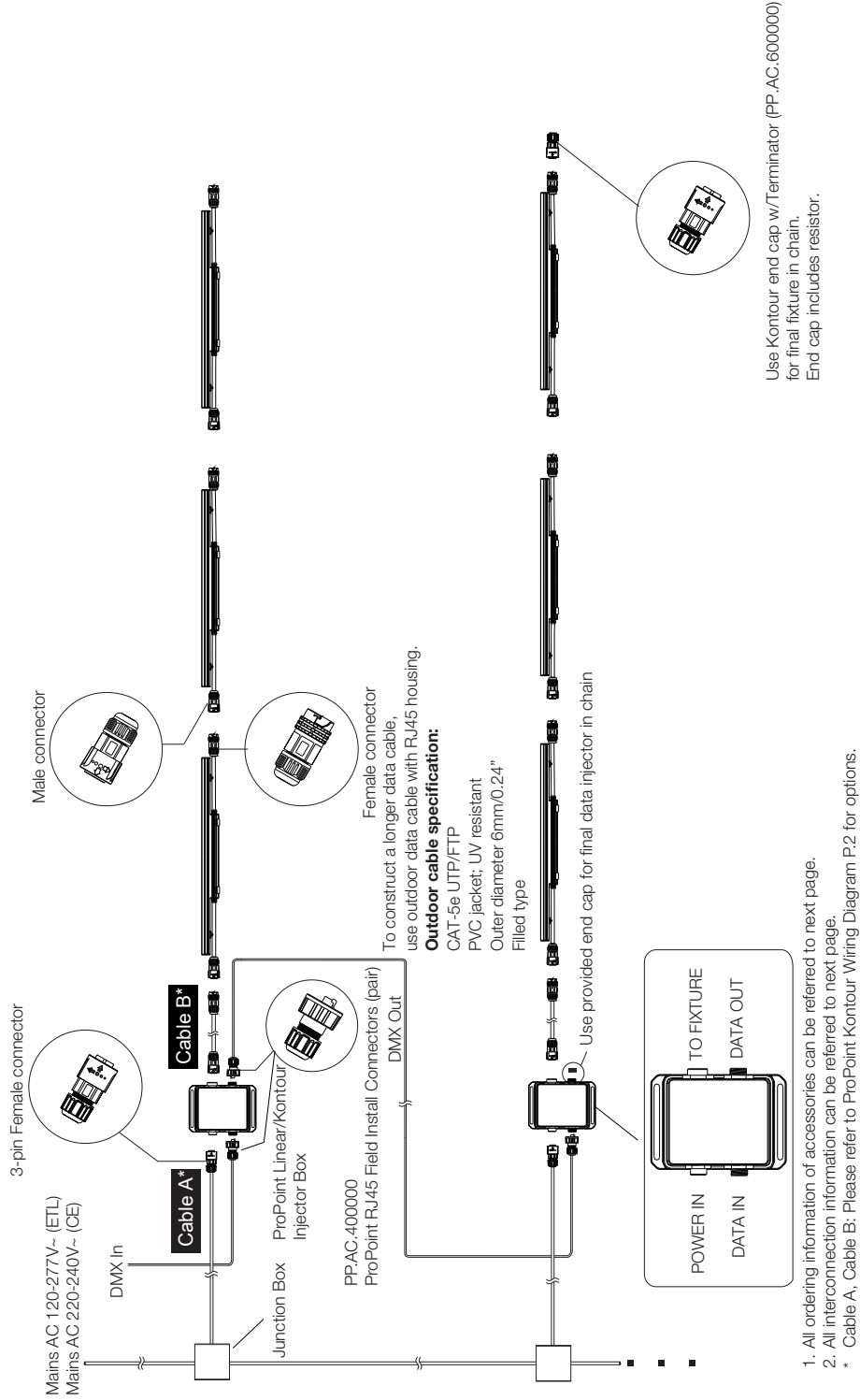
Dimensions



ProPoint Kontour Narrow RGBW

Mounting





ProPoint Kontour Narrow RGBW

System Diagram

Wiring Information Details

ProPoint Kontour Narrow -ETL

120V

Model	Power Consumption (Typ.)	Input Voltage	Max Connected Chain
300mm / 12"	4W	120V	432
600mm / 24"	8W	120V	216
1200mm / 48"	16W	120V	108
2400mm / 96"	32W	120V	54

220V-240V

Model	Power Consumption (Typ.)	Input Voltage	Max Connected Chain
300mm / 12"	4W	220-240V	512
600mm / 24"	8W	220-240V	400
1200mm / 48"	16W	220-240V	200
2400mm / 96"	32W	220-240V	100

277V

Model	Power Consumption (Typ.)	Input Voltage	Max Connected Chain
300mm / 12"	4W	277V	512
600mm / 24"	8W	277V	500
1200mm / 48"	16W	277V	250
2400mm / 96"	32W	277V	125

Accessories (ETL / CE)

Model No.	Description	Item Code
PP.AC.100001	PROPOINT LINEAR/KONTOUR INJECTOR BOX	AM374890055
PP.AC.100002	PROPOINT LINEAR/KONTOUR INJECTOR BOX BL	AM374900055
PP.AC.100003	PROPOINT LINEAR/KONTOUR INJECTOR BOX WT	AM374910055
PP.AC.600000	PP LIN/KON END CAP W/ TERM.	AM380550055
PP.AC.400000	PROPOINT RJ45 FIELD INSTALL CONNECTORS (PAIR)	AM380560055

Accessories (ETL)

Cable Type	Model No.	Description	Item Code
Cable A*	PP.A1.303000	3M PP LINEAR POWER INPUT CABLE ETL	AM374840155
Cable B*	KO.KA.610000	10M KONTOUR PWR/DATA INT CBL ETL	AM357520055
Cable B*	KO.KA.601000	1M KONTOUR PWR/DATA INT CBL ETL	AM357490055
Cable B*	KO.KA.602000	2M KONTOUR PWR/DATA INT CBL ETL	AM357500055
Cable B*	KO.KA.603000	3M KONTOUR PWR/DATA INT CBL ETL	AM357510055

* All cables come pre-wired with male / female connectors.

ProPoint Kontour Narrow RGBW

Ordering

Model Number

KXX	.	2	.	9	4	4	4	1	.	X	.	XX
Kontour Length	Width	Control	Color	CCT	Approbation	Lens	Finish	Pixel Config				
K1L: 1'	2: 46.5mm/1.8"	9: DMX	4: RGBW	4: RGBW	4: cETLus	1: Diffused Lens	1: Gray	01: 1PXL				
K2L: 2'							2: Black	02: 2PXL				
K4L: 4'							3: White	04: 4PXL				
K8L: 8'									08: 8PXL			

*Abbreviations in Description

WD: Wide NW: Narrow F: Flat BL: Black WT: White

Fixtures

Model No.	Description	Item Code
K1L.2.944411.01	PROPOINT KONTOUR F 12" NW RGBW 1PXL ETL	AM395290055
K2L.2.944411.01	PROPOINT KONTOUR F 24" NW RGBW 1PXL ETL	AM395310055
K2L.2.944411.02	PROPOINT KONTOUR F 24" NW RGBW 2PXL ETL	AM394740055
K4L.2.944411.01	PROPOINT KONTOUR F 48" NW RGBW 1PXL ETL	AM395330055
K4L.2.944411.04	PROPOINT KONTOUR F 48" NW RGBW 4PXL ETL	AM394760055
K8L.2.944411.01	PROPOINT KONTOUR F 96" NW RGBW 1PXL ETL	AM395350055
K8L.2.944411.08	PROPOINT KONTOUR F 96" NW RGBW 8PXL ETL	AM394780055
K1L.2.944412.01	PROPOINT KONTOUR F 12" NW RGBW 1PXL BL ETL	AM395370055
K2L.2.944412.01	PROPOINT KONTOUR F 24" NW RGBW 1PXL BL ETL	AM395390055
K2L.2.944412.02	PROPOINT KONTOUR F 24" NW RGBW 2PXL BL ETL	AM394800055
K4L.2.944412.01	PROPOINT KONTOUR F 48" NW RGBW 1PXL BL ETL	AM395410055
K4L.2.944412.04	PROPOINT KONTOUR F 48" NW RGBW 4PXL BL ETL	AM394820055
K8L.2.944412.01	PROPOINT KONTOUR F 96" NW RGBW 1PXL BL ETL	AM395430055
K8L.2.944412.08	PROPOINT KONTOUR F 96" NW RGBW 8PXL BL ETL	AM394840055
K1L.2.944413.01	PROPOINT KONTOUR F 12" NW RGBW 1PXL WT ETL	AM395450055
K2L.2.944413.01	PROPOINT KONTOUR F 24" NW RGBW 1PXL WT ETL	AM395470055
K2L.2.944413.02	PROPOINT KONTOUR F 24" NW RGBW 2PXL WT ETL	AM394860055
K4L.2.944413.01	PROPOINT KONTOUR F 48" NW RGBW 1PXL WT ETL	AM395490055
K4L.2.944413.04	PROPOINT KONTOUR F 48" NW RGBW 4PXL WT ETL	AM394880055
K8L.2.944413.01	PROPOINT KONTOUR F 96" NW RGBW 1PXL WT ETL	AM395510055
K8L.2.944413.08	PROPOINT KONTOUR F 96" NW RGBW 8PXL WT ETL	AM394900055

ProPoint Kontour Narrow RGBW

Ordering

Accessories (ETL / CE)

Model No.	Description	Item Code
PP.AC.100001	PROPOINT LINEAR/KONTOUR INJECTOR BOX	AM374890055
PP.AC.100002	PROPOINT LINEAR/KONTOUR INJECTOR BOX BL	AM374900055
PP.AC.100003	PROPOINT LINEAR/KONTOUR INJECTOR BOX WT	AM374910055
PP.AC.600000	PP LIN/KON END CAP W/ TERM.	AM380550055
PP.AC.400000	PROPOINT RJ45 FIELD INSTALL CONNECTORS (PAIR)	AM380560055

Accessories (ETL)

Model No.	Description	Item Code
PP. A1.303000	3M PP LINEAR POWER INPUT CABLE ETL	AM374840155
KO.KA.610000	10M KONTOUR PWR/DATA INT CBL ETL	AM357520055
KO.KA.601000	1M KONTOUR PWR/DATA INT CBL ETL	AM357490055
KO.KA.602000	2M KONTOUR PWR/DATA INT CBL ETL	AM357500055
KO.KA.603000	3M KONTOUR PWR/DATA INT CBL ETL	AM357510055

Accessories (Optional)

Model No.	Description	Item Code
KO.AA.900010	KONTOUR SAFETY CABLE 0.25M (10")	AM403000055

Our Brands

traxon e:cue

www.traxontechnologies.com | www.osram.us/traxon

©2020 TRAXON TECHNOLOGIES - AN OSRAM BUSINESS. ALL RIGHTS RESERVED. TRAXON™, TX CONNECT®, ARE TRADEMARKS OF TRAXON TECHNOLOGIES. U.S. PATENTS, E.U. PATENTS, JAPAN PATENTS, OTHER PATENTS PENDING. SPECIFICATIONS ARE SUBJECT TO CHANGE WITHOUT NOTICE.

OSRAM