

Project: \_\_\_\_\_  
 Type: \_\_\_\_\_



## Allegro Washer AC SW

The Allegro Washer AC SW is an intelligent, AC line powered high brightness luminaire family. The fixture is controllable via DMX512. The simplicity of the luminaire's topology means it can be easily daisy-chained to form long runs. Remote Device Management (RDM) circuits are built into each luminaire that enables extensive control and monitoring of the entire lighting installation.



Product Specifications					
	50W	100W	150W	200W	
Light Source	High power LEDs				
Color Range	2700K, 3000K, 4000K, 5700K				
Beam Angle	Native 5° with field-installable spread lens 10°, 30°, 55°, 80°				
Luminous Flux	3171-3687 lm	6342-7375 lm	9513-11062 lm	12684-14749 lm	
Efficacy	76-89 lm/W typ.				
Lumen Maintenance	L70 @25°C - 80,000hrs				
Cover Lens	Tempered glass cover				
Housing	Aluminium, powder coating				
Adjustment Options	135° vertical tilt; ±180° horizontal				
Dimensions (Ø x H x D)	Ø235 x 317 x 203mm 9.3" x 13.5" x 8.0"	Ø310 x 395 x 252mm 12.2" x 15.6" x 9.9"	Ø392 x 476 x 264mm 15.4" x 18.7" x 10.4"		
Weight	7.8kg/17.2lb	13.9kg/30.6lb	17.8kg/39.2lb	18kg/39.7lb	
Regulatory Listing & Safety Approval	CE, cETLus, IEC 60598-2-3, 3G ANSI C136.31 IK10	IK10	IK09	IK09	
Operating Temperature	-30°C to +50°C / -22°F to +122°F (-20°C / -4°F starting)				
Storage Temperature	-40°C to +70°C / -40°F to +158°F				
Environment	Outdoor (IP66), suitable for coastal environments				
Humidity	85%, non-condensing				

### Electrical Specifications

Input Voltage	120V - 277V AC nominal			
Power Consumption	50W	100W	150W	200W
Power Factor	≥ 0.9			

### System Specifications

Power	AC line
Control	DMX512, Remote Device Management (RDM) DynaMood® ; BinOne · BoostOne · BeamOne · AddressOne
Power Supply	Built-in
Fixture Interconnection	Refer to System Diagram

**LED CHARACTERISTICS** Because LEDs are semiconductor devices, their performances are subject to inherent variability commonly found in semiconductor industry. To improve consistency in performance across the same product, LED manufacturers "sort" LEDs into bins according to different preset parameters, such as forward driving voltage, illumination, etc. Whereas binning is a sorting function, it is not a correction process. Inherent variability in the manufacturing process results always in different binning distributions according to different production lots. Traxon uses automatically binned LEDs on its products, thereby minimizing output variations within the model range.

As with all electronic devices, LED output degrades over time – a term called lumen depreciation. This also explains why it is nearly impossible to expect photometric performances of two LED products with different service life spans to be the same. The rate of LED degrade is a complicate function of many factors such as operating efficiency, duration of continuous operation, and more significantly, environmental conditions (ambient temperature for example). If allowed working under optimal operating temperature range and with good ventilation, LED devices enjoy long service lives over conventional light sources. When using/installing LED devices, care should be taken to ensure that the devices will operate within the operating conditions specified in respective product literature.

Lumen measurement complies with LM-79-08 standard.  
 Lumen maintenance is calculated based on LM-80 compliant measurement.

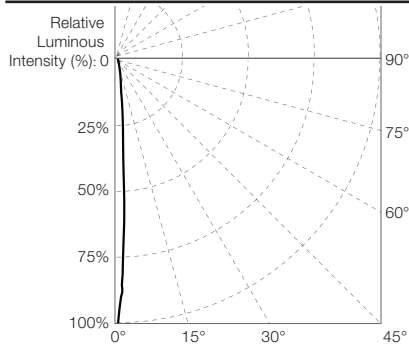
[www.traxontechnologies.com](http://www.traxontechnologies.com) | [www.osram.us/traxon](http://www.osram.us/traxon)

©2020 TRAXON TECHNOLOGIES - AN OSRAM BUSINESS. ALL RIGHTS RESERVED. TRAXON™, TX CONNECT®, ARE TRADEMARKS OF TRAXON TECHNOLOGIES. U.S. PATENTS, E.U. PATENTS, JAPAN PATENTS, OTHER PATENTS PENDING. SPECIFICATIONS ARE SUBJECT TO CHANGE WITHOUT NOTICE.

### Source Specifications

Optics 5°

### Candela Distribution



### Light Output

Color	Luminous Flux (lm)	Candela Distribution at 100%	Efficacy (lm/W)
<b>50W</b>			
2700K	2953	193601	71
3000K	3182	208644	77
4000K	3687	241777	89
5700K	3687	241777	89
<b>100W</b>			
2700K	5905	387201	71
3000K	6364	417288	77
4000K	7375	483553	89
5700K	7375	483553	89
<b>150W</b>			
2700K	8858	580802	71
3000K	9546	625932	77
4000K	11062	725330	89
5700K	11062	725330	89
<b>200W</b>			
2700K	11810	774403	71
3000K	12728	834576	77
4000K	14749	967106	89
5700K	14749	967106	89

### Illuminance at a Distance

	Center beam Lux/klm	Beam width (m) H
mm	71	0.80m
mm	185	1.61m
mm	8	2.41m
mm	46	3.21m
mm	30	4.02m
mm	21	4.82m
70m	15	5.62m

● Horiz. Spread: 5.0°

For fc divide by 10.7

For feet multiply by 3.28

IES and LDT files are available for download from the Traxon website.

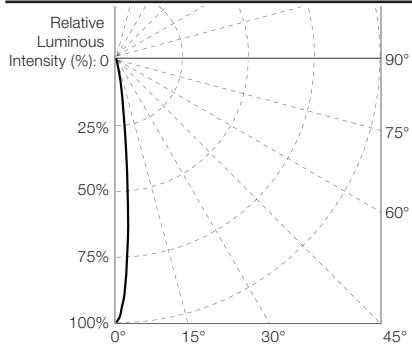
[www.traxontechnologies.com](http://www.traxontechnologies.com) | [www.osram.us/traxon](http://www.osram.us/traxon)

©2020 TRAXON TECHNOLOGIES - AN OSRAM BUSINESS. ALL RIGHTS RESERVED. TRAXON™, TX CONNECT®, ARE TRADEMARKS OF TRAXON TECHNOLOGIES. U.S. PATENTS, E.U. PATENTS, JAPAN PATENTS, OTHER PATENTS PENDING. SPECIFICATIONS ARE SUBJECT TO CHANGE WITHOUT NOTICE.

### Source Specifications

Optics 10°

### Candela Distribution



### Light Output

Color	Luminous Flux (lm)	Candela Distribution at 100%	Efficacy (lm/W)
<b>50W</b>			
2700K	2628	63330	63
3000K	2832	68251	68
4000K	3282	79089	79
5700K	3282	79089	79
<b>100W</b>			
2700K	5256	126660	63
3000K	5664	136501	68
4000K	6563	158178	79
5700K	6563	158178	79
<b>150W</b>			
2700K	7883	189990	63
3000K	8496	204752	68
4000K	9845	237267	79
5700K	9845	237267	79
<b>200W</b>			
2700K	10511	253319	63
3000K	11328	273003	68
4000K	13127	316356	79
5700K	13127	316356	79

### Illuminance at a Distance

	Center beam Lux/klm	Beam width (m) H
mm	99	1.71m
mm	62	3.43m
mm	28	5.14m
mm	16	6.86m
mm	10	8.m
mm	7	10.29m

● Horiz.Spread: .0°

For fc divide by 10.7

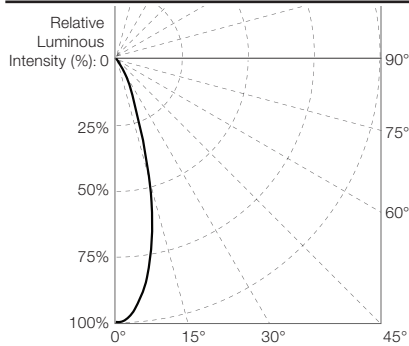
For feet multiply by 3.28

IES and LDT files are available for download from the Traxon website.

### Source Specifications

Optics 30°

### Candela Distribution



### Light Output

Color	Luminous Flux (lm)	Candela Distribution at 100%	Efficacy (lm/W)
<b>50W</b>			
2700K	2628	8672	63
3000K	2832	9346	68
4000K	3282	10830	79
5700K	3282	10830	79
<b>100W</b>			
2700K	5256	17343	63
3000K	5664	18691	68
4000K	6563	21659	79
5700K	6563	21659	79
<b>150W</b>			
2700K	7883	26015	63
3000K	8496	28037	68
4000K	9845	32489	79
5700K	9845	32489	79
<b>200W</b>			
2700K	10511	34687	63
3000K	11328	37382	68
4000K	13127	43318	79
5700K	13127	43318	79

### Illuminance at a Distance

	Center beam Lux/klm	Beam width (m) H
9m	40	4.72m
mm	10	9.m
mm	4	14.17m
mm	3	.89m
mm	2	23.61m

● Horiz. Spread: 29.4°  
For feet multiply by 3.28

For fc divide by 10.7

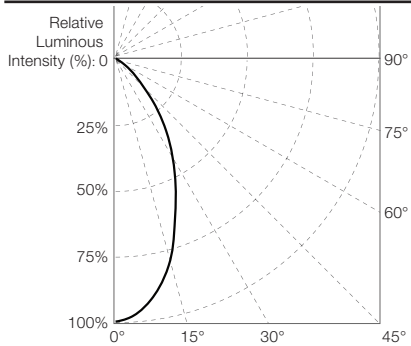
IES and LDT files are available for download from the Traxon website.



### Source Specifications

Optics 55°

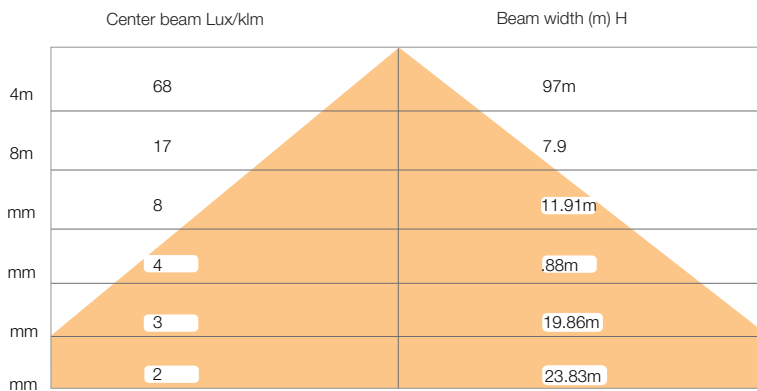
### Candela Distribution



### Light Output

Color	Luminous Flux (lm)	Candela Distribution at 100%	Efficacy (lm/W)
<b>50W</b>			
2700K	2628	2864	63
3000K	2832	3087	68
4000K	3282	3577	79
5700K	3282	3577	79
<b>100W</b>			
2700K	5256	5729	63
3000K	5664	6174	68
4000K	6563	7154	79
5700K	6563	7154	79
<b>150W</b>			
2700K	7883	8593	63
3000K	8496	9261	68
4000K	9845	10731	79
5700K	9845	10731	79
<b>200W</b>			
2700K	10511	11457	63
3000K	11328	12347	68
4000K	13127	14308	79
5700K	13127	14308	79

### Illuminance at a Distance



● Horiz.Spread: .8°

For fc divide by 10.7

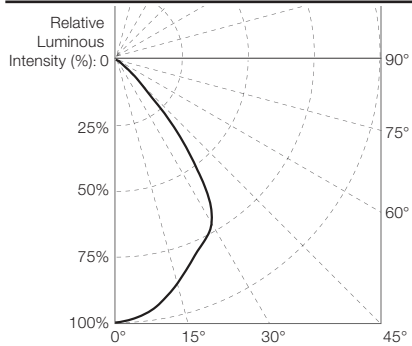
For feet multiply by 3.28

IES and LDT files are available for download from the Traxon website.

### Source Specifications

Optics 80°

### Candela Distribution



### Light Output

Color	Luminous Flux (lm)	Candela Distribution at 100%	Efficacy (lm/W)
<b>50W</b>			
2700K	2539	1930	61
3000K	2737	2080	66
4000K	3171	2410	76
5700K	3171	2410	76
<b>100W</b>			
2700K	5078	3860	61
3000K	5473	4160	66
4000K	6342	4820	76
5700K	6342	4820	76
<b>150W</b>			
2700K	7618	5789	61
3000K	8210	6239	66
4000K	9513	7230	76
5700K	9513	7230	76
<b>200W</b>			
2700K	10157	7719	61
3000K	10946	8139	66
4000K	12684	9640	76
5700K	12684	9640	76

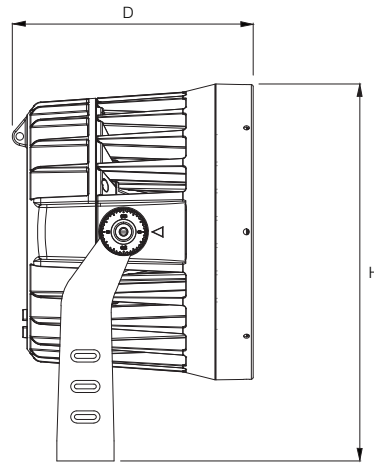
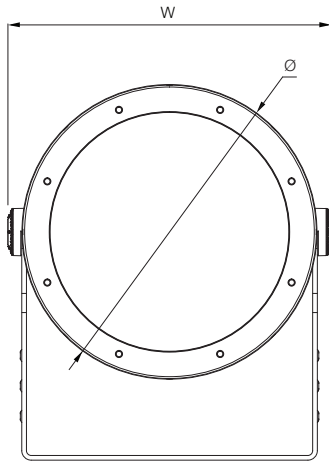
### Illuminance at a Distance

	Center beam Lux/klm	Beam width (m) H
2m	192	3.04m
4m	48	6.07m
6m	21	9.0m
8m	12	12.14m
mm	8	15.18m
mm	5	18.22m

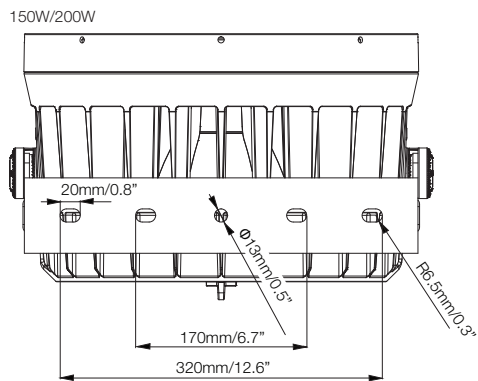
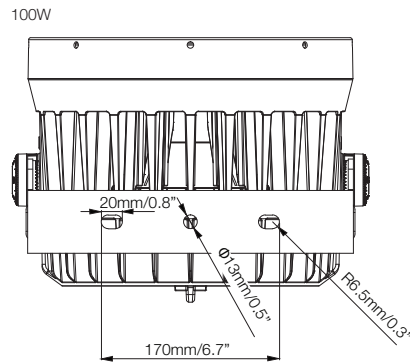
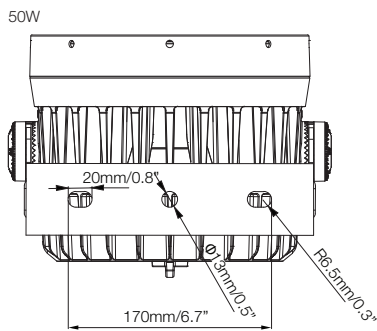
● Horiz. Spread: 74.4°  
For feet multiply by 3.28

For fc divide by 10.7

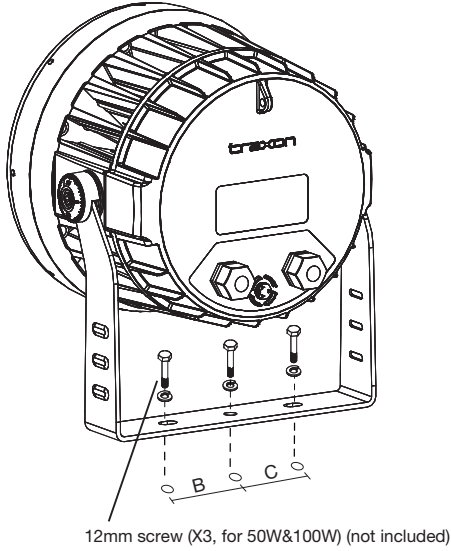
IES and LDT files are available for download from the Traxon website.



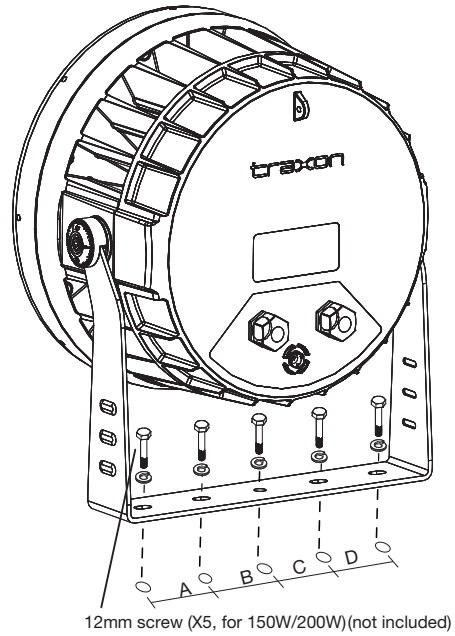
	50W	100W	150W/200W
Ø	235mm/9.3"	310mm/12.2"	392mm/15.4"
W	270mm/10.6"	340mm/13.4"	420mm/16.5"
H	317mm/12.5"	395mm/15.6"	476mm/18.7"
D	203mm/8.0"	252mm/9.9"	264mm/10.4"



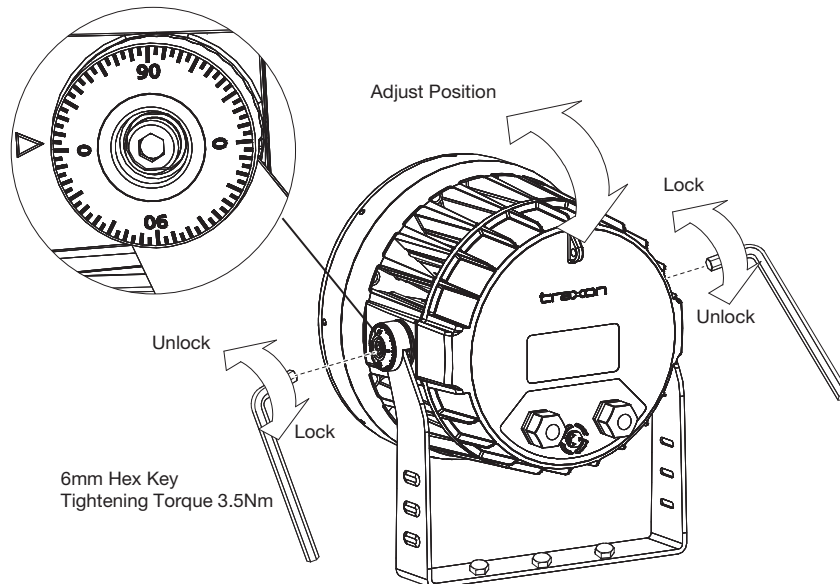
50W&100W



150W&200W



Dimension	A	B	C	D
50W		75mm/2.95"	75mm/2.95"	
100W		75mm/2.95"	75mm/2.95"	
150W	75mm/2.95"	75mm/2.95"	75mm/2.95"	75mm/2.95"
200W	75mm/2.95"	75mm/2.95"	75mm/2.95"	75mm/2.95"

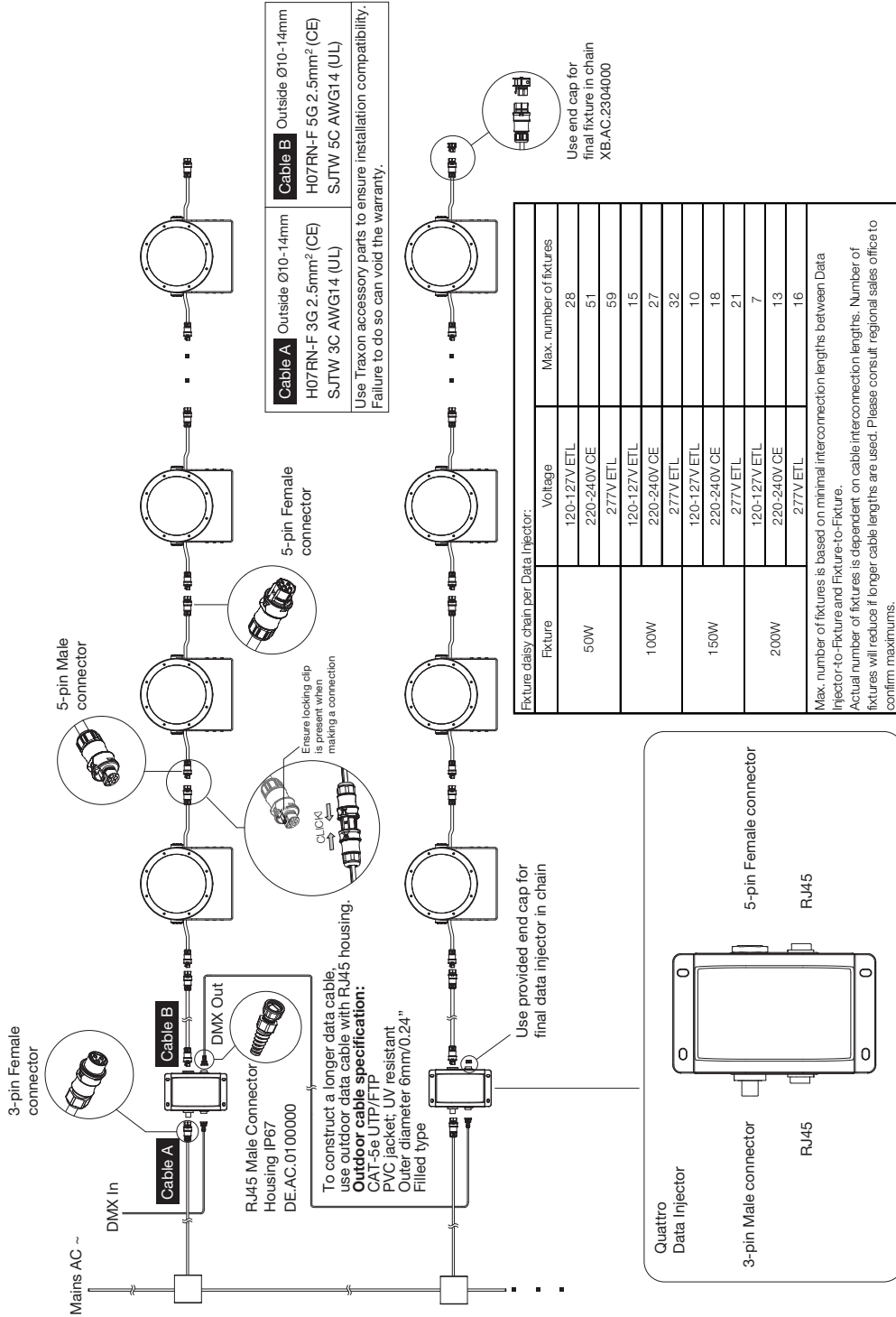


⚠ Only turn enough to unlock  
Do not unscrew the hex screw from fixture

⚠ 1. Tilt the head slightly to mount the bracket.  
Only turn enough to unlock.  
2. Do not unscrew the hex screw from fixture.

[www.traxontechnologies.com](http://www.traxontechnologies.com)

©2020 TRAXON TECHNOLOGIES - AN OSRAM BUSINESS. ALL RIGHTS RESERVED. TRAXON™, TX CONNECT®, ARE TRADEMARKS OF TRAXON TECHNOLOGIES. U.S. PATENTS, E.U. PATENTS, JAPAN PATENTS, OTHER PATENTS PENDING. SPECIFICATIONS ARE SUBJECT TO CHANGE WITHOUT NOTICE.



### Luminaire CE Models

Model No.	Description	Item Code
XB.W6.83A0120	AL WASHER AC 50 2700K DMX 5deg CE 220-240V AC	AM348110055
XB.W6.8370120	AL WASHER AC 50 3000K DMX 5deg CE 220-240V AC	AM328740055
XB.W6.8390120	AL WASHER AC 50 4000K DMX 5deg CE 220-240V AC	AM348200055
XB.W6.8360120	AL WASHER AC 50 5700K DMX 5deg CE 220-240V AC	AM348150055
XB.W7.83A0120	AL WASHER AC 100 2700K DMX 5deg CE 220-240V AC	AM348120055
XB.W7.8370120	AL WASHER AC 100 3000K DMX 5deg CE 220-240V AC	AM328750055
XB.W7.8390120	AL WASHER AC 100 4000K DMX 5deg CE 220-240V AC	AM348210055
XB.W7.8360120	AL WASHER AC 100 5700K DMX 5deg CE 220-240V AC	AM348230055
XB.W8.83A0120	AL WASHER AC 150 2700K DMX 5deg CE 220-240V AC	AM348130055
XB.W8.8370120	AL WASHER AC 150 3000K DMX 5deg CE 220-240V AC	AM328760055
XB.W8.8390120	AL WASHER AC 150 4000K DMX 5deg CE 220-240V AC	AM348220055
XB.W8.8360120	AL WASHER AC 150 5700K DMX 5deg CE 220-240V AC	AM348250055
XB.W9.83A0120	AL WASHER AC 200 2700K DMX 5deg CE 220-240V AC	AM348140055
XB.W9.8370120	AL WASHER AC 200 3000K DMX 5deg CE 220-240V AC	AM328770055
XB.W9.8390120	AL WASHER AC 200 4000K DMX 5deg CE 220-240V AC	AM348240055
XB.W9.8360120	AL WASHER AC 200 5700K DMX 5deg CE 220-240V AC	AM348270055

### Field-Installable Spread Lens

Model No.	Description	Item Code
N/A	ALLEGRO WASHER 10X10deg SPREAD LENS for 50W	AM331630055
N/A	ALLEGRO WASHER 30X30deg SPREAD LENS for 50W	AM331640055
N/A	ALLEGRO WASHER 55X55deg SPREAD LENS for 50W	AM331650055
N/A	ALLEGRO WASHER 80X80deg SPREAD LENS for 50W	AM331660055
N/A	ALLEGRO WASHER 60X10deg SPREAD LENS for 50W	AM331680055
N/A	ALLEGRO WASHER 60X30deg SPREAD LENS for 50W	AM331690055
N/A	ALLEGRO WASHER 10X10deg SPREAD LENS for 100W	AM331700055
N/A	ALLEGRO WASHER 30X30deg SPREAD LENS for 100W	AM331710055
N/A	ALLEGRO WASHER 55X55deg SPREAD LENS for 100W	AM331720055
N/A	ALLEGRO WASHER 80X80deg SPREAD LENS for 100W	AM331780055
N/A	ALLEGRO WASHER 60X10deg SPREAD LENS for 100W	AM331790055
N/A	ALLEGRO WASHER 60X30deg SPREAD LENS for 100W	AM331800055
N/A	ALLEGRO WASHER 10X10deg SPREAD LENS for 150W/200W	AM331820055
N/A	ALLEGRO WASHER 30X30deg SPREAD LENS for 150W/200W	AM331830055
N/A	ALLEGRO WASHER 55X55deg SPREAD LENS for 150W/200W	AM331840055
N/A	ALLEGRO WASHER 80X80deg SPREAD LENS for 150W/200W	AM331850055
N/A	ALLEGRO WASHER 60X10deg SPREAD LENS for 150W/200W	AM331860055
N/A	ALLEGRO WASHER 60X30deg SPREAD LENS for 150W/200W	AM331870055



## Allegro Washer AC SW

Ordering

### CE Accessories

Model No.	Description	Item Code
XB.AC.4000000	QUATTRO AC XB DATA INJECTOR	AB389160055
XE.ID.0204000	INTER AC CABLE 5W 2.5MM 2M	AB389130055
XE.ID.0074000	INTER AC CABLE 5W 2.5MM 0.7M	AB389100055
XE.IF.0104000	PWR AC CABLE EU 3W 2.5MM 1M	AB389060055
XB.AC.4006000	3PIN INSTALL CONNECTOR F 10-14	AB389040035
XB.AC.2302000	5PIN INSTALL CONNECTOR MALE	AA438580235
XB.AC.2303000	5PIN INSTALL CONNECTOR FEMALE	AA438570235
XB.AC.2304000	5PIN CONNECTOR END CAP FEMALE	AA508870335

### Luminaire ETL Models

Model No.	Description	Item Code
XB.W6.83A0110	AL WASHER AC 50 2700K DMX 5deg ETL 120/277V AC	AM348160055
XB.W6.8370110	AL WASHER AC 50 3000K DMX 5deg ETL 120/277V AC	AM328780055
XB.W6.8390110	AL WASHER AC 50 4000K DMX 5deg ETL 120/277V AC	AM348260055
XB.W6.8360110	AL WASHER AC 50 5700K DMX 5deg ETL 120/277V AC	AM348310055
XB.W7.83A0110	AL WASHER AC 100 2700K DMX 5deg ETL 120/277V AC	AM348170055
XB.W7.8370110	AL WASHER AC 100 3000K DMX 5deg ETL 120/277V AC	AM328790055
XB.W7.8390110	AL WASHER AC 100 4000K DMX 5deg ETL 120/277V AC	AM348280055
XB.W7.8360110	AL WASHER AC 100 5700K DMX 5deg ETL 120/277V AC	AM348320055
XB.W8.83A0110	AL WASHER AC 150 2700K DMX 5deg ETL 120/277V AC	AM348180055
XB.W8.8370110	AL WASHER AC 150 3000K DMX 5deg ETL 120/277V AC	AM328800055
XB.W8.8390110	AL WASHER AC 150 4000K DMX 5deg ETL 120/277V AC	AM348290055
XB.W8.8360110	AL WASHER AC 150 5700K DMX 5deg ETL 120/277V AC	AM348350055
XB.W9.83A0110	AL WASHER AC 200 2700K DMX 5deg ETL 120/277V AC	AM348190055
XB.W9.8370110	AL WASHER AC 200 3000K DMX 5deg ETL 120/277V AC	AM328810055
XB.W9.8390110	AL WASHER AC 200 4000K DMX 5deg ETL 120/277V AC	AM348300055
XB.W9.8360110	AL WASHER AC 200 5700K DMX 5deg ETL 120/277V AC	AM348360055

### Field-Installable Spread Lens

Model No.	Description	Item Code
N/A	ALLEGRO WASHER 10X10deg SPREAD LENS for 50W	AM331630055
N/A	ALLEGRO WASHER 30X30deg SPREAD LENS for 50W	AM331640055
N/A	ALLEGRO WASHER 55X55deg SPREAD LENS for 50W	AM331650055
N/A	ALLEGRO WASHER 80X80deg SPREAD LENS for 50W	AM331660055
N/A	ALLEGRO WASHER 60X10deg SPREAD LENS for 50W	AM331680055
N/A	ALLEGRO WASHER 60X30deg SPREAD LENS for 50W	AM331690055
N/A	ALLEGRO WASHER 10X10deg SPREAD LENS for 100W	AM331700055
N/A	ALLEGRO WASHER 30X30deg SPREAD LENS for 100W	AM331710055
N/A	ALLEGRO WASHER 55X55deg SPREAD LENS for 100W	AM331720055
N/A	ALLEGRO WASHER 80X80deg SPREAD LENS for 100W	AM331780055
N/A	ALLEGRO WASHER 60X10deg SPREAD LENS for 100W	AM331790055
N/A	ALLEGRO WASHER 60X30deg SPREAD LENS for 100W	AM331800055
N/A	ALLEGRO WASHER 10X10deg SPREAD LENS for 150W/200W	AM331820055
N/A	ALLEGRO WASHER 30X30deg SPREAD LENS for 150W/200W	AM331830055
N/A	ALLEGRO WASHER 55X55deg SPREAD LENS for 150W/200W	AM331840055
N/A	ALLEGRO WASHER 80X80deg SPREAD LENS for 150W/200W	AM331850055
N/A	ALLEGRO WASHER 60X10deg SPREAD LENS for 150W/200W	AM331860055
N/A	ALLEGRO WASHER 60X30deg SPREAD LENS for 150W/200W	AM331870055



ETL Accessories

Model No.	Description	Item Code
XB.AC.4000000	QUATTRO AC XB DATA INJECTOR 100-277V ETL/CE	AB389160055
XB.AC.2302000	5-pin Field Installable AC Connector Plug IP66	AA438580235
XB.AC.2303000	5-pin Field Installable AC Connector Socket IP66	AA438570235
XB.AC.3106000	3-pin Field Installable AC Connector Socket IP66	AA792890035
	XB 5C-AWG14 CABLE AC US 10M/32.8ft	AA639240054
	XB 5C-AWG14 CABLE AC US 50M/164ft	AA639250054
	XB 5C-AWG14 CABLE AC US 100M/328ft	AA569430155
	XB 3C-AWG14 CABLE AC US 10M/32.8ft	AA639270054
	XB 3C-AWG14 CABLE AC US 50M/164ft	AA639260054
	XB 3C-AWG14 CABLE AC US 100M/328ft	AA556630155
DE.AC.0100000	RJ45 Male Connector Housing IP67	AA556100155
XB.AC.2304000	5-pin Connector Socket End Cap IP66	AA508870335

Our Brands



[www.traxontechnologies.com](http://www.traxontechnologies.com) | [www.osram.us/traxon](http://www.osram.us/traxon)



©2020 TRAXON TECHNOLOGIES - AN OSRAM BUSINESS. ALL RIGHTS RESERVED. TRAXON™, TX CONNECT®, ARE TRADEMARKS OF TRAXON TECHNOLOGIES. U.S. PATENTS, E.U. PATENTS, JAPAN PATENTS, OTHER PATENTS PENDING. SPECIFICATIONS ARE SUBJECT TO CHANGE WITHOUT NOTICE.