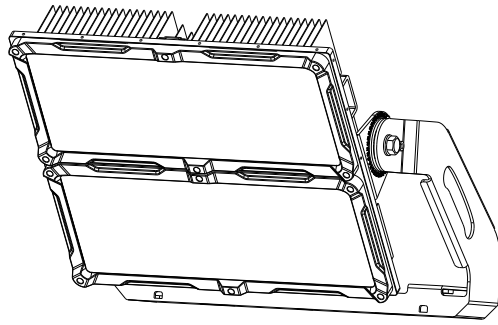
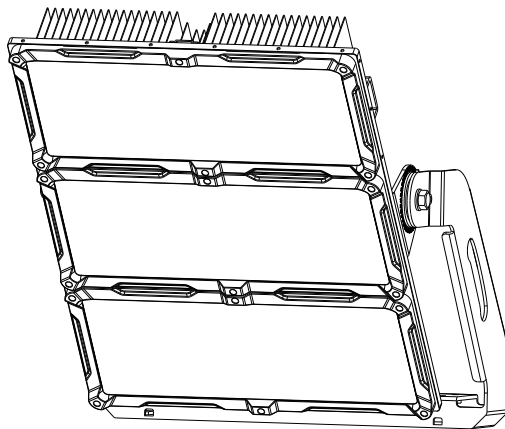
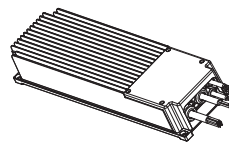


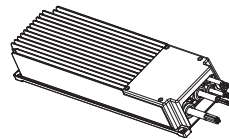
PURSOS® SHP ESSENCE FLOODLIGHT



800W/1000W/1200W



1350W/1500W/1800W



- Please read instruction carefully before assembling and installation
在您組裝產品前請仔細閱讀本說明書
在您組裝產品前請仔細閱讀本說明書
- Please keep instruction as reference in the future
請您保留本說明書作為日後參考
請您保留本說明書作為日後參考



OSRAM

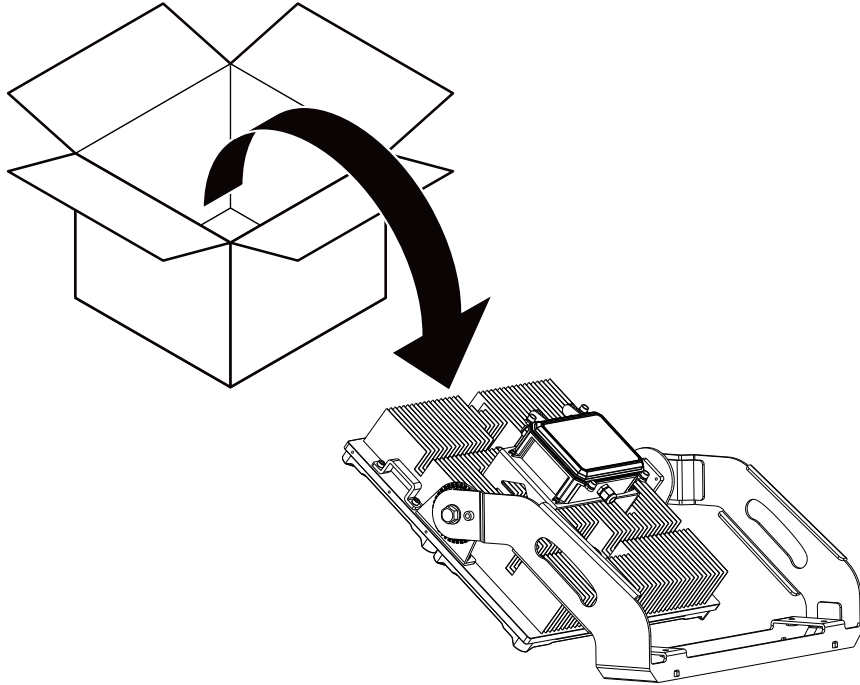
TRAXON | e²cue

MEMBER OF PROSPERITY GROUP

www.traxon-ecue.com

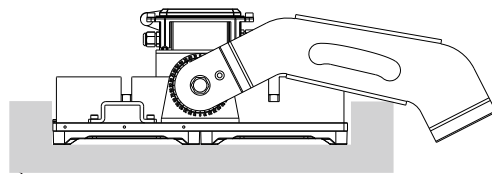
PURSOS® SHP ESSENCE FLOODLIGHT

Packaging content | 包裝內容 | 包裝內容



In order to avoid being crushed, please don't let the lens face down

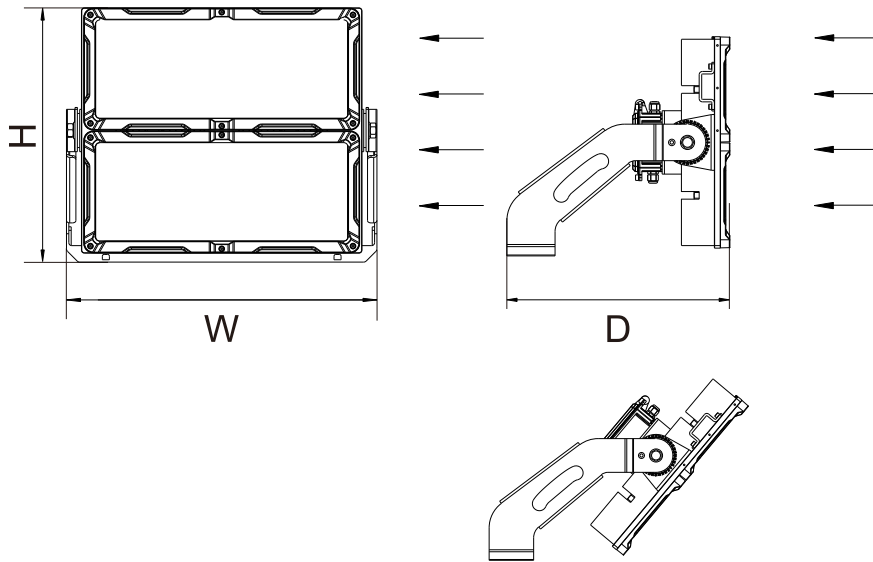
请不要把透镜面朝下放置，以避免压坏透镜
请不要把透镜面朝下放置，以避免压坏透镜



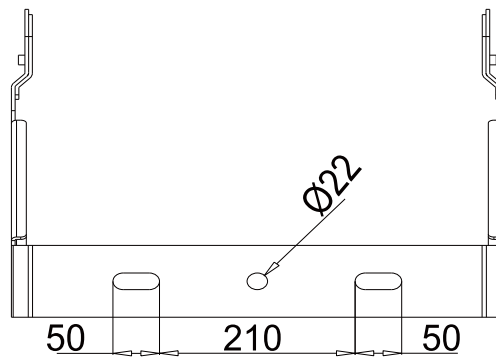
Honeycomb paper
蜂窝纸
蜂窝纸

PURSOS® SHP ESSENCE FLOODLIGHT

Overall picture | 整体图 | 整體圖



Bracket size | 支架尺寸 | 支架尺寸

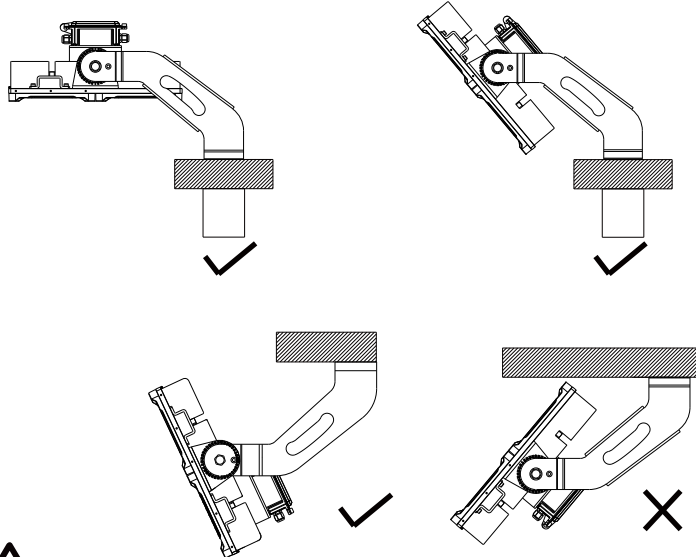


PURSOS® SHP ESSENCE FLOODLIGHT

Item/ 型号/ 型號	Wattage/ 功率/ 功率 (W)	Voltage/ 电压/ 電壓 (V)	W (mm)	H (mm)	D (mm)	Weight/ 重量/ 重量 (kg)	Maximum projected area/ 受风面积/受風面積 (m ²)	
							Front/ 正面/正面	Side/ 侧面/侧面
On-Off / DIM Version								
PSS SHP ES 800W	800	220-240	528	417	439	23	0.327	0.088
PSS SHP ES 1000W	1000	220-240	528	417	439	23	0.327	0.088
PSS SHP ES 1200W	1200	220-240	528	417	439	23	0.327	0.088
PSS SHP ES 1350W	1350	220-240	528	625	454	32	0.429	0.199
PSS SHP ES 1500W	1500	220-240	528	625	454	32	0.429	0.199
PSS SHP ES 1800W	1800	220-240	528	625	454	32	0.429	0.199
DMX-RDM / DALI 2 Version								
PSS SHP ES 800W	800	220-400	528	417	439	21	0.327	0.088
PSS SHP ES 1000W	1000	220-400	528	417	439	23	0.327	0.088
PSS SHP ES 1200W	1200	220-400	528	417	439	23	0.327	0.088
PSS SHP ES 1350W	1350	220-400	528	625	454	32	0.429	0.199
PSS SHP ES 1500W	1500	220-400	528	625	454	32	0.429	0.199
PSS SHP ES 1800W	1800	220-400	528	625	454	32	0.429	0.199

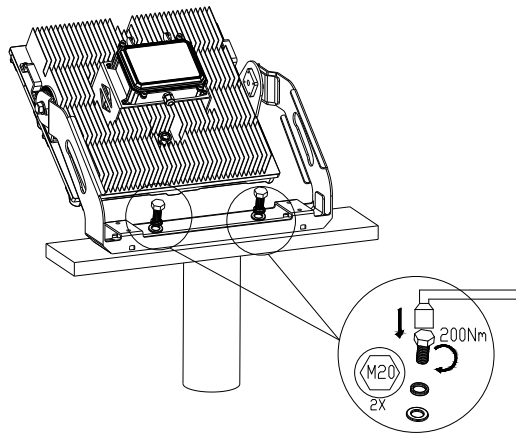
PURSOS® SHP ESSENCE FLOODLIGHT

Installation | 灯具安装 | 燈具安裝



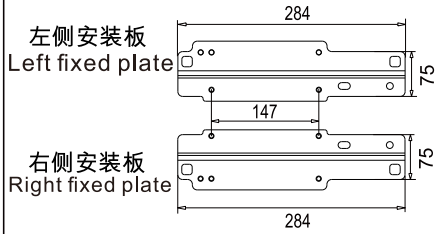
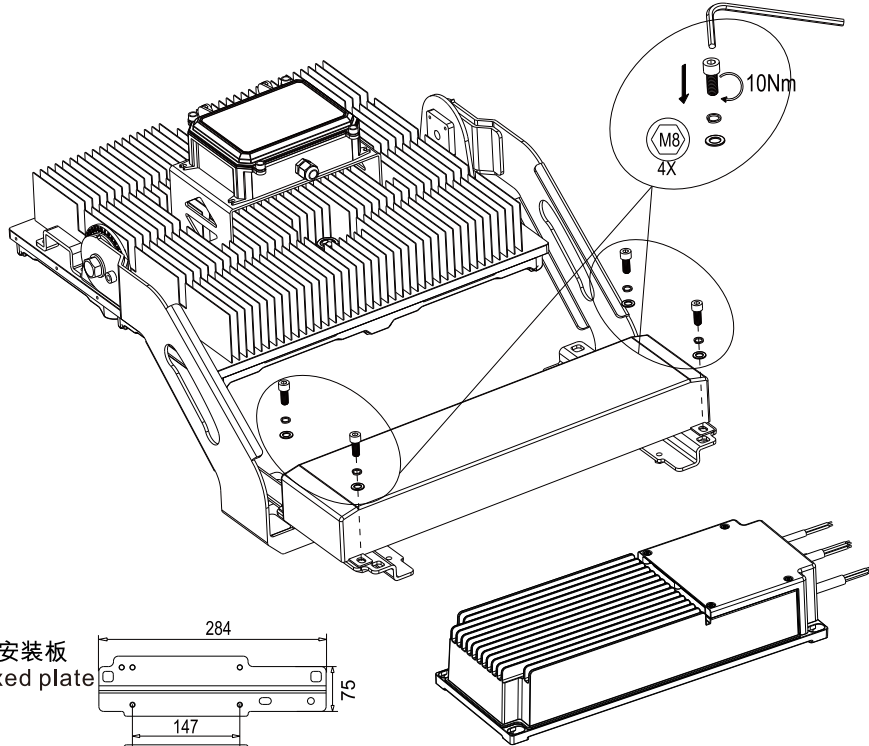
Bracket reversed/支架需要反裝/支架需要反裝

A Bracket fixation | 支架固定 | 支架固定



PURSOS® SHP ESSENCE FLOODLIGHT

B1 Integrated installation | 灯具一体化安装 | 燈具一體化安裝



Accessories/配件/配件

Only for DMX-RDM / DALI 2 version, On-Off / DIM version doesn't need extra cable.

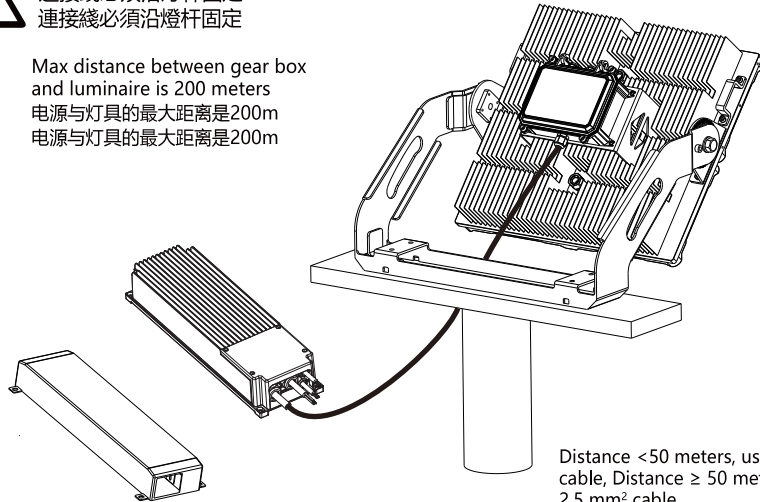
ITEM	4x1.5mm ²	5x1.5mm ²	Fixed plate	Cable type	Remark
800W/1000W/1200W	1 meter	/	1 SET	Rubber thread H07RN-F / above	To be ordered seperately / 配件需要额外 订购
1500W/1600W/1800W	/	1 meter	1 SET		

B2 Remote installation | 灯具分体安装 | 燈具分體安裝



Cable must be fixed along the pole
 连接线必须沿灯杆固定
 連接線必須沿燈杆固定

Max distance between gear box
 and luminaire is 200 meters
 电源与灯具的最大距离是200m
 电源与灯具的最大距离是200m



Distance < 50 meters, use 1.5mm²
 cable, Distance ≥ 50 meters, use
 2.5 mm² cable
 当距离小于50米, 使用1.5mm²线
 材, 当距离大于或等于50米, 使用
 2.5mm²线材
 當距離小於50米, 使用1.5mm²線
 材, 當距離大於或等於50米, 使用
 2.5mm²線材

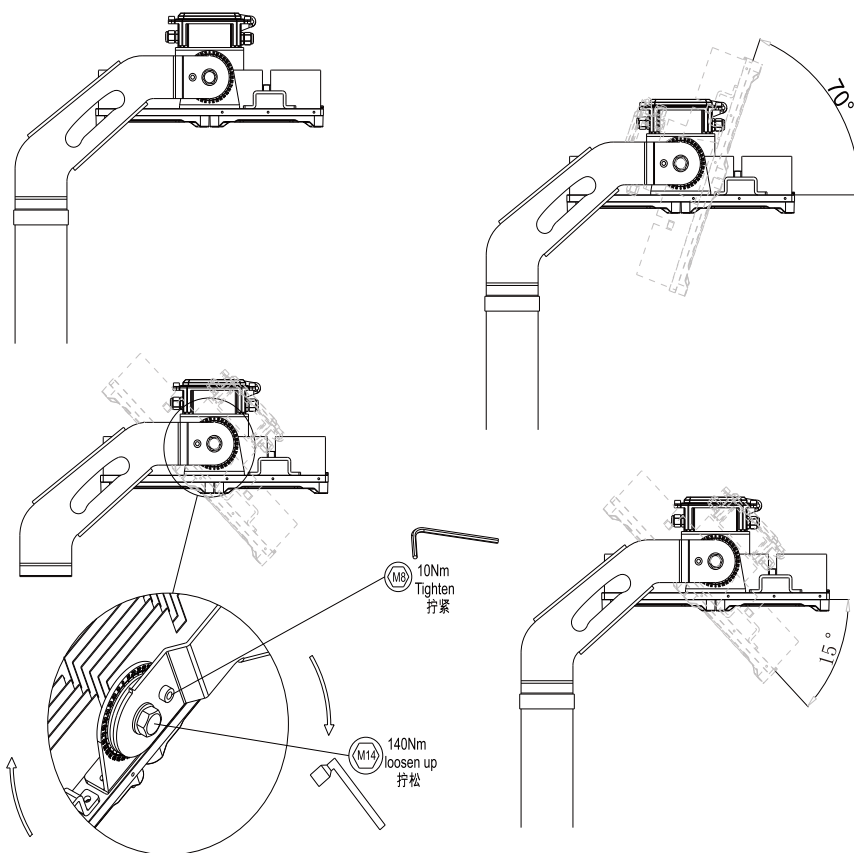
Accessories/配件/配件

For On-Off / DIM Version

ITEM	2x1.5mm ² 2x2.5mm ²	3x1.5mm ² 3x2.5mm ²	Cable type	Remark
800W/1000W/1200W	/	1 pcs	Rubber thread H07RN-F / above	To be ordered separately according to site require- ments/线材需要根据现场 要求的长度额外订购
1350W/1500W/1800W	1 pcs	1 pcs		
For DMX-RDM / DALI 2 Version				
ITEM	4x1.5mm ² 4x2.5mm ²	5x1.5mm ² 5x2.5mm ²	Cable type	Remark
800W/1000W/1200W	1 pcs	/	Rubber thread H07RN-F / above	To be ordered separately according to site require- ments/线材需要根据现场 要求的长度额外订购
1350W/1500W/1800W	/	1 pcs		

PURSOS® SHP ESSENCE FLOODLIGHT

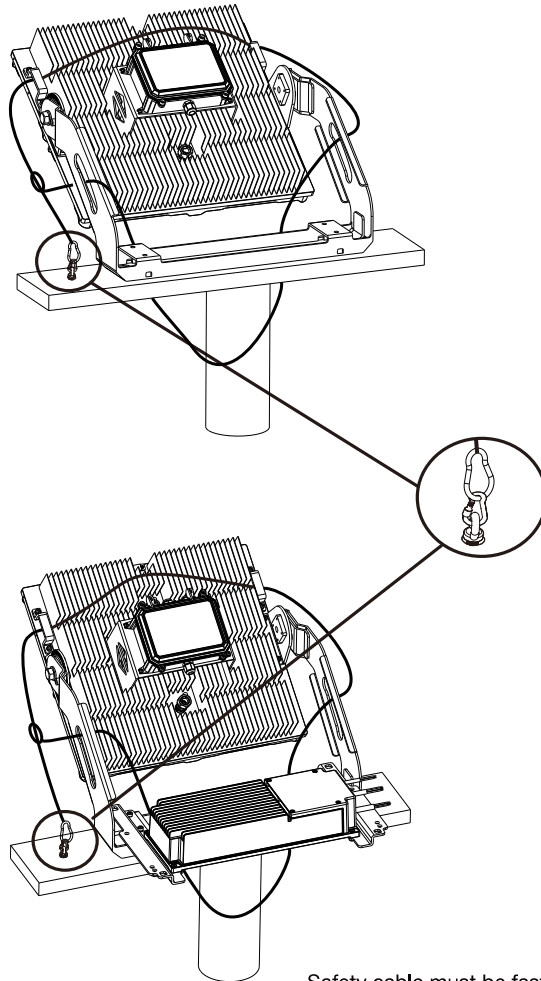
C Adjustable angle of lamps | 灯具可调角度 | 燈具可調角度



Please loosen the M14 and M8 screw with spanner before rotating modules, tighten the M14 and M8 screws after adjustment.
转动模组时，先用扳手松开M14及M8螺丝，再转动模组，调完投射角度后拧紧M14及M8螺丝。
轉動模組時，先用扳手鬆開M14及M8螺絲，再轉動模組，調完投射角度後擰緊M14及M8螺絲。

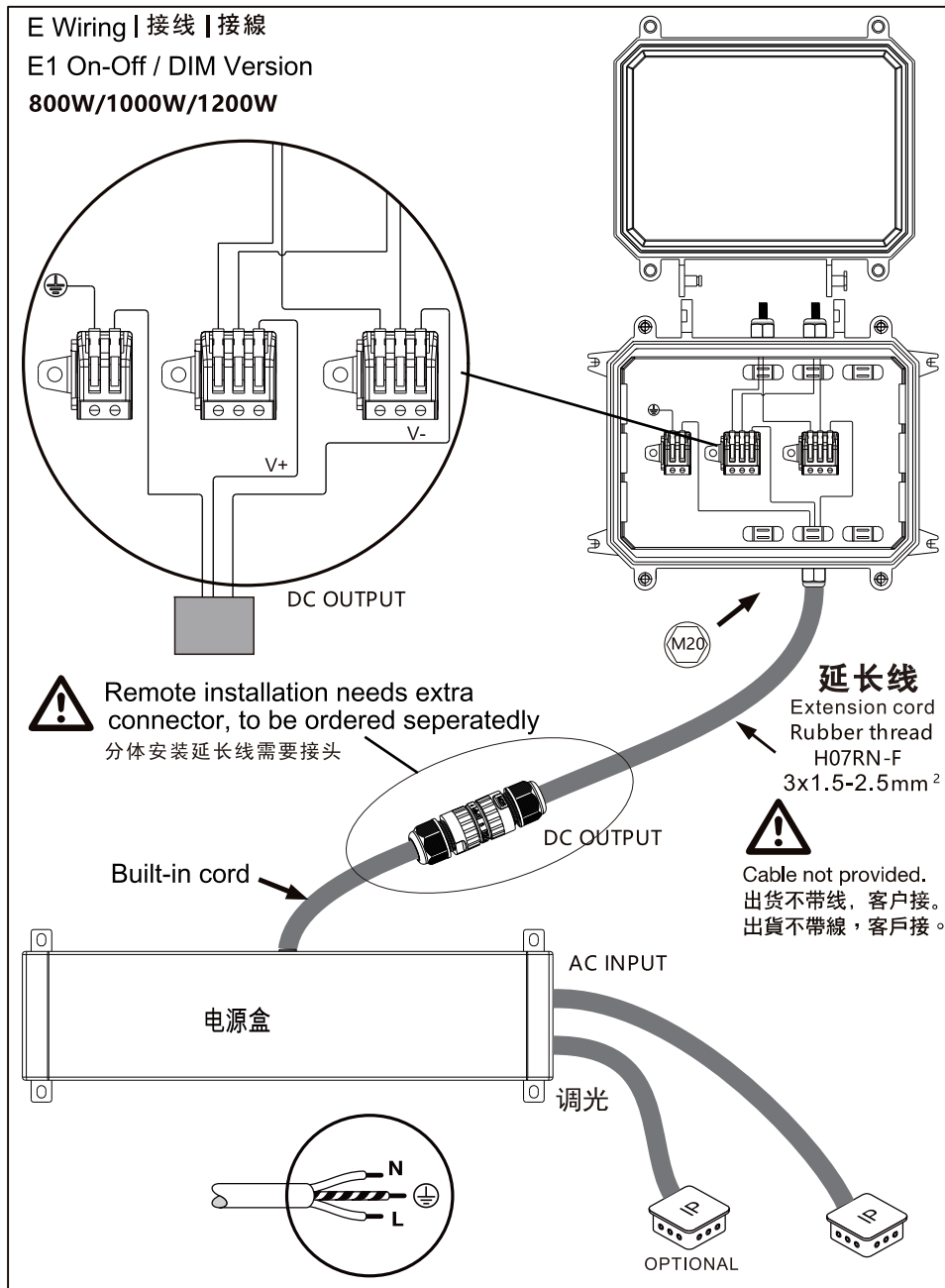
PURSOS® SHP ESSENCE FLOODLIGHT

D Fasten safety cable | 固定安全繩 | 固定安全繩




Safety cable must be fastened
tightly on the installation surface
安全繩必須可靠地固定在安裝面上
安全繩必須可靠地固定在安裝面上

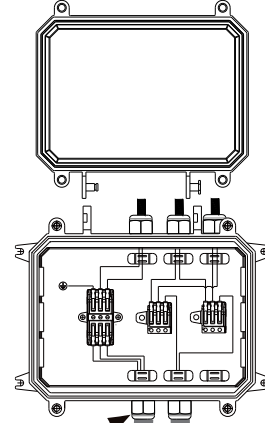
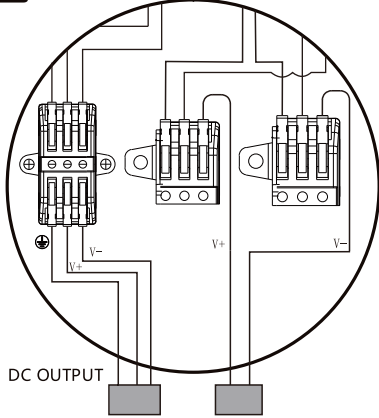
PURSOS® SHP ESSENCE FLOODLIGHT




PURSOS® SHP ESSENCE FLOODLIGHT

E1 On-Off / DIM Version
1350W/1500W/1800W

 两条DC线不能交叉接入
Two DC lines must not be cross-connected



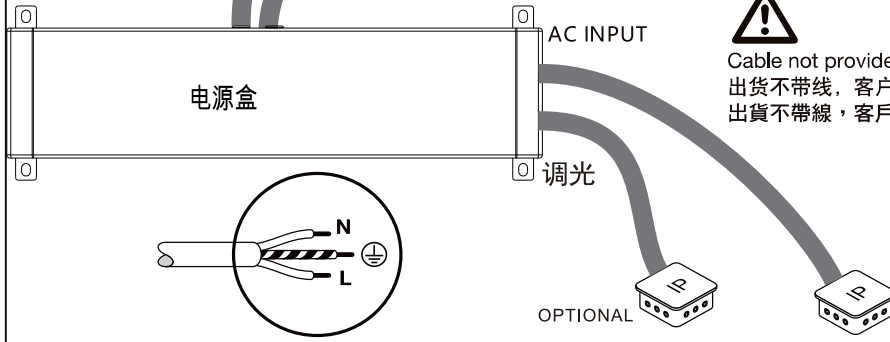
延长线
Extension cord
Rubber thread
H07RN-F
3x1.5-2.5mm²

 Remote installation needs extra connector, to be ordered seperately
分体安装延长线需要接头

延长线
Extension cord
Rubber thread
H07RN-F
2x1.5-2.5mm²

Built-in cord

DC OUTPUT DC OUTPUT




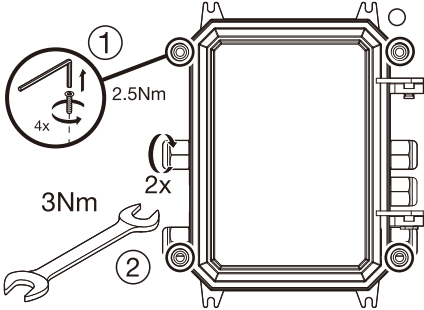
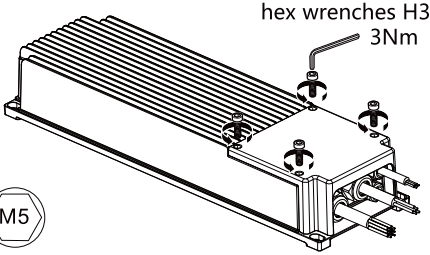
 Cable not provided.
出货不带线，客户接。
出貨不帶線，客戶接。

OPTIONAL

PURSOS® SHP ESSENCE FLOODLIGHT

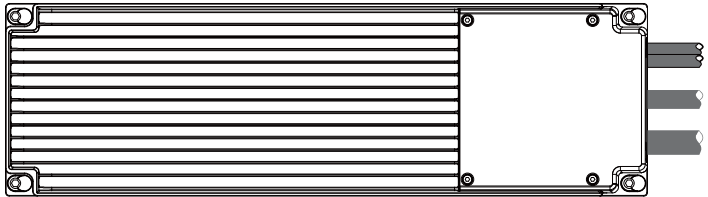
E Wiring | 接线 | 接線
E2 DMX-RDM / DALI Version

 Please don't screw it rudely.
请不要用暴力打螺丝。
請不要用暴力打螺絲。





hex wrenches H3
3Nm

M5

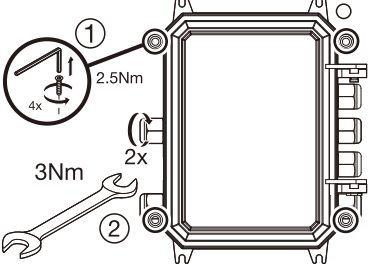
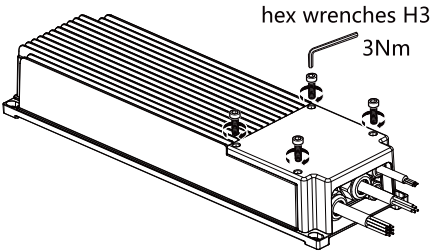


Control Signal * 2
AC INPUT
DC OUTPUT



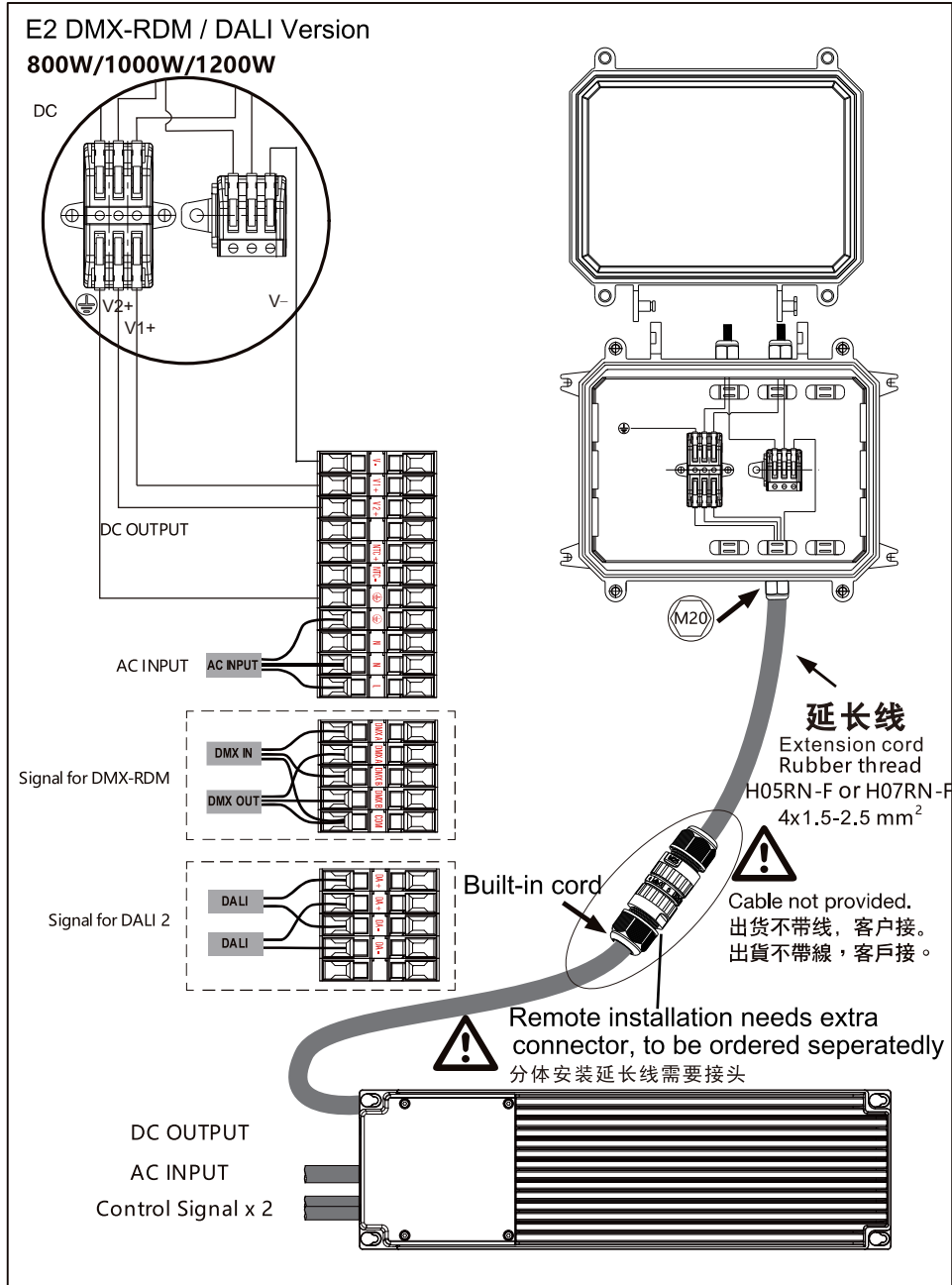
Control Signal	M16(Ø4-Ø8mm)	3Nm, 4.5Nm Max	2 x CAT5
AC INPUT	M25(Ø10-Ø15mm)	6Nm, 8Nm Max	H07RN-F, 3x 1.5-4.0mm ²
DC OUTPUT	M25(Ø9-Ø16mm)	6Nm, 8Nm Max	H07RN-F, 4 x 1.5-2.5mm ² H07RN-F, 5 x 1.5-2.5mm ²

After wiring, after finishing the wire, use 3Nm to lock the water and electricity cable head to ensure the waterproof of the cable head.
接线后，整理线材后，使用3Nm锁紧防水电缆头，确保电缆头的防水。
接線後，整理線材後，使用3Nm鎖緊防水電纜頭，確保電纜頭的防水。

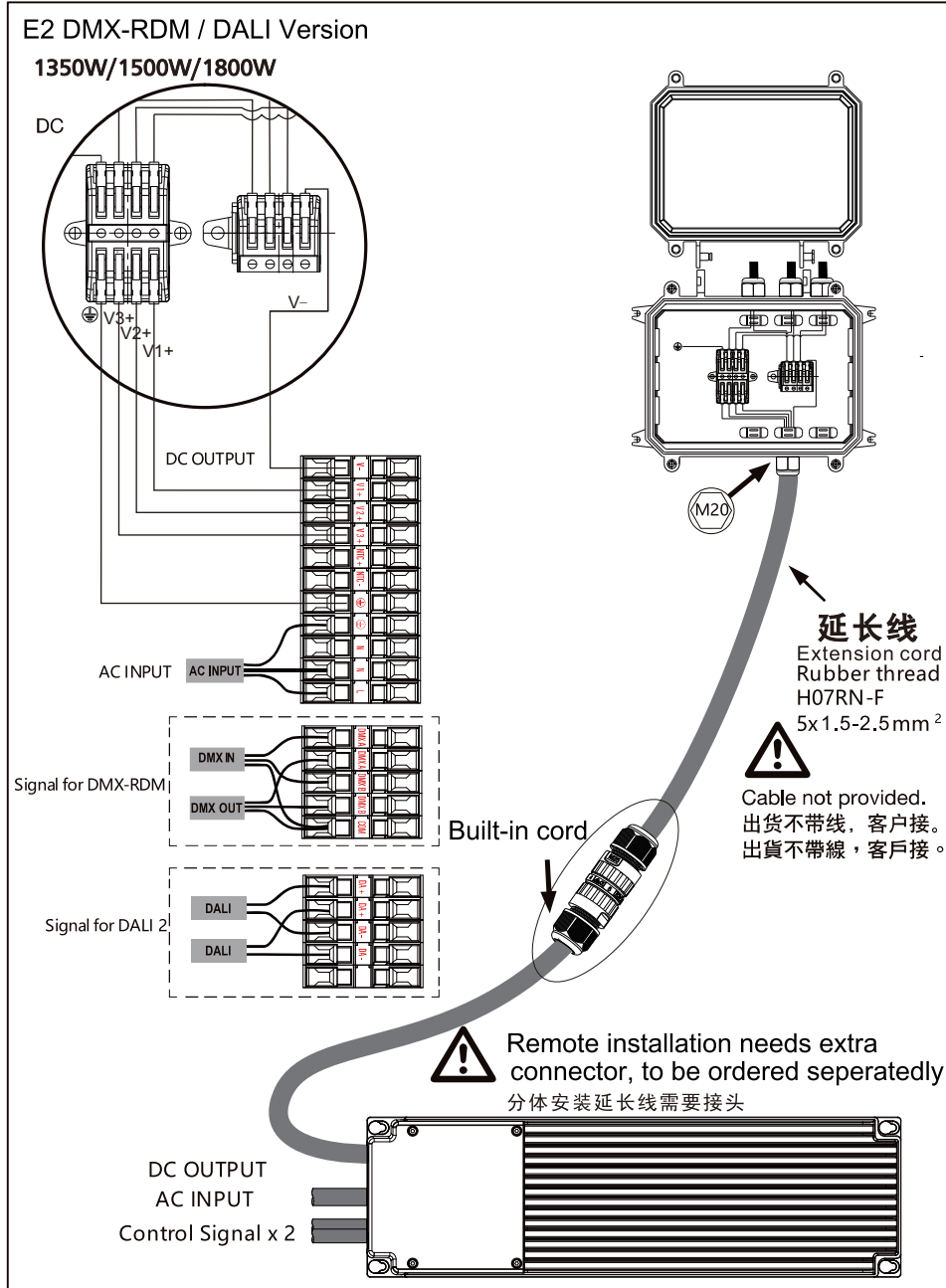



hex wrenches H3
3Nm

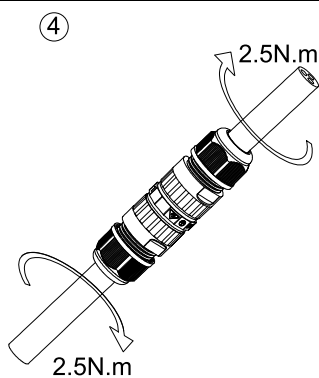
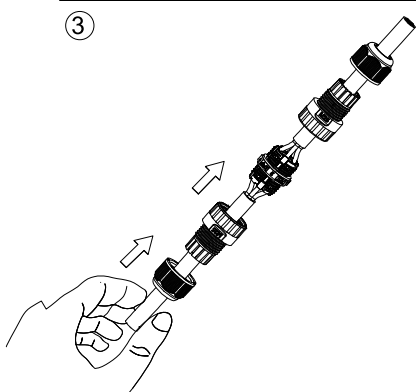
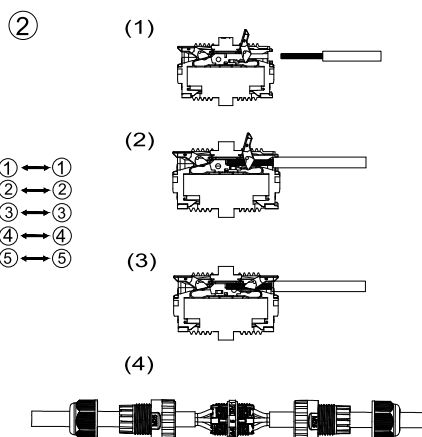
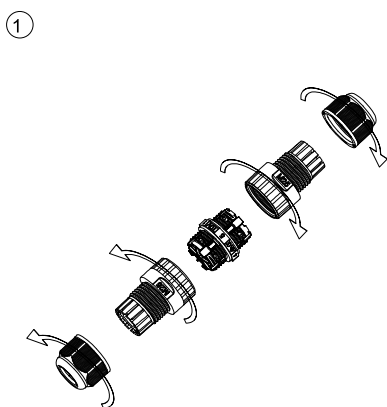
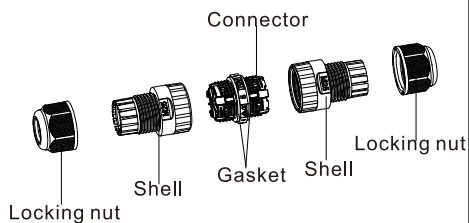
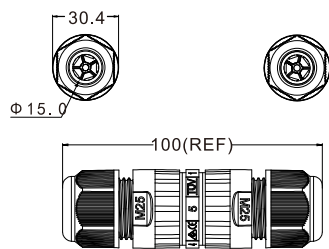
PURSOS® SHP ESSENCE FLOODLIGHT



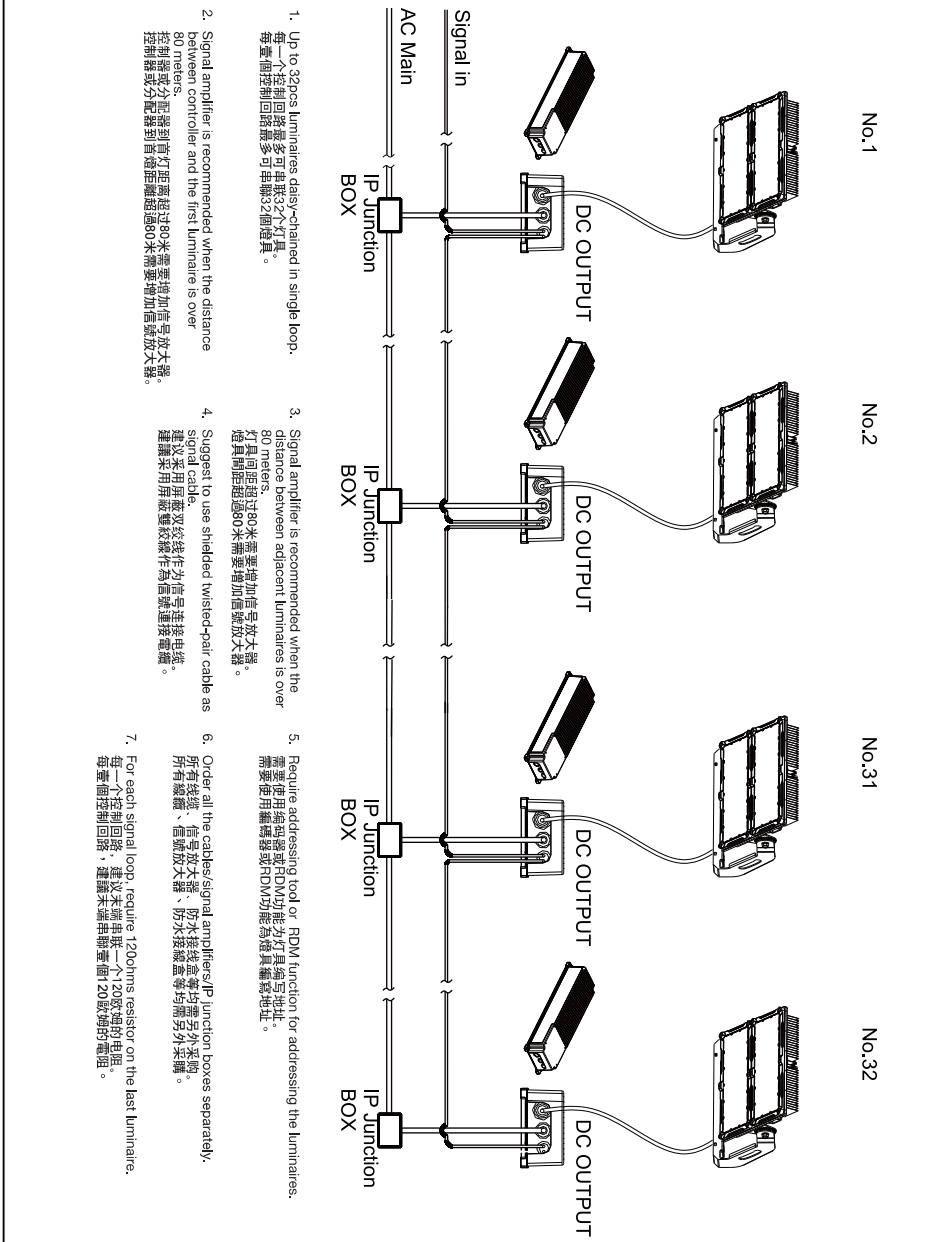
PURSOS® SHP ESSENCE FLOODLIGHT



Install the Waterproof connector | 安装防水接头 | 安装防水接头



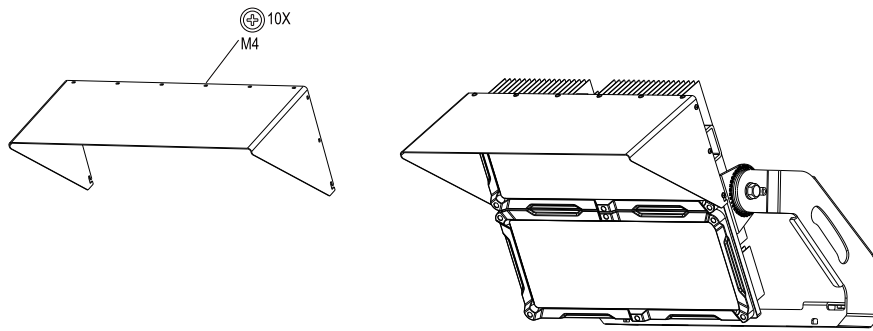
DMX Connection / DMX连接图 / DMX连接圖



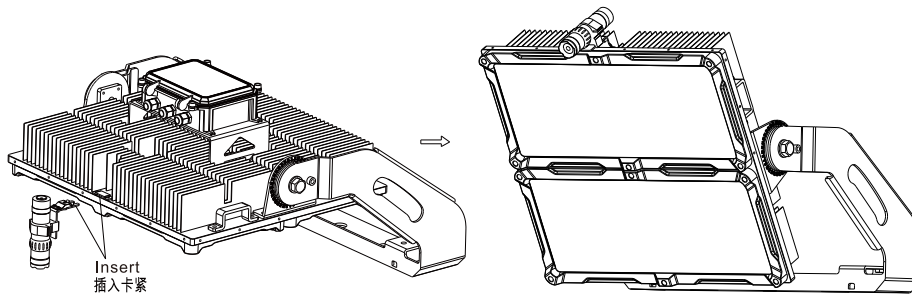
PURSOS® SHP ESSENCE FLOODLIGHT

Accessories (Order separately) | 附件(需单独购买) | 附件(需單獨購買)

Visor / 防眩光罩 / 防眩光罩



Sighting Device / 瞄准器 / 瞄准器





- If the external flexible cable or cord of this luminaire is damaged, it shall be exclusively replaced by the manufacturer or his service agent or similar qualified person in order to avoid a hazard
如果此灯具的外部软缆或软线损坏了，该线要由制造商或其服务代理商或有类似资质的人更换，以避免发生危害。
如果此灯具的外部软缆或软线损坏了，该线要由制造商或其服务代理商或有类似资质的人更换，以避免发生危害。
- Shall not touch while the luminaires is lighting on.
灯具工作时不得用手触摸。
燈具工作時不得用手觸摸。
- The light source contained in this luminaire shall only be replaced by the manufacturer or his service agent or a similar qualified person.
灯具里面的光源只能由生产商或者代理机构或类似资质的人更换。
燈具裏面的光源只能由生產商或者代理機構或類似資質的人更換。
- The luminaire should be installed and maintained by qualified electrician and wired in accordance with the latest IEE electrical regulations or the national regulations.
灯具必须由专业电工安装维护，并根据IEE电器标准或国家法规接线。
燈具必須由專業電工安裝維護，並根據IEE電器標準或國家法規接線。
- The luminaire should be positioned so that prolonged staring into the luminaire at a distance closer than 25 m is not expected.
灯具的安装位置应使其不会长时间小于25米的距离被盯着看。
燈具的安裝位置應使其不會長時間小於25米的距離被盯着看。
- Reinforced insulation between LV supply and controlling terminal was provided.
Lv与调光电路满足加强绝缘要求。
Lv與調光電路滿足加強絕緣要求。
- Power supply system should be equipped with SPD (Surge protection Device) accordance with electrical regulations.
接入灯具的供电系统需满足浪涌防护要求，供电系统需要安装符合标准的浪涌保护器。
接入燈具的供電系統需滿足浪湧防護要求，供電系統需要安裝符合標準的浪湧保護器。
- Choose the screw / nuts / bolts with the best corrosion resistance grade (e.g. SUS316) for fixing, which complies with C5 class in accordance with ISO9223.
请选择符合ISO9223 C5等级的耐腐蚀螺钉/螺母/螺栓用于安装，比如SUS316。
請選擇符合ISO9223 C5等級的耐腐蝕螺釘/螺母/螺栓用於安裝，比如SUS316。
- DO NOT damage the coating of luminaire housing, otherwise, it will reduce the corrosion resistance of the product.
请不要破坏灯具表面的涂层，否则将会降低灯具的防腐性能。
請不要破壞燈具表面的塗層，否則將會降低燈具的防腐性能。

Conformance to:


执行标准:

- GB 7000.1 灯具 第1部分：一般要求与试验
- GB 7000.7 投光灯具安全要求
- GB/T 17743 电气照明和类似设备的无线电骚扰特性的限值和测量方法
- GB 17625.1 (>25W) 电磁兼容限值谐波电流发射限值(设备每相输入电流≤16A)

产品中有害物质的名称及含量

部件名称	有害物质					
	铅(Pb)	汞(Hg)	镉(Cd)	六价铬(Cr(VI))	多溴联苯(PBB)	多溴二苯醚(PBDE)
印刷电路板	×	○	○	○	○	○
锡膏	×	○	○	○	○	○

本表格依据SJ/T11364的规定编制。
○：表示该有害物质在该部件所有均质材料中的含量均在GB/T26572规定的限量要求以下。
×：表示该有害物质至少在该部件的某一均质材料中的含量超出GB/T26572规格的限量要求。



For P.R.C. Only
本标志适用于在中华人民共和国销售的电子电器产品。标志中央的数字代表产品的环保适用期限。只要您遵守与本产品相关的安全与使用方面的注意事项，从生产日期的上述年限内，就不会产生环境污染或对人体及财产的严重影响。

- IEC60598.1: Luminaires Part 1: General requirements and tests
- IEC60598-2-5: Luminaires, Part 2-5: Particular requirements, Floodlights
- EN55015: Limits and methods of measurement of radio disturbance characteristics of electrical lighting and similar equipment
- IEC 61000-3-2 : Limits for harmonic current emission (equipment input current ≤16A per phase)

OSRAM is a trademark of OSRAM GmbH. Traxon is the exclusive licensee of product trademark OSRAM for Professional General Lighting products in Mainland China, Hong Kong and Macau, additional fixed list of General Lighting products.

Traxon Technologies Ltd.

Room 113, wireless centre, 3 Science Park East Avenue, Shatin, Hong Kong

Traxon Technologies Europe GmbH

Karl-Schurz-Str.38, 33100 Paderborn, Germany

Traxon Lighting Company Limited

B402 - B421, Building 6, Northwest Shenjiu Science and Technology Pioneer Park, the intersection of Taohua Road and Binglang Road, Fubao Community, Fubao Street, Futian District, Shenzhen

CB



IK10 IP66



Do not stare at the operating light source



OSRAM



TRAXON | ecue

MEMBER OF PROSPERITY GROUP

www.traxon-ecue.com