



TRAXON Go[→]

Ribbon Go 5 Top



Project: _____

Type: _____



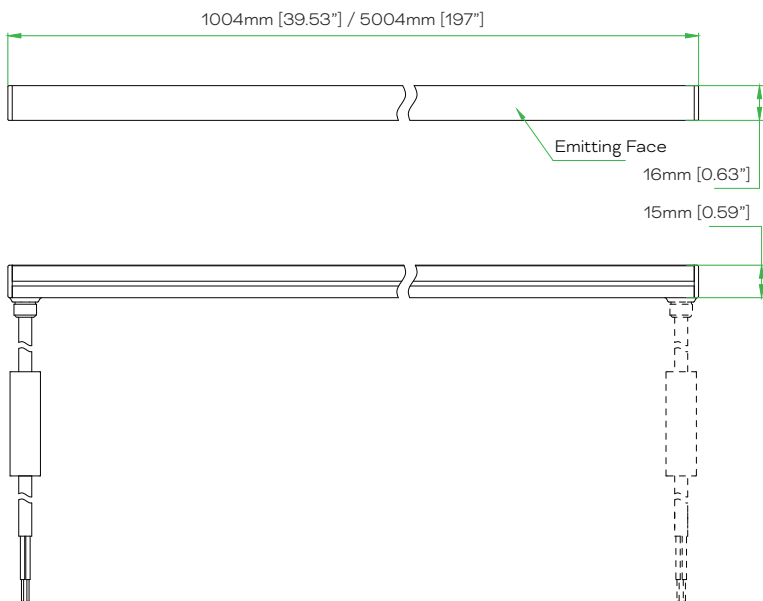
IP67

The Ribbon Go 5 Top family are flexible LED diffused top-bending ribbons, which are reliable and multi-optional with comprehensive features, available in outdoor IP67 version, making them the perfect solution for a variety of applications, including linear, flexible, creative ambient projects, curved lighting and free-form applications.

Features

- Up to 1200lm/m
- Ra80/90
- White, Dynamic White, RGB, RGBW options
- Power range from 3.4W to 14.1W
- ON/OFF, DALI, PWM, 0-10V, 1-10V, DMX2PWM Dimmer, Radio Frequency (Dimming is possible with optional accessories)
- IP67
- Lumen Maintenance L70@25° - 50,000 Hrs

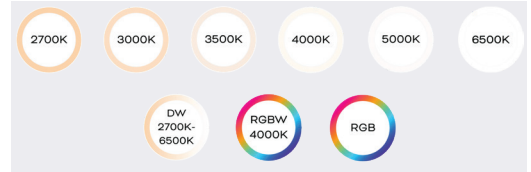
Dimensions



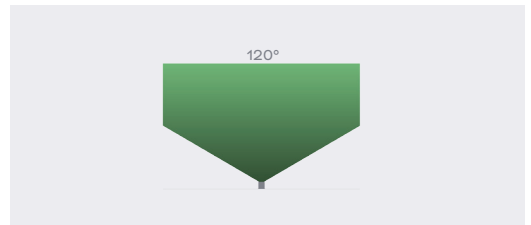
Technologies

- ON/OFF, DALI, PWM, 0-10V, 1-10V, DMX2PWM Dimmer, Radio Frequency

Color Options



Beam Angle





Product Specifications - Ribbon Go 5 TP W

Model		3.4W Ra80	7W Ra80	11.1W Ra80	4.1W Ra90	8.6W Ra90	13.6W Ra90
Light Source		White LED					
Color Range		White 2700K, 3000K, 3500K, 4000K, 5000K, 6500K					
CRI		Ra80			Ra90		
LED Quantity per Meter		140PCS					
Cutting Pitch		50mm					
Luminous Flux per Meter (lm)	2700K	377	756	1132	373	748	1129
	3000K	388	777	1166	381	765	1156
	3500K	394	791	1188	390	783	1170
	4000K	400	800	1200	400	800	1200
	5000K	377	784	1188	394	791	1200
	6500K	377	770	1166	390	774	1170
Efficacy (lm/W)	2700K	111	108	102	91	87	83
	3000K	114	111	105	93	89	85
	3500K	116	113	107	95	91	86
	4000K	118	114	108	97	93	88
	5000K	116	112	107	96	92	88
	6500K	114	110	105	95	90	86
SDCM		2700K - 5000K: ≤ 4 6500K: ≤ 5					
Beam Angles		120°					
Housing		Silicon Extrusion					
Mounting		Various mounting channels or mounting clips					
Dimensions	L	5004mm [197"], 1004mm [39.53"]					
Dimensions	W x H	16mm [0.63"] x 15mm [0.59"]					
Reel Length		5m, 1m					
Maximum Daisy Chain		10m	10m	9m	10m	9m	7m
Weight per Meter		264g / 9.31oz					
Minimum Bend Radius		100mm / 3.94"					
Regulatory Listing & Safety Approval		Electrical Protection Class III					
Operating Temperature		-25°C to +55°C (-13°F to +131°F)					
Storage Temperature		-25°C to +60°C (-13°F to +140°F)					
Environment		Outdoor, IP67					

Electrical Specifications

Input Voltage		24V DC Constant Voltage					
Power Consumption per Meter		3.4W	7W	11.1W	4.1W	8.6W	13.6W
Lumen Maintenance		L70 50,000hrs @ 25°C					

System Specifications

Power Supply		Power Supply 24V					
Control		ON/OFF, DALI, PWM, 0-10V, 1-10V, DMX2PWM Dimmer, Radio Frequency (Dimming is only possible with optional accessories)					

LED CHARACTERISTICS Because LEDs are semiconductor devices, their performances are subject to inherent variability commonly found in semiconductor industry. To improve consistency in performance across the same product, LED manufacturers "sort" LEDs into bins according to different preset parameters, such as forward driving voltage, illumination, etc. Whereas binning is a sorting function, it is not a correction process. Inherent variability in the manufacturing process results always in different binning distributions according to different production lots. Traxon uses automatically binned LEDs on its products, thereby minimizing output variations within the model range.

As with all electronic devices, LED output degrades over time - a term called lumen depreciation. This also explains why it is nearly impossible to expect photometric performances of two LED products with different service life spans to be the same. The rate of LED degrade is a complicate function of many factors such as operating efficiency, duration of continuous operation, and more significantly, environmental conditions (ambient temperature for example). If allowed working under optimal operating temperature range and with good ventilation, LED devices enjoy long service lives over conventional light sources. When using/installing LED devices, care should be taken to ensure that the devices will operate within the operating conditions specified in respective product literature.

Lumen measurement complies with LM-79-08 standard.
Lumen maintenance is calculated based on LM-80 compliant measurement.



Product Specifications - Ribbon Go 5 TP RGB / RGBW / DW

Model	RGB 10.3W	RGBW 14.1W Ra80	RGBW 14.1W Ra90	DW 7.9W Ra80	DW 9.6W Ra90
Light Source	RGB LED	RGB LED and White LED		White LED	
Color Range	RGB	RGBW (White= 4000K)		Dynamic White 2700K - 6500K	
CRI	/	Ra80	Ra90	Ra80	Ra90
LED Quantity per Meter	84PCS RGB	84PCS RGB + 84PCS White		98PCS Warm White + 98PCS Cool White	
Cutting Pitch	83.3mm	83.3mm		71.4mm	
Luminous Flux per Meter (lm)	400	RGB: 400 W 4000K: 400	RGB: 400 W 4000K: 350	850 (full on)	850 (full on)
Efficacy (lm/W)	39lm/W	RGB: 39 W 4000K: 106	RGB: 39 W 4000K: 93	108 (full on)	89 (full on)
SDCM	/	≤ 5	≤ 5	≤ 5	≤ 5
Beam Angles	120°				
Housing	Silicon Extrusion				
Mounting	Various mounting channels or mounting clips				
Dimensions (L)	5004mm [197"], 1004mm [39.53"]				
Dimensions (W x H)	16mm [0.63"] x 15mm [0.59"]				
Reel Length	5m, 1m				
Maximum Daisy Chain	10m	6m	6m	10m	10m
Weight per Meter	277g / 9.76oz	285g / 10.05z	285g / 10.05oz	271g / 9.55oz	271g / 9.55oz
Minimum Bend Radius	100mm / 3.94"				
Regulatory Listing & Safety Approval	Electrical Protection Class III				
Operating Temperature	-25°C to +55°C (-13°F to +131°F)				
Storage Temperature	-25°C to +60°C (-13°F to +140°F)				
Environment	Outdoor, IP67				

Electrical Specifications

Input Voltage	24V DC Constant Voltage				
Power Consumption per Meter (Full on)	10.3W	14.1W	14.1W	7.9W	9.6W
Lumen Maintenance	L70 50,000hrs @ 25°C				

System Specifications

Power Supply	Power Supply 24V
Control	DALI, PWM, 0-10V, 1-10V, DMX2PWM Dimmer, Radio Frequency (Dimming is only possible with optional accessories)

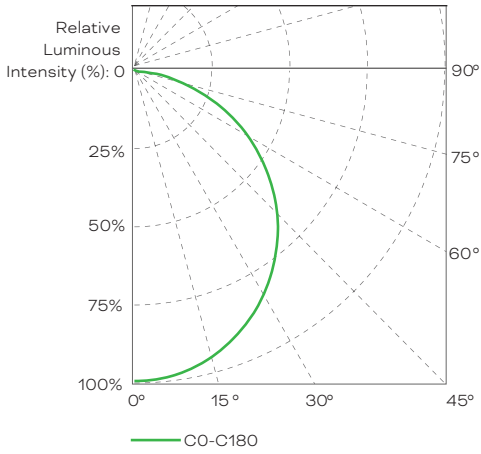
LED CHARACTERISTICS Because LEDs are semiconductor devices, their performances are subject to inherent variability commonly found in semiconductor industry. To improve consistency in performance across the same product, LED manufacturers "sort" LEDs into bins according to different preset parameters, such as forward driving voltage, illumination, etc. Whereas binning is a sorting function, it is not a correction process. Inherent variability in the manufacturing process results always in different binning distributions according to different production lots. Traxon uses automatically binned LEDs on its products, thereby minimizing output variations within the model range.

As with all electronic devices, LED output degrades over time – a term called lumen depreciation. This also explains why it is nearly impossible to expect photometric performances of two LED products with different service life spans to be the same. The rate of LED degrade is a complicate function of many factors such as operating efficiency, duration of continuous operation, and more significantly, environmental conditions (ambient temperature for example). If allowed working under optimal operating temperature range and with good ventilation, LED devices enjoy long service lives over conventional light sources. When using/installing LED devices, care should be taken to ensure that the devices will operate within the operating conditions specified in respective product literature.

Lumen measurement complies with LM-79-08 standard.
Lumen maintenance is calculated based on LM-80 compliant measurement.



Candela Distribution



Illuminance at a Distance

	Center Beam LUX/klm	Beam Width	
0.5m	1412	1.46m / 4.79'	1.6'
1m	353	2.92m / 9.58'	3.3'
1.5m	157	4.38m / 14.37'	4.9'
2.0m	88	5.84m / 19.16'	6.6'
2.5m	56	7.30m / 23.95'	8.2'
3m	39	8.76m / 28.74'	9.8'

For fc divide by 10.7

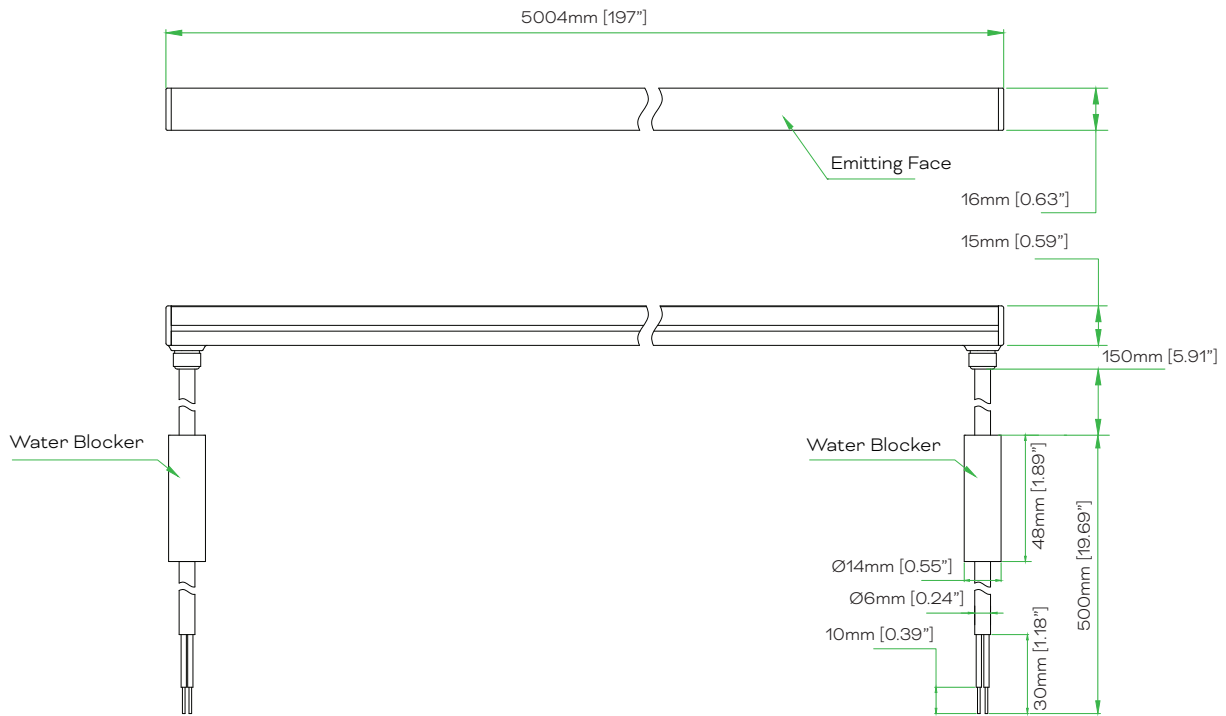
● Horiz.Spread: 111.2°

IES and LDT files are available for download from the Traxon website.

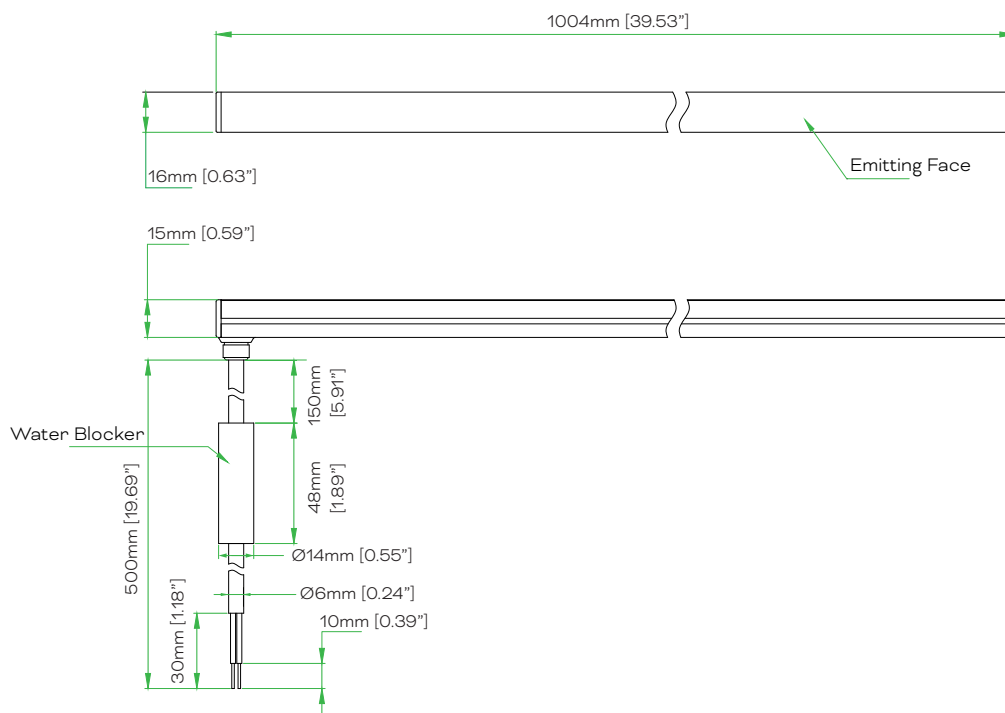


Fixture Dimensions

RIBBON GO 5 TP 5M



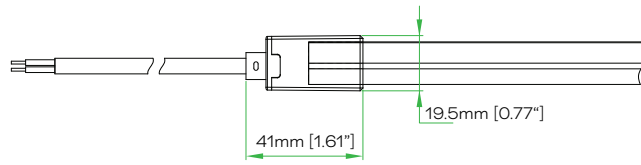
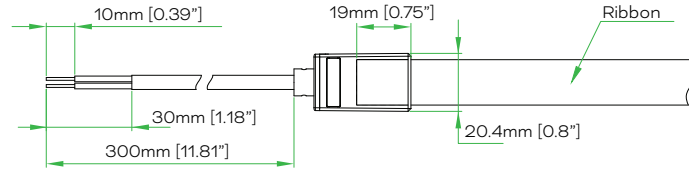
RIBBON GO 5 TP 1M





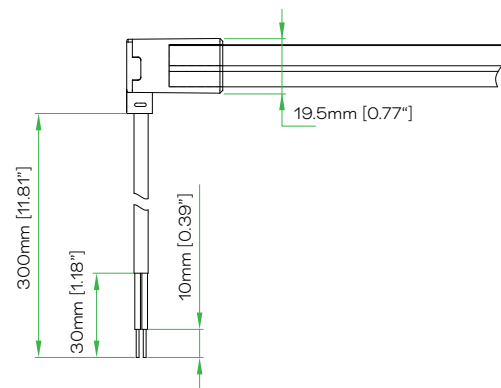
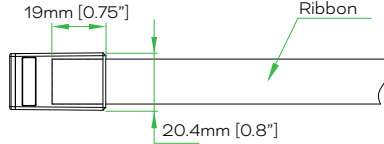
Connection Accessories Dimensions

STARTER CABLE END CABLE FEED



	2 PIN	3 PIN	4 PIN	5 PIN
Wire	2-core	3-core	4-core	5-core

STARTER CABLE BOTTOM CABLE FEED

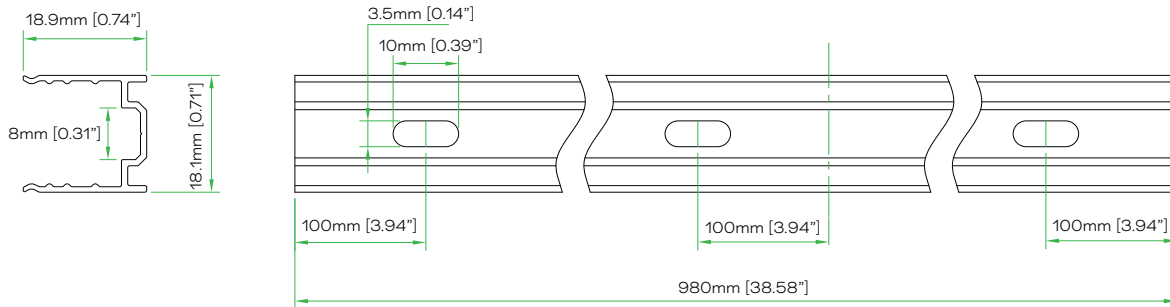


	2 PIN	3 PIN	4 PIN	5 PIN
Wire	2-core	3-core	4-core	5-core

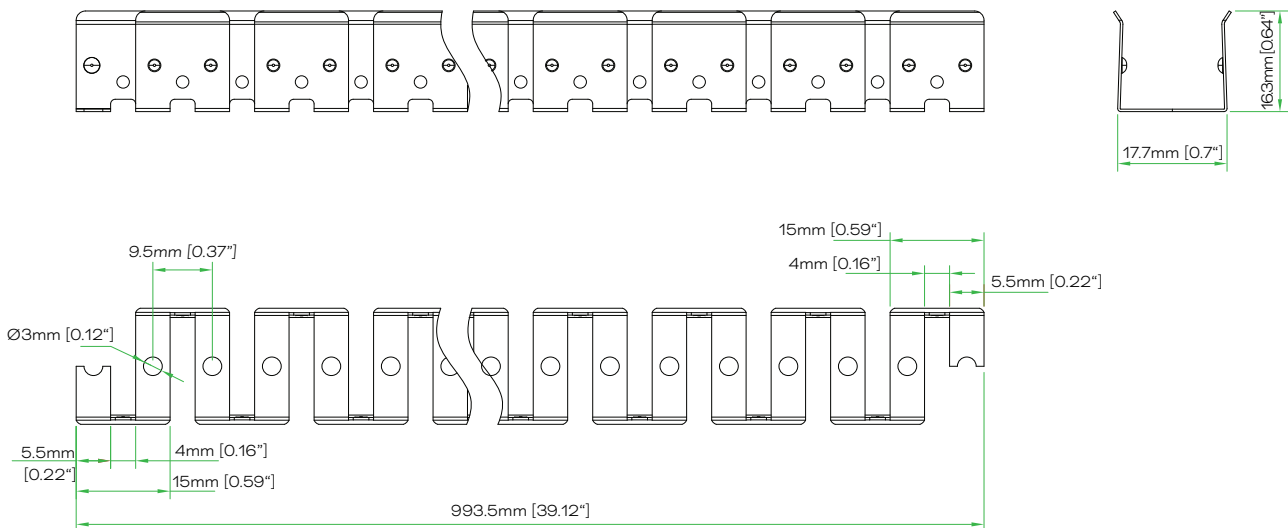


Mounting Accessories Dimensions

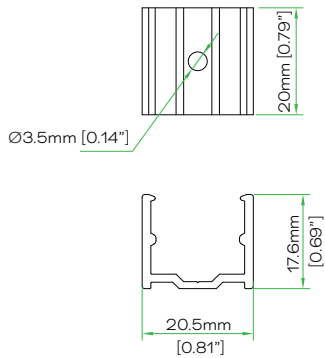
U-CHANNEL



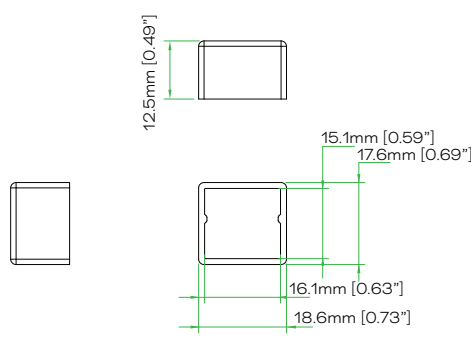
FLEXIBLE MOUNT STRIP



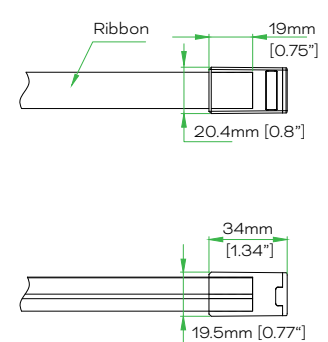
MOUNTING CLIP



FIELD-CUT END CAP



FIELD-CUT END CAP ASSY





Ribbon Go 5 Top

Ordering

Fixtures Model Number

RB.	RG.	2	0	NNN	N	N	N	0	N	2	N	00
Form	Input Voltage	Power / Meter	Ra	LED Color	LEDs / Meter	Beam Angle	Length	IP Grade	Cable Feed			
2:Top	0: DC24V	W Ra80 • 034: 3.4W/m • 070: 7W/m • 111: 11.1W/m	0: RGB without Ra requirement	1: 2700K	W: • 2: 140pcs	0: 120°	5: 5m	2: IP67	1: Bottom feed, 2 ends			
		W Ra90 • 041: 4.1W/m • 086: 8.6W/m • 136: 13.6W/m	1: Ra80	2: 3000K	RGB: • 4: 84pcs		1: 1m		2: Bottom feed, 1 ends			
		RGB • 103: 10.3W/m	2: Ra90	3: 3500K	RGBW: • 5: 168pcs							
		RGBW Ra80 • 141: 14.1W/m		4: 4000K	DW: • 6: 196pcs							
		RGBW Ra90 • 141: 14.1W/m		5: 5000K								
		DW Ra80 • 079: 7.9W/m		7: 6500K								
		DW Ra90 • 096: 9.6W/m		8: DW 2700K-6500K								
				9: RGB								
				B: RGBW (W=4000K)								

Desired Model Number:

RB.	RG.	2	0						0	2			00
-----	-----	---	---	--	--	--	--	--	---	---	--	--	----

Fixtures

Model No.	Description	Item Code
RB.RG.20034112052100	RIBBON GO 5 TP DC 3.4W 827 140 5M B2 IP67	DL24102123355
RB.RG.20070112052100	RIBBON GO 5 TP DC 7W 827 140 5M B2 IP67	DL24102123455
RB.RG.2011112052100	RIBBON GO 5 TP DC 11.1W 827 140 5M B2 IP67	DL24102123555
RB.RG.20034122052100	RIBBON GO 5 TP DC 3.4W 830 140 5M B2 IP67	DL24102123655
RB.RG.20070122052100	RIBBON GO 5 TP DC 7W 830 140 5M B2 IP67	DL24102123755
RB.RG.20111122052100	RIBBON GO 5 TP DC 11.1W 830 140 5M B2 IP67	DL24102123855
RB.RG.20034132052100	RIBBON GO 5 TP DC 3.4W 835 140 5M B2 IP67	DL24102123955
RB.RG.20070132052100	RIBBON GO 5 TP DC 7W 835 140 5M B2 IP67	DL24102124055
RB.RG.20111132052100	RIBBON GO 5 TP DC 11.1W 835 140 5M B2 IP67	DL24102124155
RB.RG.20034142052100	RIBBON GO 5 TP DC 3.4W 840 140 5M B2 IP67	DL24102124255
RB.RG.20070142052100	RIBBON GO 5 TP DC 7W 840 140 5M B2 IP67	DL24102124355
RB.RG.20111142052100	RIBBON GO 5 TP DC 11.1W 840 140 5M B2 IP67	DL24102124455
RB.RG.20034152052100	RIBBON GO 5 TP DC 3.4W 850 140 5M B2 IP67	DL24102124555
RB.RG.20070152052100	RIBBON GO 5 TP DC 7W 850 140 5M B2 IP67	DL24102124655
RB.RG.20111152052100	RIBBON GO 5 TP DC 11.1W 850 140 5M B2 IP67	DL24102124755
RB.RG.20034172052100	RIBBON GO 5 TP DC 3.4W 865 140 5M B2 IP67	DL24102124855
RB.RG.20070172052100	RIBBON GO 5 TP DC 7W 865 140 5M B2 IP67	DL24102124955
RB.RG.20111172052100	RIBBON GO 5 TP DC 11.1W 865 140 5M B2 IP67	DL24102125055
RB.RG.20034112012200	RIBBON GO 5 TP DC 3.4W 827 140 1M B1 IP67	DL24102125155
RB.RG.20070112012200	RIBBON GO 5 TP DC 7W 827 140 1M B1 IP67	DL24102125255
RB.RG.2011112012200	RIBBON GO 5 TP DC 11.1W 827 140 1M B1 IP67	DL24102125355
RB.RG.20034122012200	RIBBON GO 5 TP DC 3.4W 830 140 1M B1 IP67	DL24102125455
RB.RG.20070122012200	RIBBON GO 5 TP DC 7W 830 140 1M B1 IP67	DL24102125555
RB.RG.20111122012200	RIBBON GO 5 TP DC 11.1W 830 140 1M B1 IP67	DL24102125655



Fixtures

Model No.	Description	Item Code
RB.RG.20034132012200	RIBBON GO 5 TP DC 3.4W 835 140 1M B1 IP67	DL24102125755
RB.RG.20070132012200	RIBBON GO 5 TP DC 7W 835 140 1M B1 IP67	DL24102125855
RB.RG.20111132012200	RIBBON GO 5 TP DC 11.1W 835 140 1M B1 IP67	DL24102125955
RB.RG.20034142012200	RIBBON GO 5 TP DC 3.4W 840 140 1M B1 IP67	DL24102126055
RB.RG.20070142012200	RIBBON GO 5 TP DC 7W 840 140 1M B1 IP67	DL24102126155
RB.RG.20111142012200	RIBBON GO 5 TP DC 11.1W 840 140 1M B1 IP67	DL24102126255
RB.RG.20034152012200	RIBBON GO 5 TP DC 3.4W 850 140 1M B1 IP67	DL24102126355
RB.RG.20070152012200	RIBBON GO 5 TP DC 7W 850 140 1M B1 IP67	DL24102126455
RB.RG.20111152012200	RIBBON GO 5 TP DC 11.1W 850 140 1M B1 IP67	DL24102126555
RB.RG.20034172012200	RIBBON GO 5 TP DC 3.4W 865 140 1M B1 IP67	DL24102126655
RB.RG.20070172012200	RIBBON GO 5 TP DC 7W 865 140 1M B1 IP67	DL24102126755
RB.RG.20111172012200	RIBBON GO 5 TP DC 11.1W 865 140 1M B1 IP67	DL24102126855
RB.RG.20041212052100	RIBBON GO 5 TP DC 4.1W 927 140 5M B2 IP67	DL24102126955
RB.RG.20086212052100	RIBBON GO 5 TP DC 8.6W 927 140 5M B2 IP67	DL24102127055
RB.RG.20136212052100	RIBBON GO 5 TP DC 13.6W 927 140 5M B2 IP67	DL24102127155
RB.RG.20041222052100	RIBBON GO 5 TP DC 4.1W 930 140 5M B2 IP67	DL24102127255
RB.RG.20086222052100	RIBBON GO 5 TP DC 8.6W 930 140 5M B2 IP67	DL24102127355
RB.RG.20136222052100	RIBBON GO 5 TP DC 13.6W 930 140 5M B2 IP67	DL24102127455
RB.RG.20041232052100	RIBBON GO 5 TP DC 4.1W 935 140 5M B2 IP67	DL24102127555
RB.RG.20086232052100	RIBBON GO 5 TP DC 8.6W 935 140 5M B2 IP67	DL24102127655
RB.RG.20136232052100	RIBBON GO 5 TP DC 13.6W 935 140 5M B2 IP67	DL24102127755
RB.RG.20041242052100	RIBBON GO 5 TP DC 4.1W 940 140 5M B2 IP67	DL24102127855
RB.RG.20086242052100	RIBBON GO 5 TP DC 8.6W 940 140 5M B2 IP67	DL24102127955
RB.RG.20136242052100	RIBBON GO 5 TP DC 13.6W 940 140 5M B2 IP67	DL24102128055
RB.RG.20041252052100	RIBBON GO 5 TP DC 4.1W 950 140 5M B2 IP67	DL24102128155
RB.RG.20086252052100	RIBBON GO 5 TP DC 8.6W 950 140 5M B2 IP67	DL24102128255
RB.RG.20136252052100	RIBBON GO 5 TP DC 13.6W 950 140 5M B2 IP67	DL24102128355
RB.RG.20041272052100	RIBBON GO 5 TP DC 4.1W 965 140 5M B2 IP67	DL24102128455
RB.RG.20086272052100	RIBBON GO 5 TP DC 8.6W 965 140 5M B2 IP67	DL24102128555
RB.RG.20136272052100	RIBBON GO 5 TP DC 13.6W 965 140 5M B2 IP67	DL24102128655
RB.RG.20041212012200	RIBBON GO 5 TP DC 4.1W 927 140 1M B1 IP67	DL24102128755
RB.RG.20086212012200	RIBBON GO 5 TP DC 8.6W 927 140 1M B1 IP67	DL24102128855
RB.RG.20136212012200	RIBBON GO 5 TP DC 13.6W 927 140 1M B1 IP67	DL24102128955
RB.RG.20041222012200	RIBBON GO 5 TP DC 4.1W 930 140 1M B1 IP67	DL24102129055
RB.RG.20086222012200	RIBBON GO 5 TP DC 8.6W 930 140 1M B1 IP67	DL24102129155
RB.RG.20136222012200	RIBBON GO 5 TP DC 13.6W 930 140 1M B1 IP67	DL24102129255
RB.RG.20041232012200	RIBBON GO 5 TP DC 4.1W 935 140 1M B1 IP67	DL24102129355
RB.RG.20086232012200	RIBBON GO 5 TP DC 8.6W 935 140 1M B1 IP67	DL24102129455
RB.RG.20136232012200	RIBBON GO 5 TP DC 13.6W 935 140 1M B1 IP67	DL24102129555
RB.RG.20041242012200	RIBBON GO 5 TP DC 4.1W 940 140 1M B1 IP67	DL24102129655
RB.RG.20086242012200	RIBBON GO 5 TP DC 8.6W 940 140 1M B1 IP67	DL24102129755
RB.RG.20136242012200	RIBBON GO 5 TP DC 13.6W 940 140 1M B1 IP67	DL24102129855
RB.RG.20041252012200	RIBBON GO 5 TP DC 4.1W 950 140 1M B1 IP67	DL24102129955



Fixtures

Model No.	Description	Item Code
RB.RG.20086252012200	RIBBON GO 5 TP DC 8.6W 950 140 1M B1 IP67	DL24102130055
RB.RG.20136252012200	RIBBON GO 5 TP DC 13.6W 950 140 1M B1 IP67	DL24102130155
RB.RG.20041272012200	RIBBON GO 5 TP DC 4.1W 965 140 1M B1 IP67	DL24102130255
RB.RG.20086272012200	RIBBON GO 5 TP DC 8.6W 965 140 1M B1 IP67	DL24102130355
RB.RG.20136272012200	RIBBON GO 5 TP DC 13.6W 965 140 1M B1 IP67	DL24102130455
RB.RG.20103094052100	RIBBON GO 5 TP DC 10.3W RGB 84 5M B2 IP67	DL24102137755
RB.RG.201411B5052100	RIBBON GO 5 TP DC 14.1W RGBW840 168 5M B2 IP67	DL24102137855
RB.RG.201412B5052100	RIBBON GO 5 TP DC 14.1W RGBW940 168 5M B2 IP67	DL24102137955
RB.RG.20079186052100	RIBBON GO 5 TP DC 7.9W DW82765 196 5M B2 IP67	DL24102138055
RB.RG.20096286052100	RIBBON GO 5 TP DC 9.6W DW92765 196 5M B2 IP67	DL24102138155
RB.RG.20103094012200	RIBBON GO 5 TP DC 10.3W RGB 84 1M B1 IP67	DL24102138755
RB.RG.201411B5012200	RIBBON GO 5 TP DC 14.1W RGBW840 168 1M B1 IP67	DL24102138855
RB.RG.201412B5012200	RIBBON GO 5 TP DC 14.1W RGBW940 168 1M B1 IP67	DL24102138955
RB.RG.20079186012200	RIBBON GO 5 TP DC 7.9W DW82765 196 1M B1 IP67	DL24102139055
RB.RG.20096286012200	RIBBON GO 5 TP DC 9.6W DW92765 196 1M B1 IP67	DL24102139155

TX Cutting Tools

Description	Item Code
RIBBON GO 5 CUTTING TOOL	DA24102105655
RIBBON GO 5 SEALING GLUE 100ML	DA24102105755
RIBBON GO 5 TP FIELD CUT ENDCAP ASSY	DA24102141355
RIBBON GO 5 TP FIELD CUT ENDCAP 20PC	DA24102141555

TX Connect

Description	Item Code
STARTER CABLE 5 TP 2PIN 300MM ASSY E W	DA24102139755
STARTER CABLE 5 TP 3PIN 300MM ASSY E DW	DA24102139855
STARTER CABLE 5 TP 4PIN 300MM ASSY E RGB	DA24102139955
STARTER CABLE 5 TP 5PIN 300MM ASSY E RGBW	DA24102140055
STARTER CABLE 5 TP 2PIN 300MM ASSY B W	DA24102140155
STARTER CABLE 5 TP 3PIN 300MM ASSY B DW	DA24102140255
STARTER CABLE 5 TP 4PIN 300MM ASSY B RGB	DA24102140355
STARTER CABLE 5 TP 5PIN 300MM ASSY B RGBW	DA24102140455

TX Mounting

Description	Item Code
RIBBON GO 5 TP MOUNTING CLIP 10PC	DA24102141755
RIBBON GO 5 TP U-CHANNEL 980	DA24102141955
RIBBON GO 5 TP FLEXIBLE MOUNT STRIP 1M	DA24102142155



TX Power Supply & Control

Description	Item Code
POWER SUPPLY 5 200W 24V ONOFF OUTDOOR	DA24102106955
POWER SUPPLY 5 120W 24V ONOFF INDOOR	DA24102107055
POWER SUPPLY 5 150W 24V 0-10 PWM INDOOR	DA24102107155
POWER SUPPLY 5 150W 24V 0-10 PWM DW INDOOR	DA24102107255
POWER SUPPLY 5 150W 24V DALI INDOOR	DA24102107355
POWER SUPPLY 5 150W 24V DALI DW INDOOR	DA24102107455
POWER SUPPLY 5 150W 24V DALI RGBW INDOOR	DA24102107555
RF REMOTE 5	DA24102107655
RF DIMMER 5 2.4G INDOOR	DA24102107755
RF REMOTE 5 DW	DA24102107855
RF DIMMER 5 2.4G DW INDOOR	DA24102107955
RF DIMMER 5 2.4G RGB INDOOR	DA24102108055
RF DIMMER 5 2.4G RGBW INDOOR	DA24102108155
RF REMOTE 5 RGBW	DA24102108255
DMX2PWM DIMMER 4CH	AM467260055
SYMPL ESSENTIAL2 NODE	AM466930031

