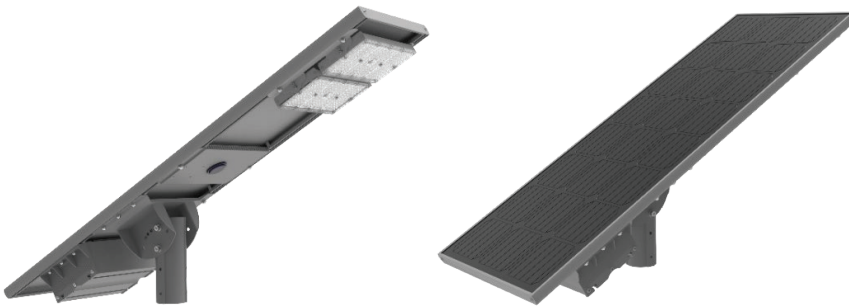


## SIMPLITZ® Solar Streetlight Integrated

### Datasheet



## CB IP66

The SIMPLITZ® Solar Streetlight Integrated represents OSRAM's cutting-edge solar Solar Streetlight technology. It features a monocrystalline solar panel with high conversion efficiency, a secure and reliable automotive power lithium iron phosphate battery, an ultra-high light efficiency light engine, an intelligent MPPT controller, and a compact all-in-one structure for easy installation and maintenance. This ensures both road safety and pedestrian comfort.

The SIMPLITZ® Solar Streetlight Integrated is available in General and Premium editions, catering to ME3-ME5 road lighting applications, including urban and rural road lighting, among others.

### Benefits

#### Cost saving

- Extremely low operation cost
- Extended service life
- High efficacy up to 180 lm/W

#### Flexible installation

- Solar panel tilt angle adjustable
- Light engine tilt angle adjustable
- Mounting on 80mm diameter pole

#### Robust and Durable

- Robust aluminum body
- High protection level IP66&IK07

### Applications

- Pathways
- Rural areas
- Parks
- Plazas
- Office campuses
- Suburban roads
- Inner city roads

# SIMPLITZ® Solar Streetlight Integrated

## Technical Data

### Light Engine Specifications

Power (Max)	30W	40W	50W	70W	85W	100W
Luminous Flux @5700K	5400 lm	7200 lm	9000 lm	12600 lm	15300 lm	18000 lm
Efficacy	Up to 180 lm/W @ 5700K					
CCT & CRI	3000K, 4000K, 5700K & CRI 70, others on request					
SDCM	5 SDCM					
Beam Angle	Type II, SMB (150° x 70°)					
Optical	PC, Polycarbonate					

### Operating and Electrical Specifications – General Edition

Battery Type	Lithium iron phosphate					
Battery Capacity	153.6Wh	230.4Wh	307.2Wh	384Wh	460.8Wh	614.4Wh
Battery Ampere Hour	12Ah	18Ah	24Ah	30Ah	36Ah	24Ah
Battery Voltage	12.8V	12.8V	12.8V	12.8V	12.8V	25.6V
Battery Charging & Discharging Cycles	DOD 100%, 2000 Cycles DOD 80%, more than 4000 Cycles					
Panel Type	Mono crystalline					
Panel Voltage	18V	18V	18V	18V	18V	36V
Panel Peak Wattage	32W	42W	52W	66W	83W	94W
Charge Controller Type	MPPT					
Charge Controller Wattage	30W	42W	52.5W	70W	85W	100W

### Operating and Electrical Specifications – Premium Edition

Battery Type	Lithium iron phosphate					
Battery Capacity	384.0Wh	537.6Wh	614.4Wh	844.8Wh	998.4Wh	1228.8Wh
Battery Ampere Hour	30Ah	42Ah	48Ah	66Ah	78Ah	48Ah
Battery Voltage	12.8V	12.8V	12.8V	12.8V	12.8V	25.6V
Battery Charging & Discharging Cycles	DOD 100%, 2000 Cycles DOD 80%, more than 4000 Cycles					
Panel Type	Mono crystalline					
Panel Voltage	18V	18V	36V	36V	36V	36V
Panel Peak Wattage	52W	83W	94W	110W	124W	164W
Charge Controller Type	MPPT					
Charge Controller Wattage	30W	42W	52.5W	70W	85W	100W

Due to the special conditions of manufacturing process of LED, the typical data of technical parameters can only reflect statistical figures and do not necessarily correspond to the actual parameters of each single product which could differ from typical data.

Exceeding maximum ratings for operation voltage will cause hazardous overload and will likely destroy the LED module.

Exceeding maximum ratings for operation and storage temperature will reduce expected life time or destroy the LED module.

V1.0 05/24: Official authorized licensee of the OSRAM trademark.  
Specifications are subject to change without notice. Errors and omission excepted, always make sure to use the most recent release.

# SIMPLITZ® Solar Streetlight Integrated

## Technical Data

### Control and Dimming

<b>Sensor</b>	Yes, Microwave Sensor
<b>Solar Dimming Profile</b>	General Edition: The luminaires come with a factory preset dimming profile: First 2 Hrs - On motion: 100%, without motion: 20%; Next 3 Hrs - On motion: 40%, without motion: 20%; Next 5 Hrs - On motion: 20%, without motion: 10%; Rest of the Night - On motion: 50%, without motion: 20%  Premium Edition: The luminaires come with a factory preset dimming profile: First 2 Hrs - On motion: 100%, without motion: 30%; Next 3 Hrs - On motion: 60%, without motion: 20%; Next 5 Hrs - On motion: 30%, without motion: 10%; Rest of the Night - On motion: 50%, without motion: 20%
<b>Grid Connection Type</b>	Off grid

### Other Specifications

<b>Housing</b>	Aluminum
<b>Color</b>	RAL 9006, others on request
<b>Mounting</b>	Post-top mounting
<b>Operating Temperature</b>	Charging temperature: 0°C to +55°C Discharging temperature: -20°C to +55°C
<b>Storage Temperature</b>	Within one month: -10°C to +35°C Within one year: -10°C to +25°C
<b>Environment</b>	Outdoor, IP66 / IK07
<b>Lumen Maintenance</b>	5 years warranty version: L70 - 100000 hours
<b>Safety Approval</b>	CB, ROHS

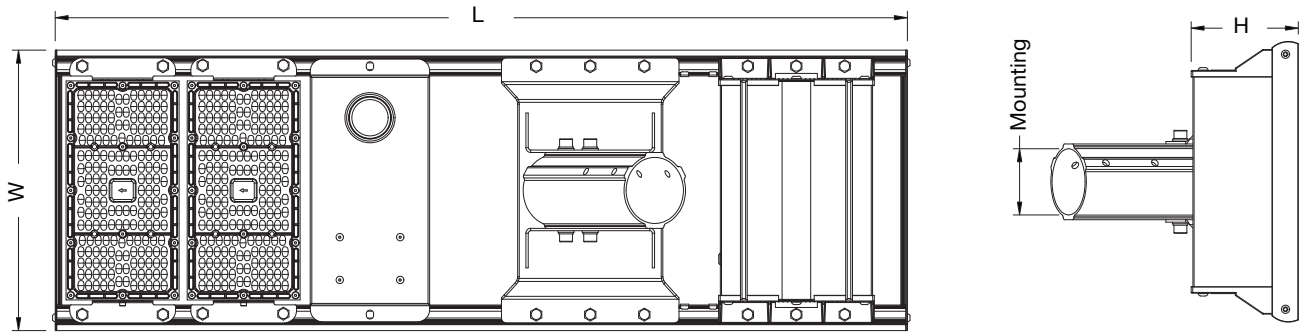
Due to the special conditions of manufacturing process of LED, the typical data of technical parameters can only reflect statistical figures and do not necessarily correspond to the actual parameters of each single product which could differ from typical data.

Exceeding maximum ratings for operation voltage will cause hazardous overload and will likely destroy the LED module.

Exceeding maximum ratings for operation and storage temperature will reduce expected life time or destroy the LED module.

V1.0 05/24: Official authorized licensee of the OSRAM trademark.  
Specifications are subject to change without notice. Errors and omission excepted, always make sure to use the most recent release.

# SIMPLITZ® Solar Streetlight Integrated Dimension



## General Edition Dimensions (Unit: mm)

Power (Max)	30W	40W	50W	70W	85W	100W
L	500	680	800	1050	1300	1450
W	356	356	356	356	356	356
H	130	130	130	130	130	130
Mounting	82	82	82	82	82	82

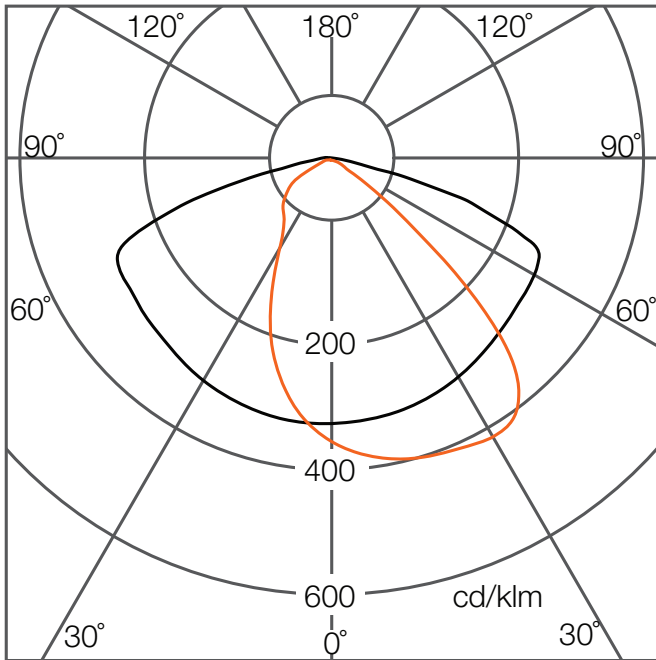
## Premium Edition Dimensions (Unit: mm)

Power (Max)	30W	40W	50W	70W	85W	100W
L	800	1300	1450	1150	1300	1700
W	356	356	356	520	520	520
H	130	130	130	130	130	130
Mounting	82	82	82	82	82	82

# SIMPLITZ® Solar Streetlight Integrated

## Photometrics

SMB (150° x 70°)



Due to the manufacturing processes of LED, the polar candela distribution and distance luminaries only reflect statistical figures and do not necessarily correspond to the actual parameters of individual product that may differ from the typical values.

V1.0 05/24· Official authorized licensee of the OSRAM trademark.  
Specifications are subject to change without notice. Errors and omission excepted, always make sure to use the most recent release.

# SIMPLITZ® Solar Streetlight Integrated

## Product Configurator

### Fixtures

#### SIM Solar ST Integrated 30W 757

SIM Solar ST Integrated	Power	CRI-CCT	Edition
	30W	730: Ra 70, 3000K	Blank: General Edition
	40W	740: Ra 70, 4000K	Pro: Premium Edition
	50W	757: Ra 70, 5700K	
	70W		
	85W		
	100W		

## Ordering Codes

### Fixtures - General Edition

Short Text	Power	CCT	Beam Angle	Material
SIM Solar ST Integrated 30W 730 VS1 OSRAM	30W	3000K	SMB (150° x 70°)	GL24100699655
SIM Solar ST Integrated 30W 740 VS1 OSRAM	30W	4000K	SMB (150° x 70°)	GL24100699755
SIM Solar ST Integrated 30W 757 VS1 OSRAM	30W	5700K	SMB (150° x 70°)	GL24100699855
SIM Solar ST Integrated 40W 730 VS1 OSRAM	40W	3000K	SMB (150° x 70°)	GL24100699955
SIM Solar ST Integrated 40W 740 VS1 OSRAM	40W	4000K	SMB (150° x 70°)	GL24100700055
SIM Solar ST Integrated 40W 757 VS1 OSRAM	40W	5700K	SMB (150° x 70°)	GL24100700155
SIM Solar ST Integrated 50W 730 VS1 OSRAM	50W	3000K	SMB (150° x 70°)	GL24100700255
SIM Solar ST Integrated 50W 740 VS1 OSRAM	50W	4000K	SMB (150° x 70°)	GL24100700355
SIM Solar ST Integrated 50W 757 VS1 OSRAM	50W	5700K	SMB (150° x 70°)	GL24100700455
SIM Solar ST Integrated 70W 730 VS1 OSRAM	70W	3000K	SMB (150° x 70°)	GL24100700555
SIM Solar ST Integrated 70W 740 VS1 OSRAM	70W	4000K	SMB (150° x 70°)	GL24100700655
SIM Solar ST Integrated 70W 757 VS1 OSRAM	70W	5700K	SMB (150° x 70°)	GL24100700755
SIM Solar ST Integrated 85W 730 VS1 OSRAM	85W	3000K	SMB (150° x 70°)	GL24100700855
SIM Solar ST Integrated 85W 740 VS1 OSRAM	85W	4000K	SMB (150° x 70°)	GL24100700955
SIM Solar ST Integrated 85W 757 VS1 OSRAM	85W	5700K	SMB (150° x 70°)	GL24100701055
SIM Solar ST Integrated 100W 730 VS1 OSRAM	100W	3000K	SMB (150° x 70°)	GL24100701155
SIM Solar ST Integrated 100W 740 VS1 OSRAM	100W	4000K	SMB (150° x 70°)	GL24100701255
SIM Solar ST Integrated 100W 757 VS1 OSRAM	100W	5700K	SMB (150° x 70°)	GL24100701355

# SIMPLITZ® Solar Streetlight Integrated

## Ordering Codes

### Fixtures - Premium Edition

Short Text	Power	CCT	Beam Angle	Material
SIM Solar ST Integrated 30W 730 Pro VS1 OSRAM	30W	3000K	SMB (150° x 70°)	GL24100701455
SIM Solar ST Integrated 30W 740 Pro VS1 OSRAM	30W	4000K	SMB (150° x 70°)	GL24100701555
SIM Solar ST Integrated 30W 757 Pro VS1 OSRAM	30W	5700K	SMB (150° x 70°)	GL24100701655
SIM Solar ST Integrated 40W 730 Pro VS1 OSRAM	40W	3000K	SMB (150° x 70°)	GL24100701755
SIM Solar ST Integrated 40W 740 Pro VS1 OSRAM	40W	4000K	SMB (150° x 70°)	GL24100701855
SIM Solar ST Integrated 40W 757 Pro VS1 OSRAM	40W	5700K	SMB (150° x 70°)	GL24100701955
SIM Solar ST Integrated 50W 730 Pro VS1 OSRAM	50W	3000K	SMB (150° x 70°)	GL24100702055
SIM Solar ST Integrated 50W 740 Pro VS1 OSRAM	50W	4000K	SMB (150° x 70°)	GL24100702155
SIM Solar ST Integrated 50W 757 Pro VS1 OSRAM	50W	5700K	SMB (150° x 70°)	GL24100702255
SIM Solar ST Integrated 70W 730 Pro VS1 OSRAM	70W	3000K	SMB (150° x 70°)	GL24100702355
SIM Solar ST Integrated 70W 740 Pro VS1 OSRAM	70W	4000K	SMB (150° x 70°)	GL24100702455
SIM Solar ST Integrated 70W 757 Pro VS1 OSRAM	70W	5700K	SMB (150° x 70°)	GL24100702555
SIM Solar ST Integrated 85W 730 Pro VS1 OSRAM	85W	3000K	SMB (150° x 70°)	GL24100702655
SIM Solar ST Integrated 85W 740 Pro VS1 OSRAM	85W	4000K	SMB (150° x 70°)	GL24100702755
SIM Solar ST Integrated 85W 757 Pro VS1 OSRAM	85W	5700K	SMB (150° x 70°)	GL24100702855
SIM Solar ST Integrated 100W 730 Pro VS1 OSRAM	100W	3000K	SMB (150° x 70°)	GL24100702955
SIM Solar ST Integrated 100W 740 Pro VS1 OSRAM	100W	4000K	SMB (150° x 70°)	GL24100703055
SIM Solar ST Integrated 100W 757 Pro VS1 OSRAM	100W	5700K	SMB (150° x 70°)	GL24100703155

